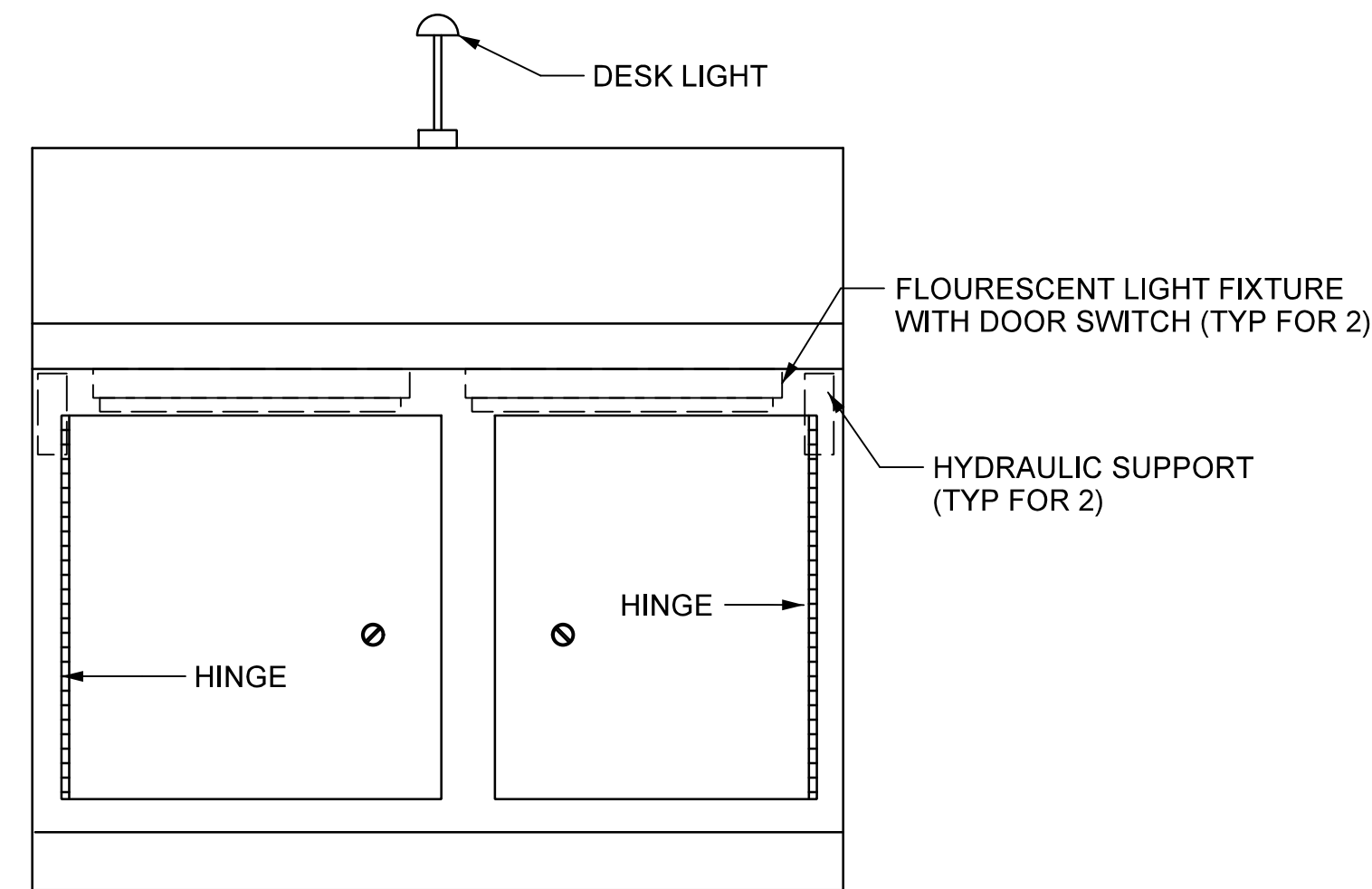
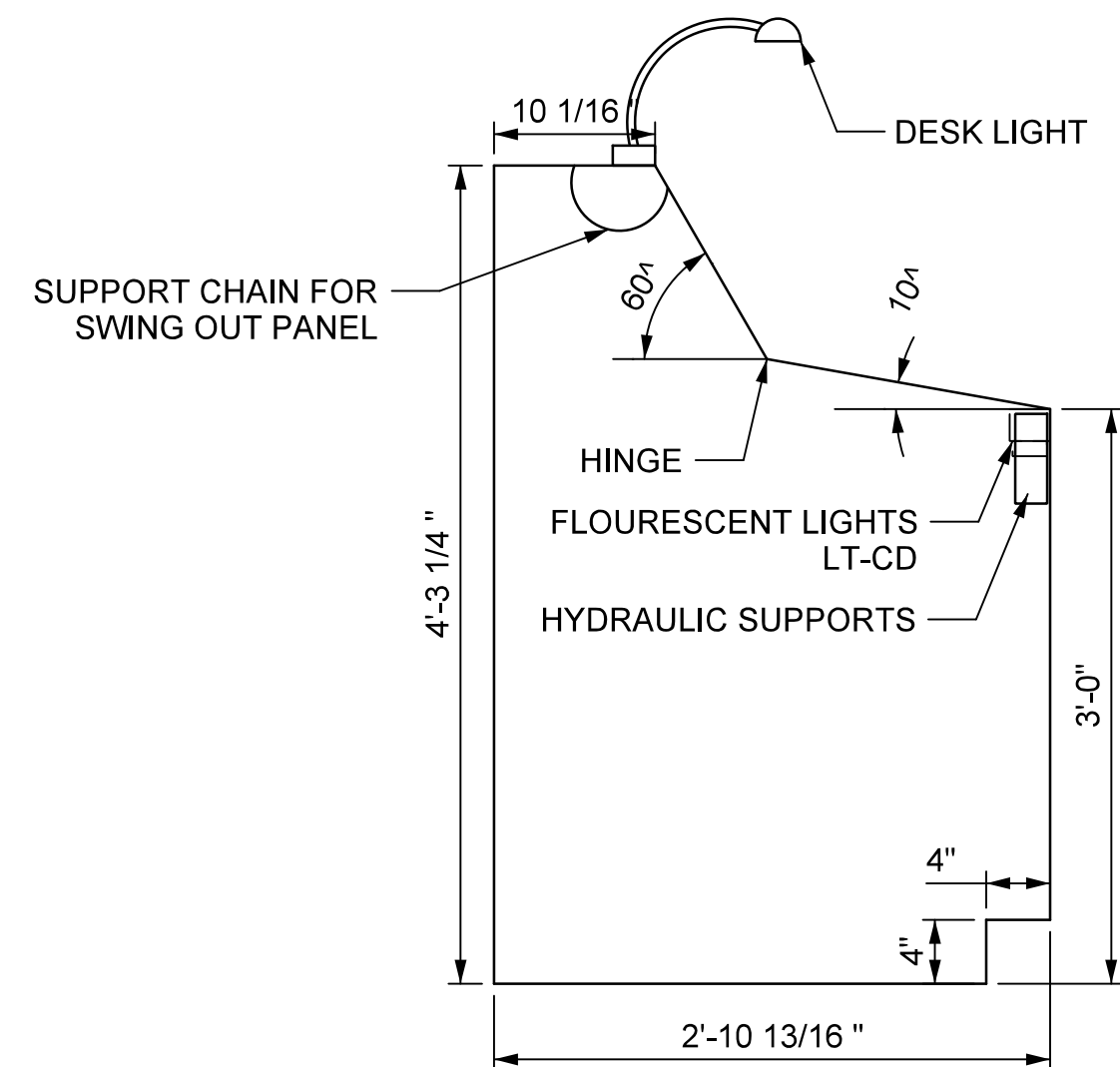


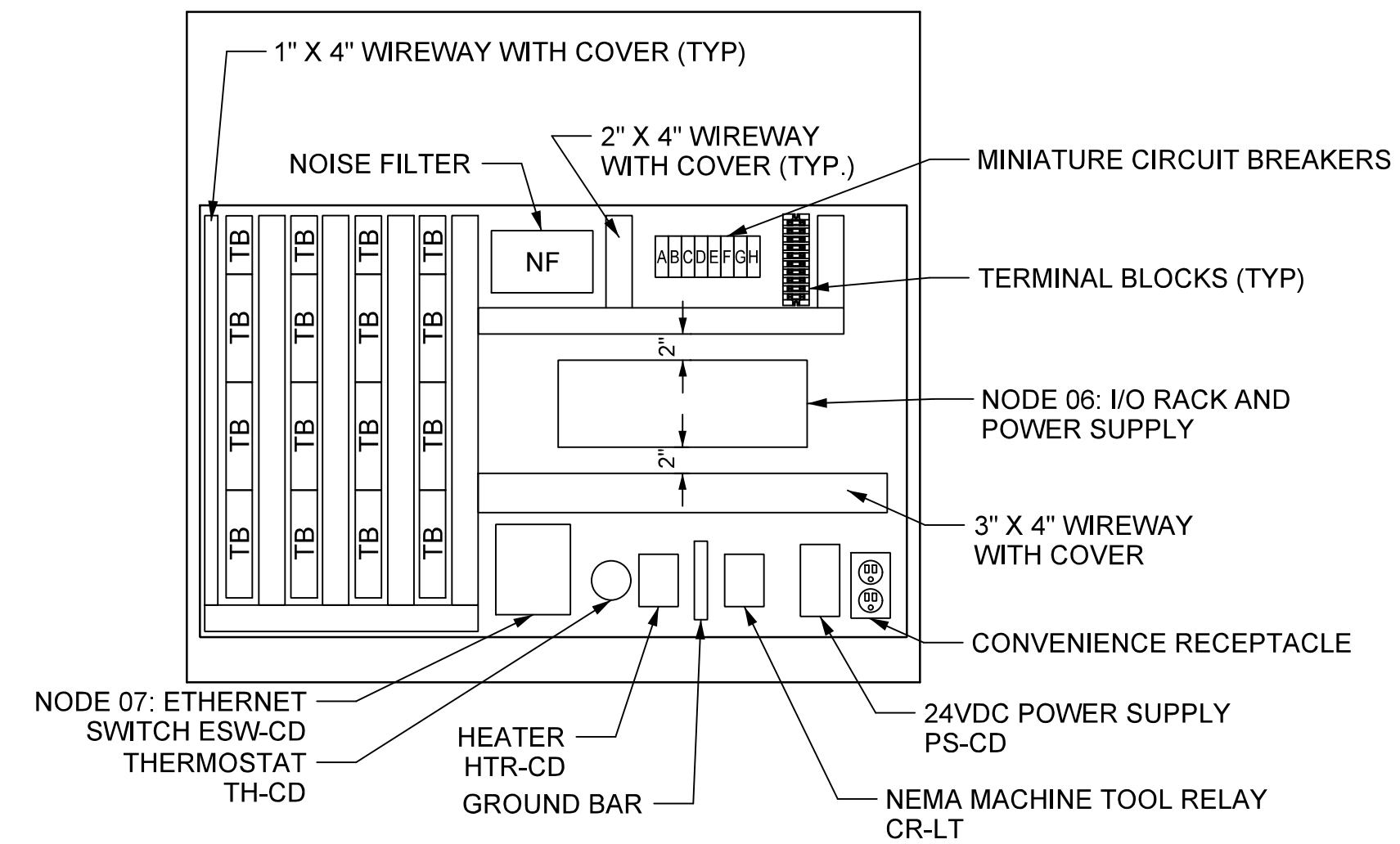
ELEVATION VIEW

SCALE: 1" = 1'-0"



CONTROL DESK FRONT VIEW

SCALE: 1" = 1'-0"



CONTROL DESK BACK PANEL LAYOUT

SCALE: 1" = 1'-0"

NOTES:

- FOR GENERAL ABBREVIATIONS SEE DWG. NO. E-2.
- DESK AND PINNACLE SHALL BE FABRICATED FROM 11 GAUGE STAINLESS STEEL WITH SATIN FINISH. SIDES TO BE 11 GAUGE PAINTED STEEL.
- THE CONTRACTOR SHALL USE THE LAYOUT VIEW AS A GUIDE TO INSTALLING THE ELECTRICAL COMPONENTS. IF REQUIRED, THE CONTRACTOR SHALL RELOCATE COMPONENTS TO ALLOW FOR PROPER INSTALLATION OF THE COMPONENTS.
- ALL CORNERS AND EDGES SHALL BE ROUNDED AND SMOOTH.
- BOTTOM OF DESK TO BE OPEN EXCEPT FOR TWO INCH FLANGE FROM SIDES ALL AROUND PERIMETER. FASTEN CONTROL DESK TO FLOOR WITH 1/2" BOLTS THROUGH FLOOR. LEVEL DESK DURING INSTALLATION AND GROUT OR CAULK AROUND PERIMETER.
- PROVIDE 2 FLUORESCENT LIGHT FIXTURE INSIDE THE CONTROL DESK WITH STANDARD 18" BULB PROTECTED BY A CLEAR, NON YELLOWING PLASTIC LENS. LIGHTS SHALL BE AUTOMATICALLY CONTROLLED BY DOOR SWITCHES ACTIVATED BY EACH DOOR.
- PROVIDE DUPLEX RECEPTACLE 15 AMP, 125 VAC, FEDERAL SPEC GRADE INSTALLED IN STANDARD UTILITY BOX WITH METAL COVER PLATE.
- ACCESS DOORS SHALL BE PAN TYPE FLUSH WITH DESK SURFACE AND HAVE FLUSH HANDLES WITH 3-POINT LATCHES. THE DOORS SHALL BE LOCKABLE.
- INTERNAL COMPONENTS SHALL BE MOUNTED ON BACK PANELS. BUSHED OPENINGS SHALL BE PROVIDED FOR CONDUCTORS ACCESS. FIELD CONNECTIONS TO CONTROL RELAYS AND PILOT DEVICES SHALL BE BY MEANS OF TERMINAL BLOCKS WITHIN THE ENCLOSURE.
- CONTROL SWITCHES, PUSHBUTTONS, INDICATING LIGHTS AND OTHER EQUIPMENT MOUNTED ON THE CONTROL DESK SHALL BE WIRED TO TERMINAL STRIPS.
- PROVIDE A SUPPORT CHAIN FOR THE SWING DOWN TOP PANEL.
- PROVIDE HYDRAULIC SUPPORTS FOR THE DESKTOP MAIN PANEL TO SUPPORT THE PANEL AND HOLD IT IN THE RAISE POSITION WHILE WORKING ON THE PANEL. THE HYDRAULIC SUPPORTS SHALL BE MOUNTED ON BOTH SIDES OF THE DESK AND RETRACT TO ALLOW THE DESKTOP TO BE CLOSED.
- ALL NAMEPLATES SHALL BE WHITE WITH BLACK LETTERS, AS SPECIFIED IN THE SPECIAL PROVISIONS, EXCEPT AS NOTED.
- DEVICE ALPHA-NUMERIC IDENTIFIER IS SHOWN ON THE LAYOUT FOR CLARIFICATION AND SHALL NOT BE ENGRAVED ON THE DESK OR NAMEPLATES.
- CONTINUOUS HINGE SHALL BE FURNISHED AND INSTALLED ON THE CONTROL DESK TOP AND DOORS. SEE SPECIFICATIONS FOR FURTHER DETAILS.
- SEE ETHERNET SCHEMATIC LAYOUT ON SHEET E-29 FOR THE NODE MODULE DETAILS.

BILL OF MATERIAL

TAG	QTY	MODEL NUMBER	DESCRIPTION
NODE 06: I/O RACK	1	1756-A10	10 SLOT RACK
-	1	1756-PA/72C	POWER SUPPLY FOR RACK
-	2	1756-IA16	16 DISCRETE INPUTS, 120VAC
-	3	1756-OA16	16 DISCRETE OUTPUTS, 120VAC
-	1	1756-OF8C1	6 ANALOG OUTPUTS
-	1	1756-EN2T	10/100MBPS & 128 TCP/IP CONNECTIONS & 256 LOGIX CONNECTIONS
-	1	1756-N2	FILLER FOR EMPTY RACK SLOT
TB	AS REQUIRED	1492 SERIES	ALLEN BRADLEY TERMINAL BLOCKS
ESW-CD	1	STRATIX 5700 1783-BMS10CGP	10 PORT ETHERNET SWITCH WITH 2 SFP ADAPTER TO CONNECT DIRECTLY TO THE FIBER LINE
PS-CD	1	1606-XLP9SE	ALLAN BRADLEY COMPACT SWITCHED MODE POWER SUPPLIES 24VDC
REC-CD	1	1SNAB92461R1500	ABB CONTROL INC. RECEPTACLE
-	1	ECB10	SIEMENS ENERGY AND AUTOMATION GROUND BAR
TH-CD	1	1711000010	PFANNENBERG THERMOSTAT
-	AS REQUIRED	-	PVC WIREWAY 2 INCH WIDE 4 INCH DEEP WITH COVERS
LT-CD	2	-	PANEL MOUNTED FLUORESCENT LIGHT WITH DOOR SWITCH
HTR-CD	1	1701S00S007	PFANNENBERG 1SOW RADIANT HEATER
CD	-	-	CUSTOM 11 GAUGE STEEL GASKETED ENCLOSURE
CB-CD1	1	1489-A1C005	ALLEN BRADLEY 1 POLE CIRCUIT BREAKER 5A
TO	-	-	-
CB-CD8	1	1489-A1C005	ALLEN BRADLEY 1 POLE CIRCUIT BREAKER 5A

CIRCUIT BREAKER IDENTIFICATION

A	CB-CD-1
B	CB-CD-2
C	CB-CD-3
D	CB-CD-4
E	CB-CD-5
F	CB-CD-6
G	CB-CD-7
H	CB-CD-8

DRAWN BY: _QIV DATE: 8/8/2016
 CHECKED BY: _MJT DATE: 8/8/2016
 DESIGN ENGINEER OF RECORD: _CHS DATE: 8/8/2016

* EXCLUDING PLC EQUIPMENT. MODEL NUMBER PARTS ARE THE RECOMMENDED PARTS AND MAY BE REPLACED WITH APPROVED EQUAL.

DWG NUMBER	TOTAL DWGS	DOCUMENT NOT CONSIDERED FINAL UNLESS ALL SIGNATURES COMPLETED	NO. BY: DATE:	NO. BY: DATE:	SHEET NO. E-24
40	90		1 1 1	3 4 4	TOTAL SHEETS 51

PROJECT NO. B-5936
TYRRELL COUNTY
 BRIDGE NO: 7

STATE OF NORTH CAROLINA
 DEPARTMENT OF TRANSPORTATION
 RALEIGH

**CONTROL DESK:
 INTERIOR & LAYOUT**

**ALLIGATOR RIVER
 SWING SPAN**

REVISIONS

SEAL
 036065
 SCOTT A. REYNOLDS
 PROFESSIONAL ENGINEER

