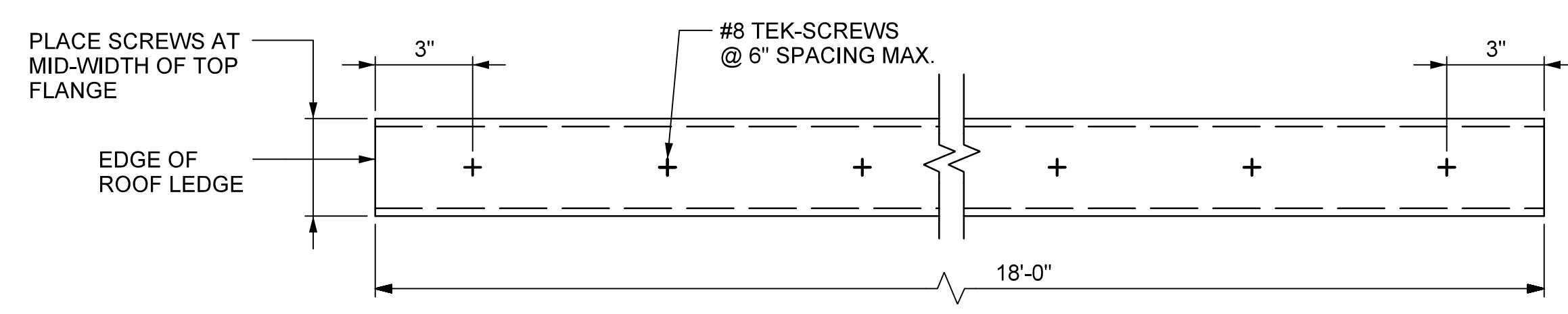


PLAN VIEW OF PURLINS AT ROOF LEVEL

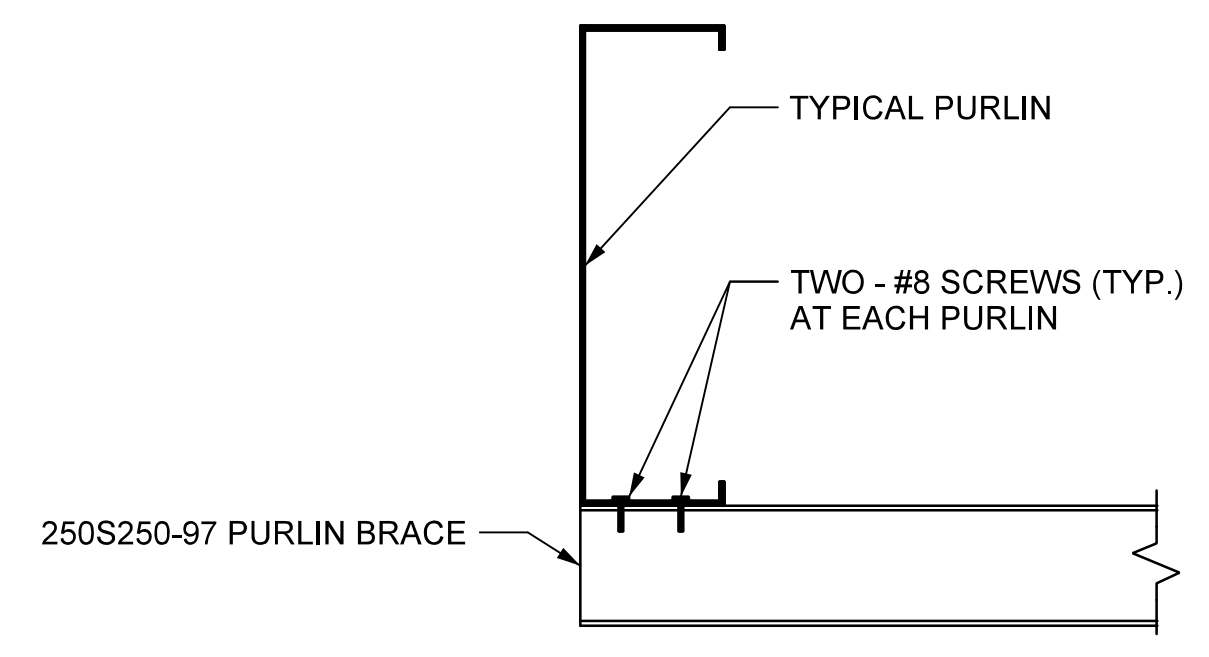
SCALE: 1/2" = 1'-0"



DETAIL 4 - METAL ROOF TO PURLIN CONNECTION AT ALL PURLINS

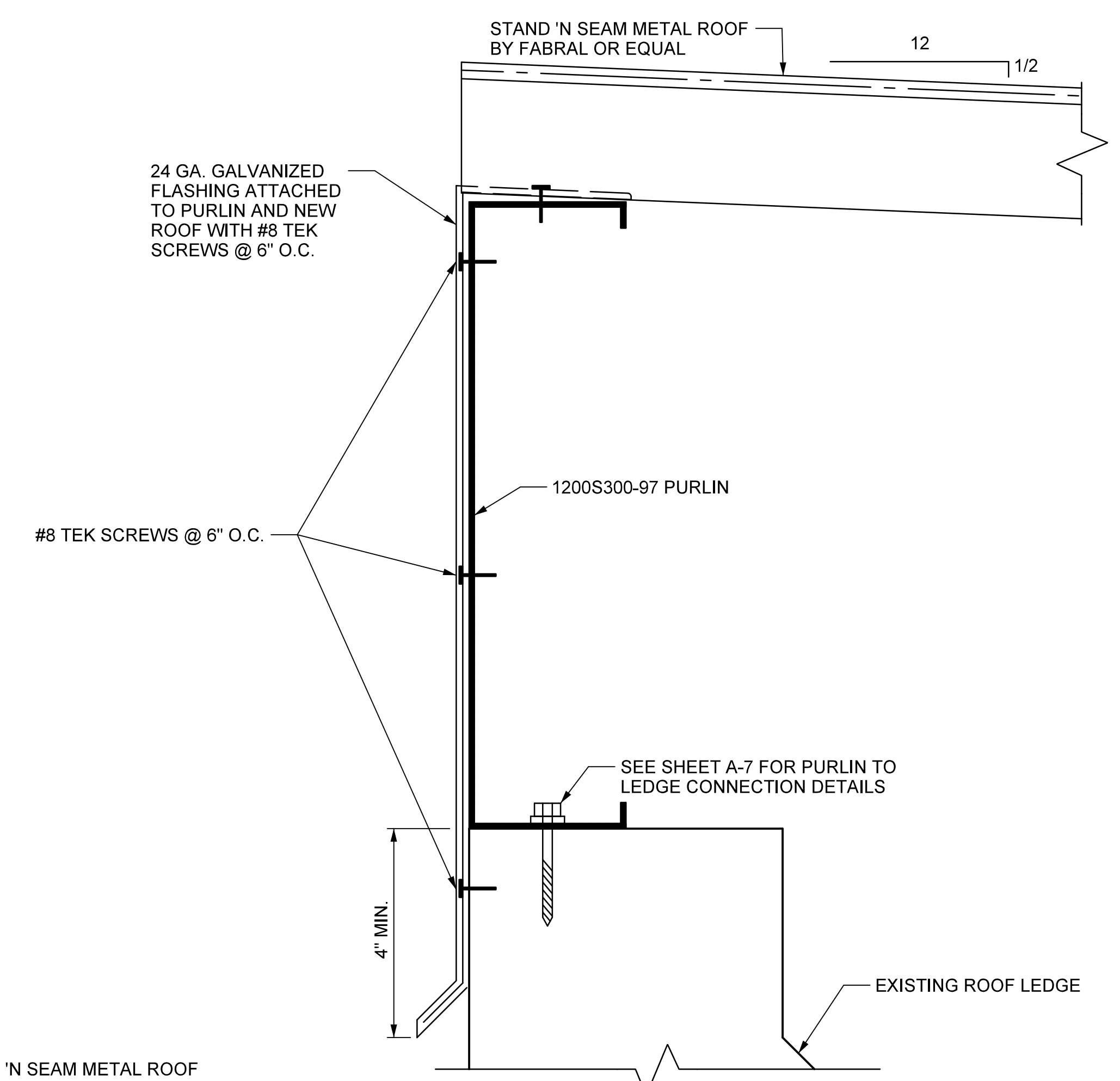
SCALE: 3" = 1'-0"

NOTE: PLACE SCREWS TO AVOID ROOF SEAMS AND FLASHING CONNECTIONS



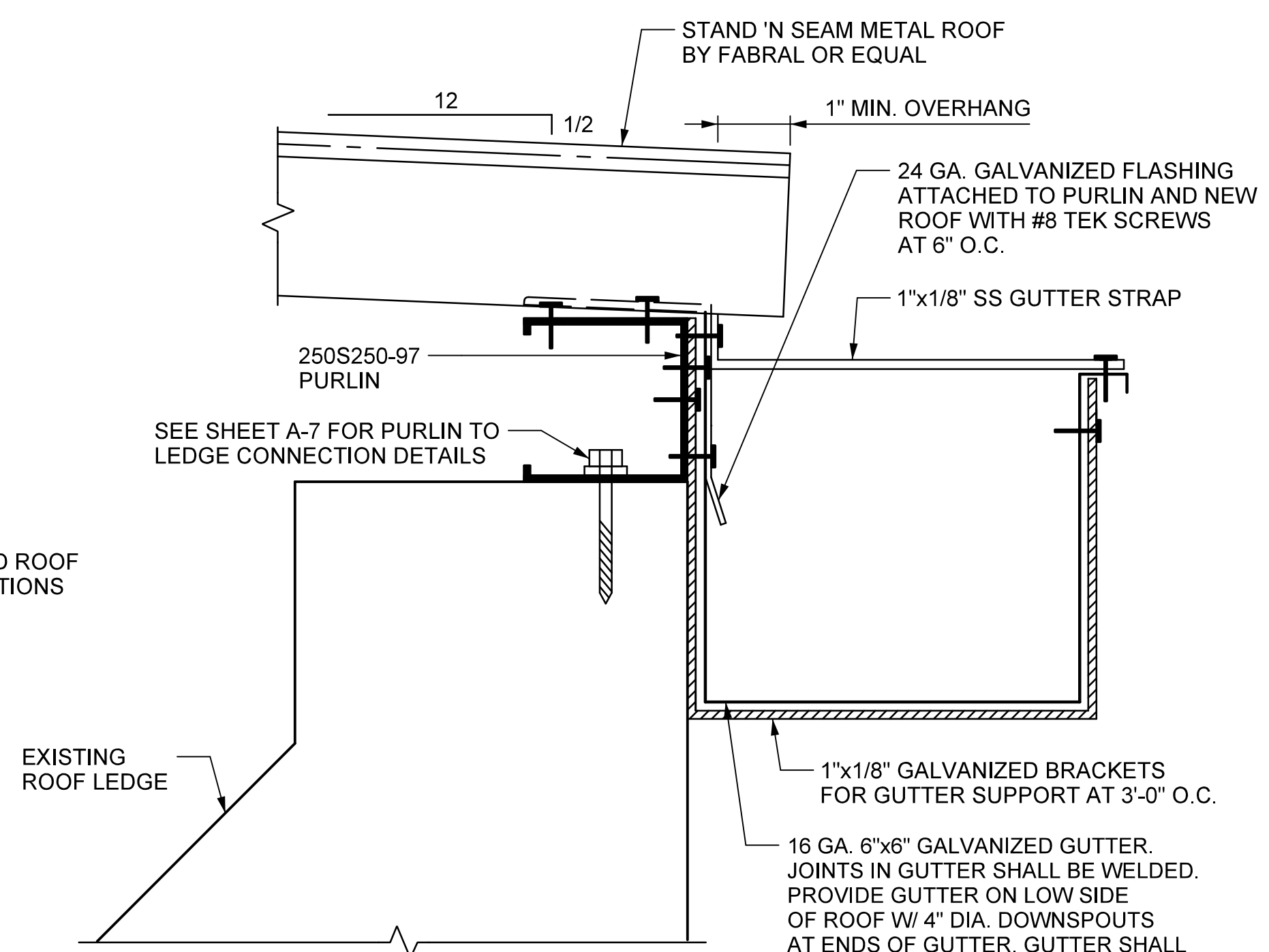
DETAIL 2

SCALE: 3" = 1'-0"



DETAIL 1

SCALE: 6" = 1'-0"



DETAIL 3

SCALE: 6" = 1'-0"

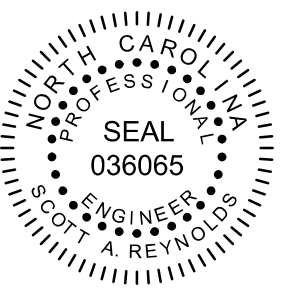
PROJECT NO. B-5936
TYRRELL COUNTY
 BRIDGE NO: 7

STATE OF NORTH CAROLINA
 DEPARTMENT OF TRANSPORTATION
 RALEIGH

PROPOSED ROOF DETAILS - 2

ALLIGATOR RIVER SWING SPAN

DocuSigned by:
 Scott Reynolds
 036065
 9/14/2016



DRAWN BY: _CEM DATE: 8/8/2016
 CHECKED BY: _DMM DATE: 8/8/2016
 DESIGN ENGINEER OF RECORD: _AR DATE: 8/8/2016

DWG NUMBER	TOTAL DWGS	DOCUMENT NOT CONSIDERED FINAL UNLESS ALL SIGNATURES COMPLETED	NO.	BY:	DATE:	NO.	BY:	DATE:	SHEET NO.
9	90		1			3			A-6
			2			4			TOTAL SHEETS 10