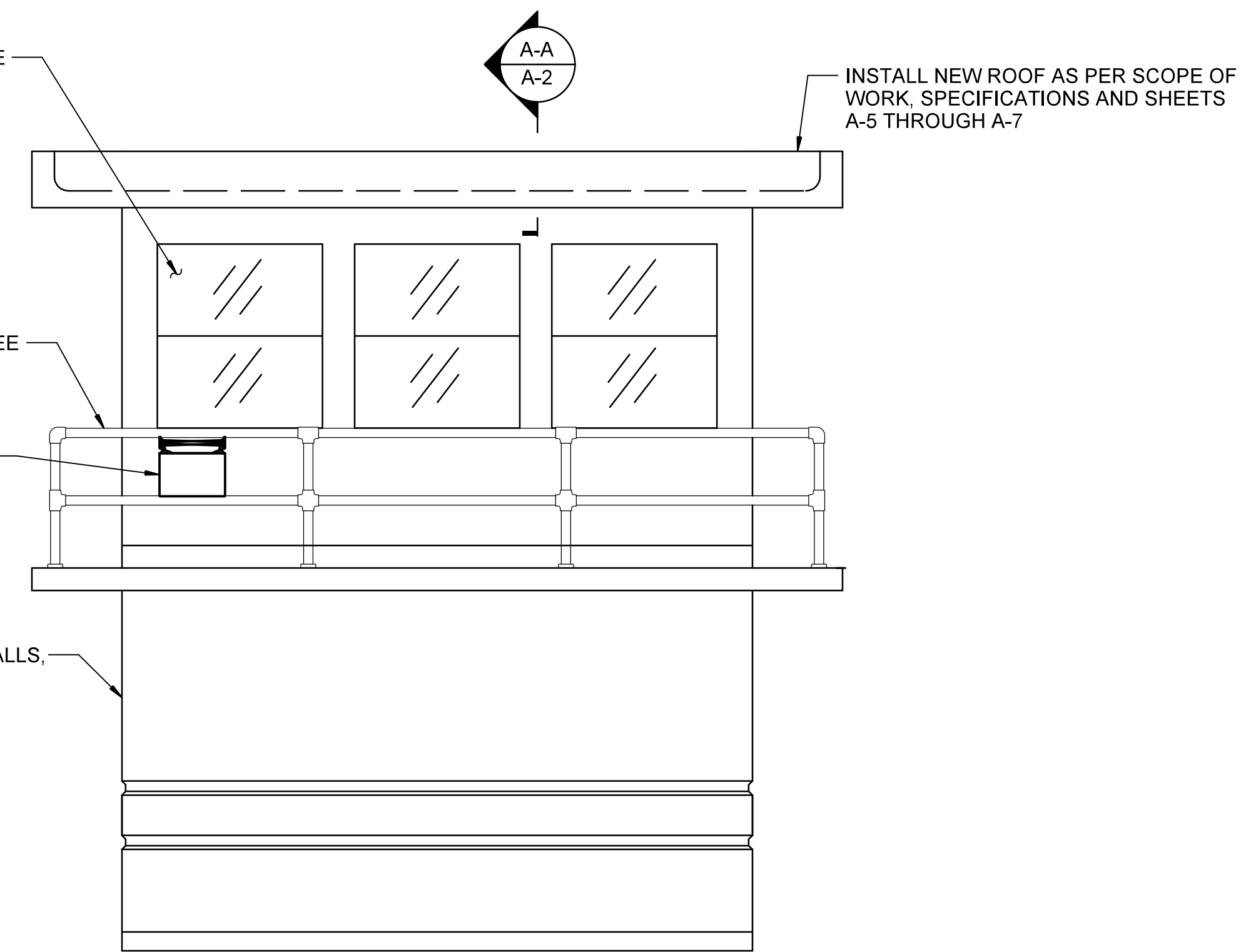
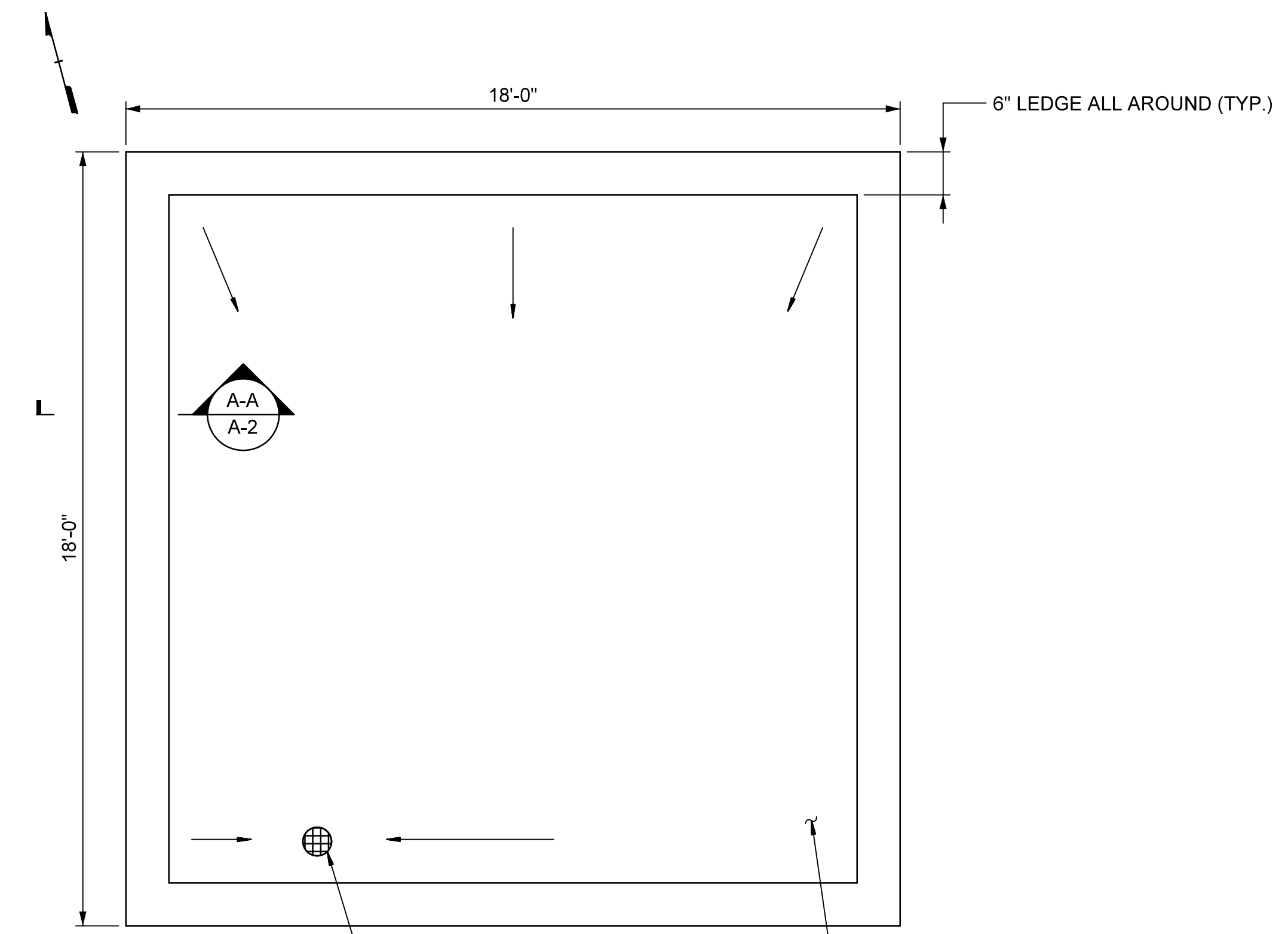


SOUTH ELEVATION
SCALE: 3/8" = 1'-0"



EAST ELEVATION
SCALE: 3/8" = 1'-0"



EXISTING ROOF PLAN
SCALE: 3/8" = 1'-0"

PROJECT NO. B-5936
TYRRELL COUNTY
BRIDGE NO: 7

STATE OF NORTH CAROLINA
DEPARTMENT OF TRANSPORTATION
RALEIGH

EXISTING CONTROL HOUSE DETAILS - 2

ALLIGATOR RIVER SWING SPAN

DRAWN BY: _CEM DATE: 8/8/2016
CHECKED BY: _DMM DATE: 8/8/2016
DESIGN ENGINEER OF RECORD: _AR DATE: 8/8/2016

DWG NUMBER 6 TOTAL DWGS 90

DOCUMENT NOT CONSIDERED FINAL UNLESS ALL SIGNATURES COMPLETED

REVISIONS						SHEET NO.
NO	BY	DATE	NO	BY	DATE	
1			3			TOTAL SHEETS
2			4			10

DocuSigned by:
Scott Reynolds
BFECS7209F14B0...

9/14/2016

HH Hardesty & Hanover
engineering that moves you

SEAL
036065
ENGINEER
SCOTT A. REYNOLDS