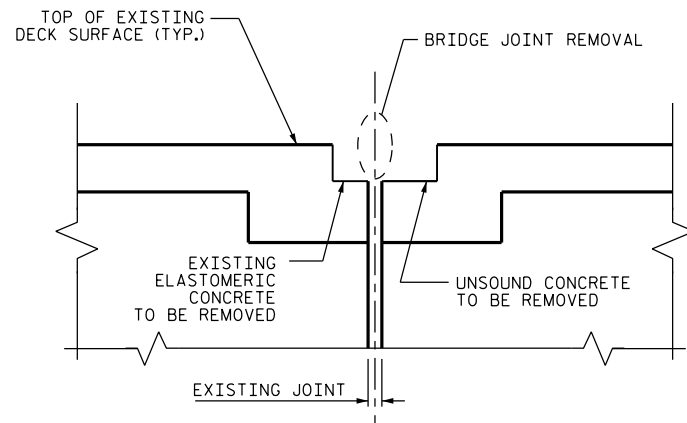
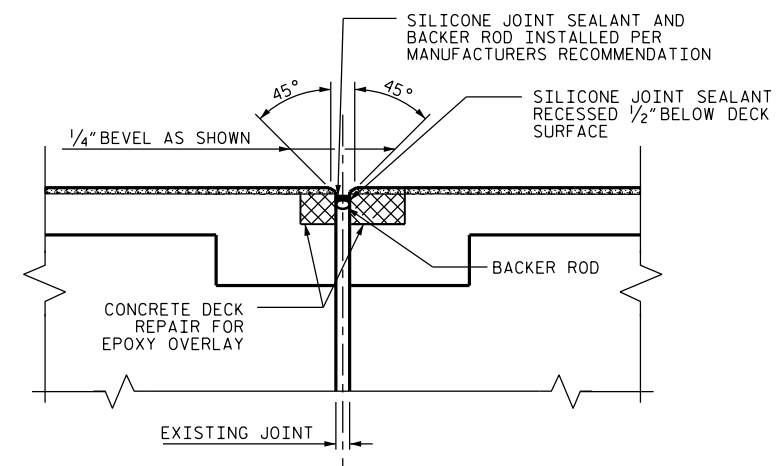


EXISTING

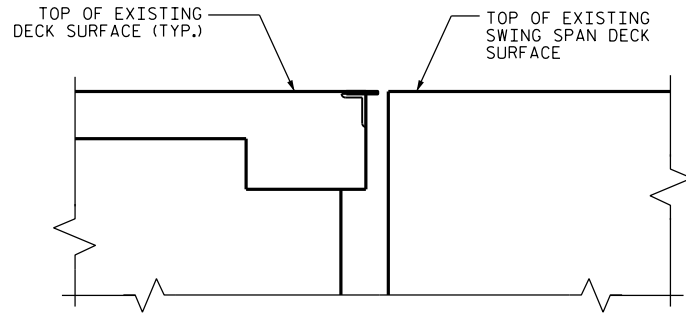


MINIMUM EXISTING JOINT DEMOLITION

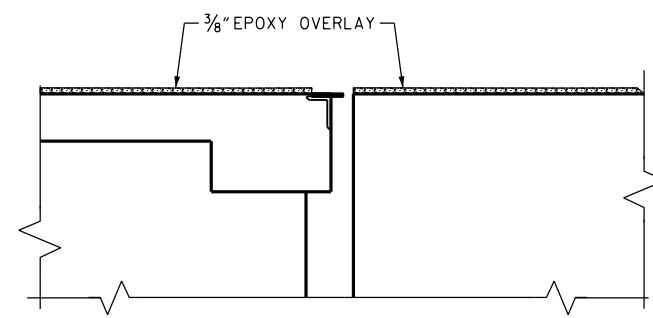


PROPOSED JOINT

SECTION C-C

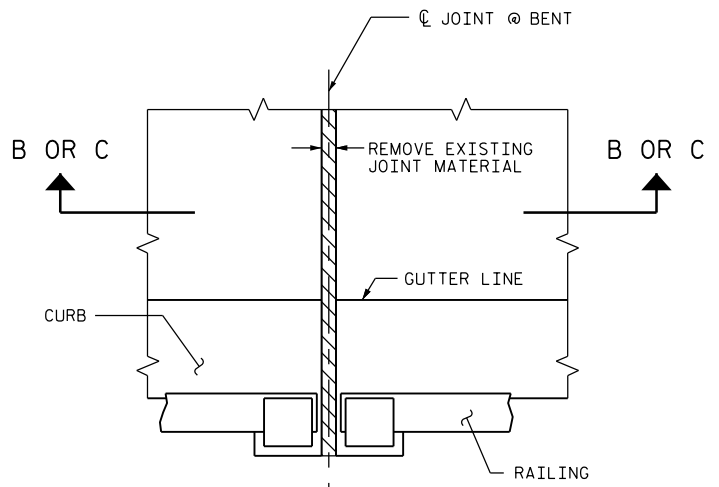


EXISTING

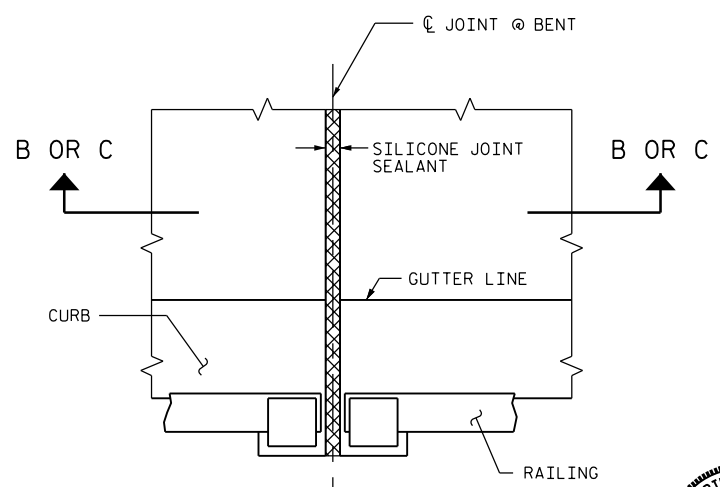


PROPOSED

SECTION D-D



EXISTING



PROPOSED SILICONE JOINT

JOINT SEAL DETAILS AT BENT

PROJECT NO. B-5936
TYRRELL COUNTY
 BRIDGE NO. 7

SHEET 2 OF 2

STATE OF NORTH CAROLINA
 DEPARTMENT OF TRANSPORTATION
 RALEIGH

**SUPERSTRUCTURE
 JOINT DETAILS**



DocuSigned by:
Robbie Weisz
 8/10/2016

CEA153463B6D43D
 DOCUMENT NOT CONSIDERED
 FINAL UNLESS ALL
 SIGNATURES COMPLETED

REVISIONS						SHEET NO.
NO.	BY:	DATE:	NO.	BY:	DATE:	S-11
1			3			TOTAL SHEETS
2			4			394

DRAWN BY : S. T. SANDOR DATE : 05/2016
 CHECKED BY : R. N. WEISZ DATE : 05/2016

15-JUL-2016 09:13
 R:\Structures\401.017_B5936_SMU_S10_S-11_JT.DGN
 ssandor