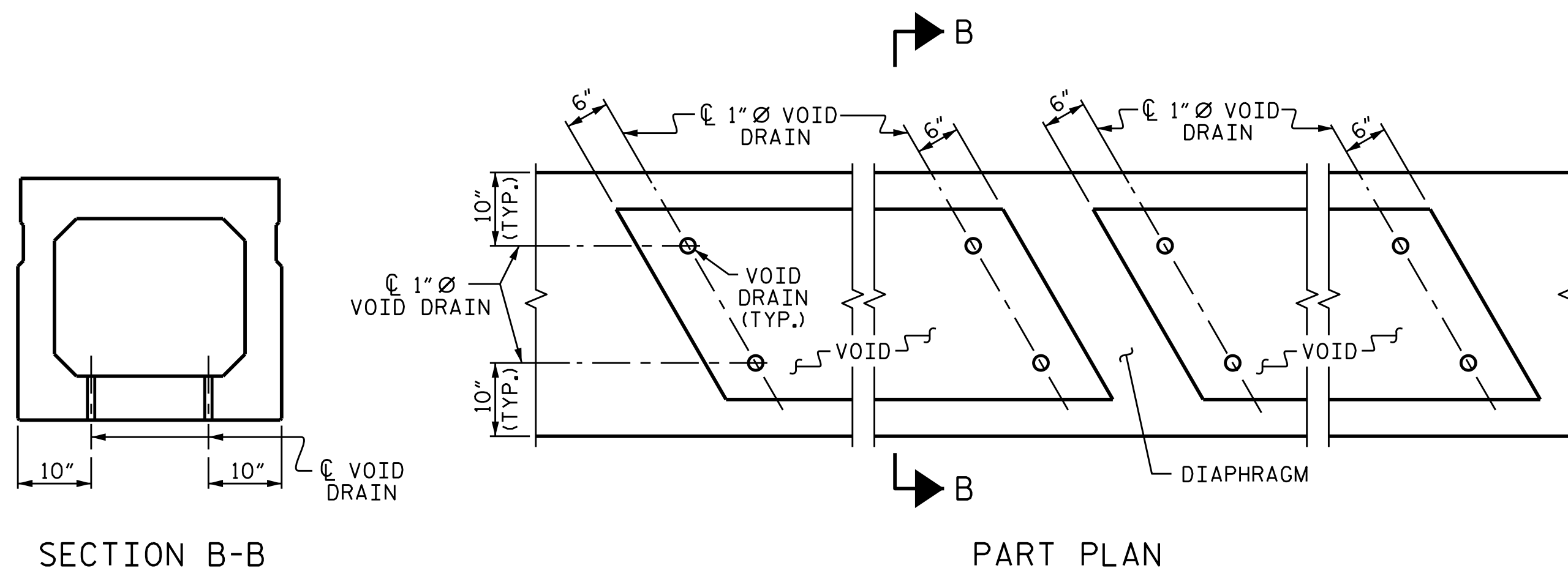


**DOUBLE DIAPHRAGM DETAILS**

#4 "S" BARS NOT SHOWN. #4 "S" BARS MAY BE SHIFTED SLIGHTLY TO CLEAR 2 1/2" Ø HOLE.

**GRouted RECESS DETAIL AT END OF POST-TENSIONED STRANDS OF EXTERIOR BOX BEAM**



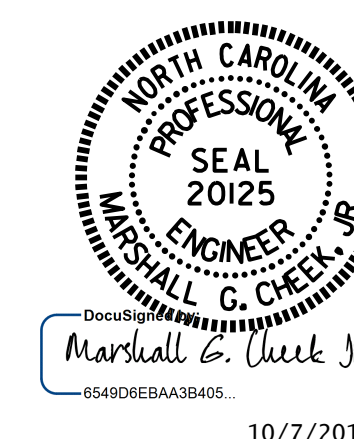
**VOID DRAIN DETAILS**  
(DIMENSIONS SHOWN ARE TYPICAL FOR EACH VOID)

| DEAD LOAD DEFLECTION AND CAMBER            |                    |
|--|--------------------|
| 80' BOX BEAM UNIT                          | 3'-0" x 2'-9"      |
|  | 0.6" Ø L.R. STRAND |
| CAMBER (SLAB ALONE IN PLACE)               | 1 3/4" ↑           |
| DEFLECTION DUE TO SUPERIMPOSED DEAD LOAD** | 1/2" ↓             |
| FINAL CAMBER                               | 1 1/4" ↑           |

\*\* INCLUDES FUTURE WEARING SURFACE

PROJECT NO. B-4814  
SAMPSON COUNTY  
 STATION: 21+15.00 -L-

SHEET 4 OF 5



STATE OF NORTH CAROLINA  
 DEPARTMENT OF TRANSPORTATION  
 RALEIGH  
 STANDARD  
 3'-0" X 2'-9"  
 PRESTRESSED CONCRETE  
 BOX BEAM UNIT

ASSEMBLED BY: R. CAREATHERS/MP DATE: 6/3/15  
 CHECKED BY: M.D.PISO DATE: 6/25/15  
 DRAWN BY: DGE II/II REV. 8/14 MAA/TMG  
 CHECKED BY: TMG II/II

DOCUMENT NOT CONSIDERED  
 FINAL UNLESS ALL  
 SIGNATURES COMPLETED

| REVISIONS |     |       |     |     |       | SHEET NO.    |
|-----------|-----|-------|-----|-----|-------|--------------|
| NO.       | BY: | DATE: | NO. | BY: | DATE: | TOTAL SHEETS |
| 1         |     |       | 3   |     |       | S3-8         |
| 2         |     |       | 4   |     |       | 46           |

STR. #3

STD.NO.33PCBB5\_75S