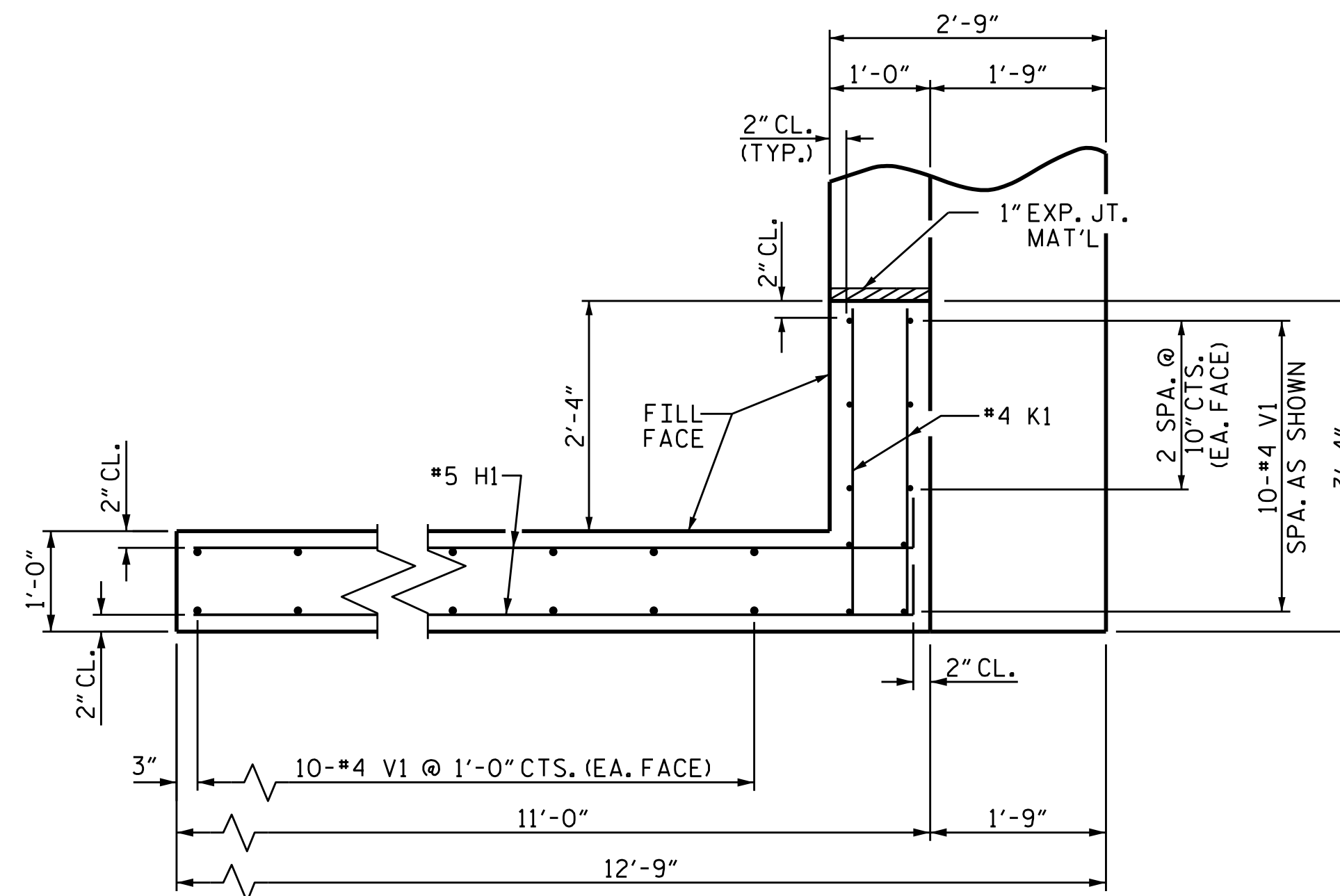
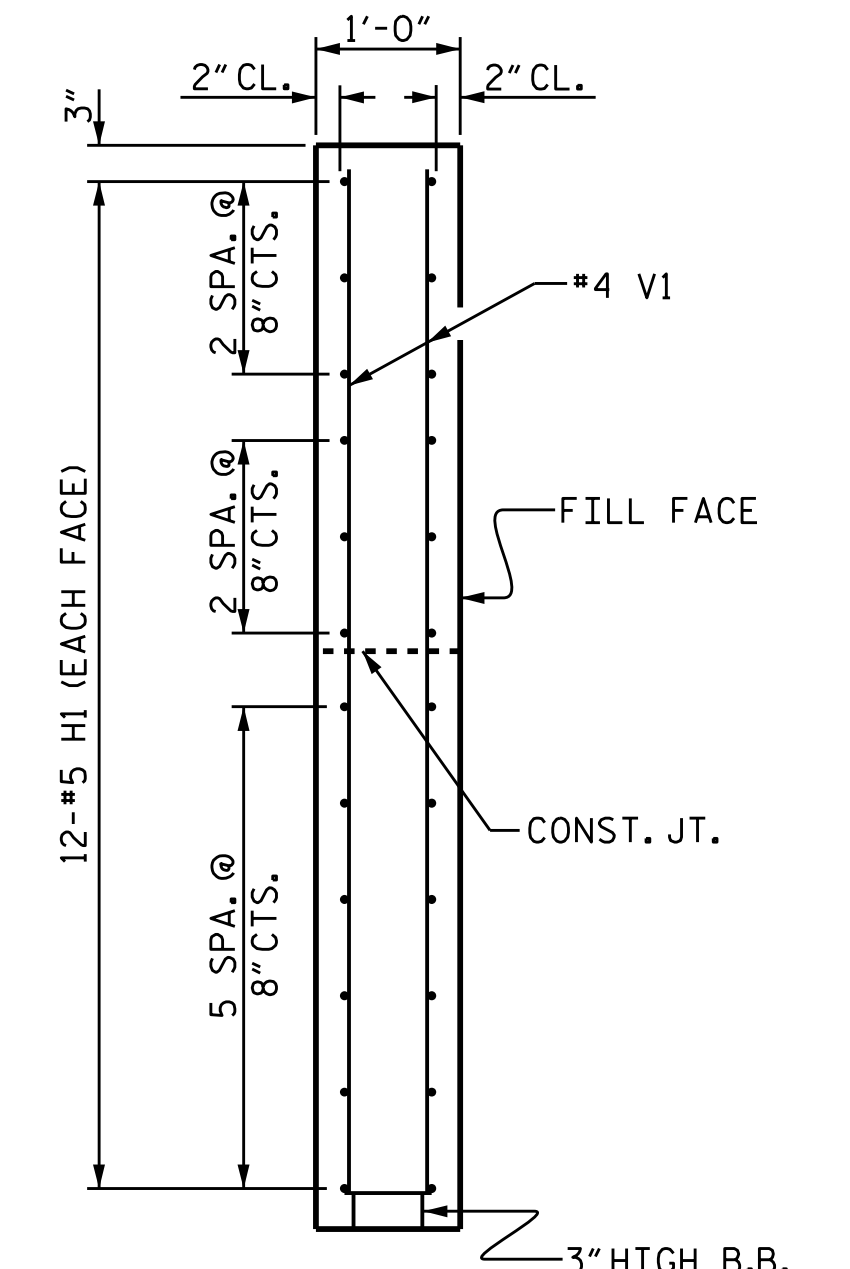


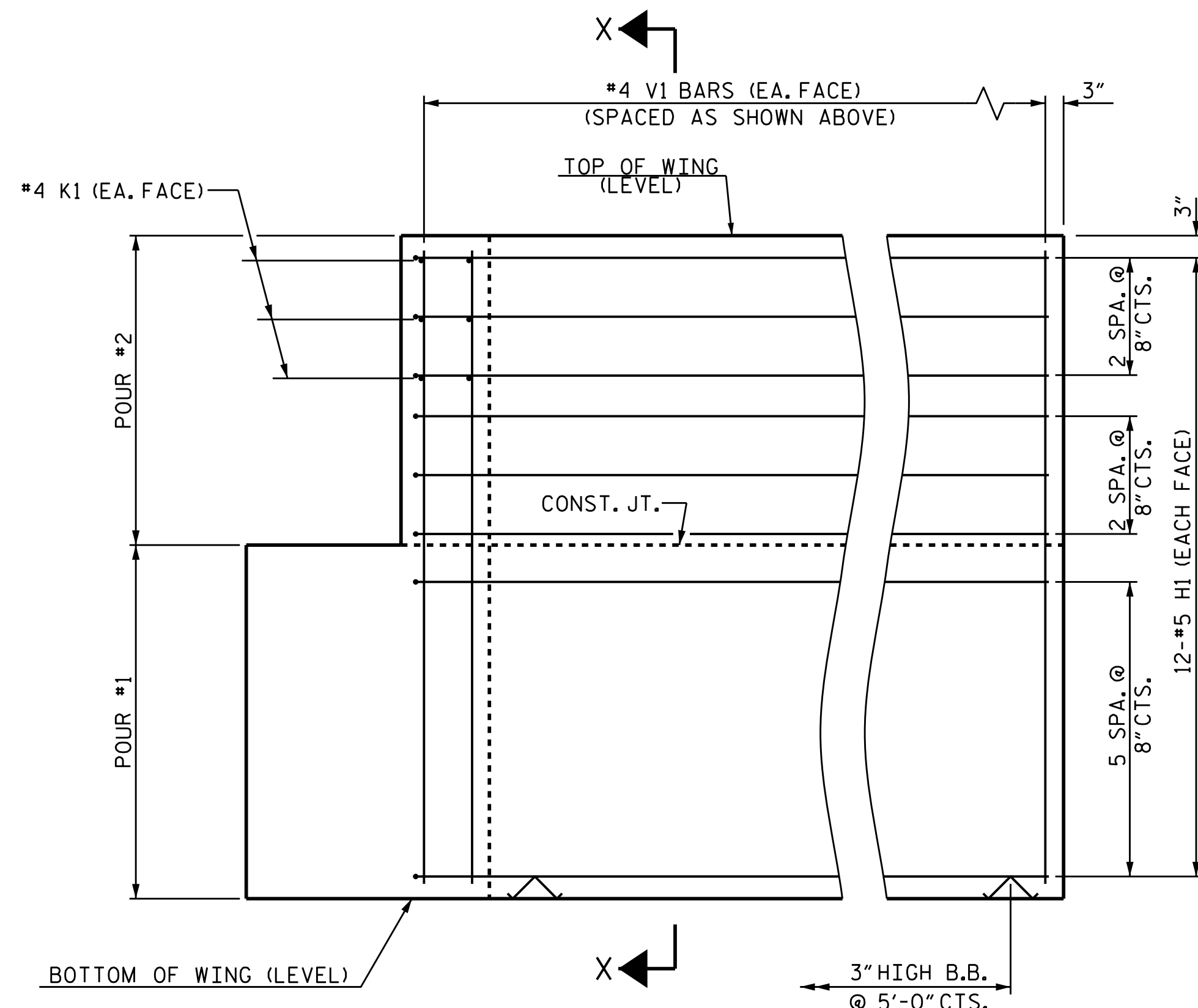
PLAN OF WING (W1)



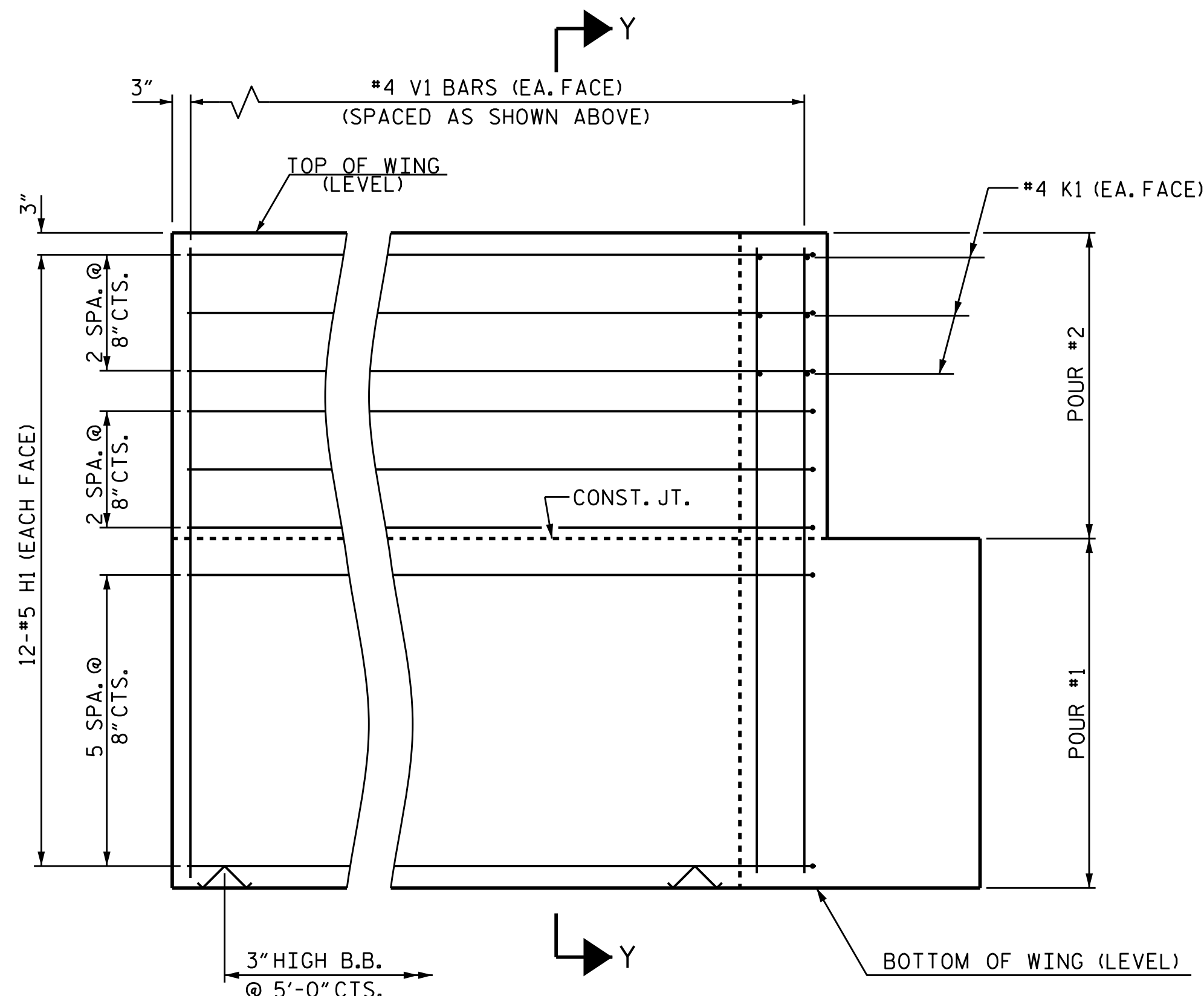
PLAN OF WING (W2)



SECTION X-X

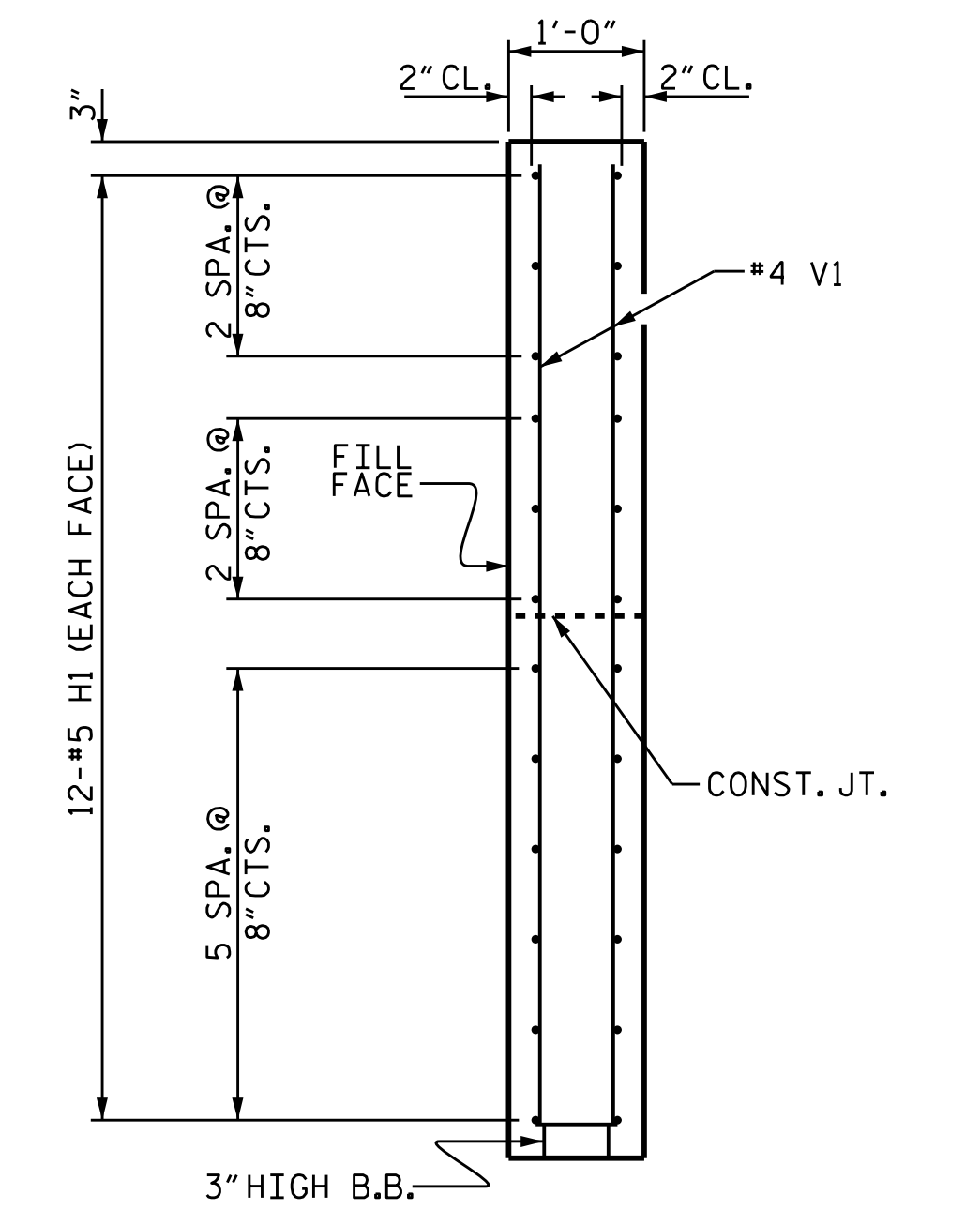


ELEVATION OF WING (W1)



ELEVATION OF WING (W2)

WING DETAILS



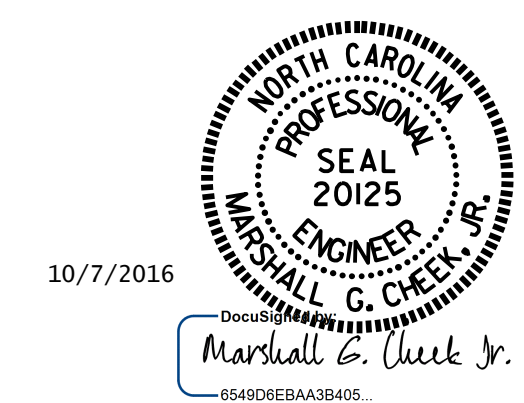
SECTION Y-Y

PROJECT NO. B-4814  
 SAMPSON COUNTY  
 STATION: 17+71.00 -L-

SHEET 3 OF 4

STATE OF NORTH CAROLINA  
 DEPARTMENT OF TRANSPORTATION  
 RALEIGH

SUBSTRUCTURE  
 END BENT  
 WING DETAILS



ASSEMBLED BY : R. CAREATHERS/MP	DATE : 6/3/15
CHECKED BY : M. PISO	DATE : 6/17/15
DRAWN BY : WJH 12/11	REV. 4/15
CHECKED BY : AAC 12/11	MAA/TMG

REVISIONS						SHEET NO.
NO.	BY:	DATE:	NO.	BY:	DATE:	S2-13
1			3			TOTAL SHEETS 46
2			4			