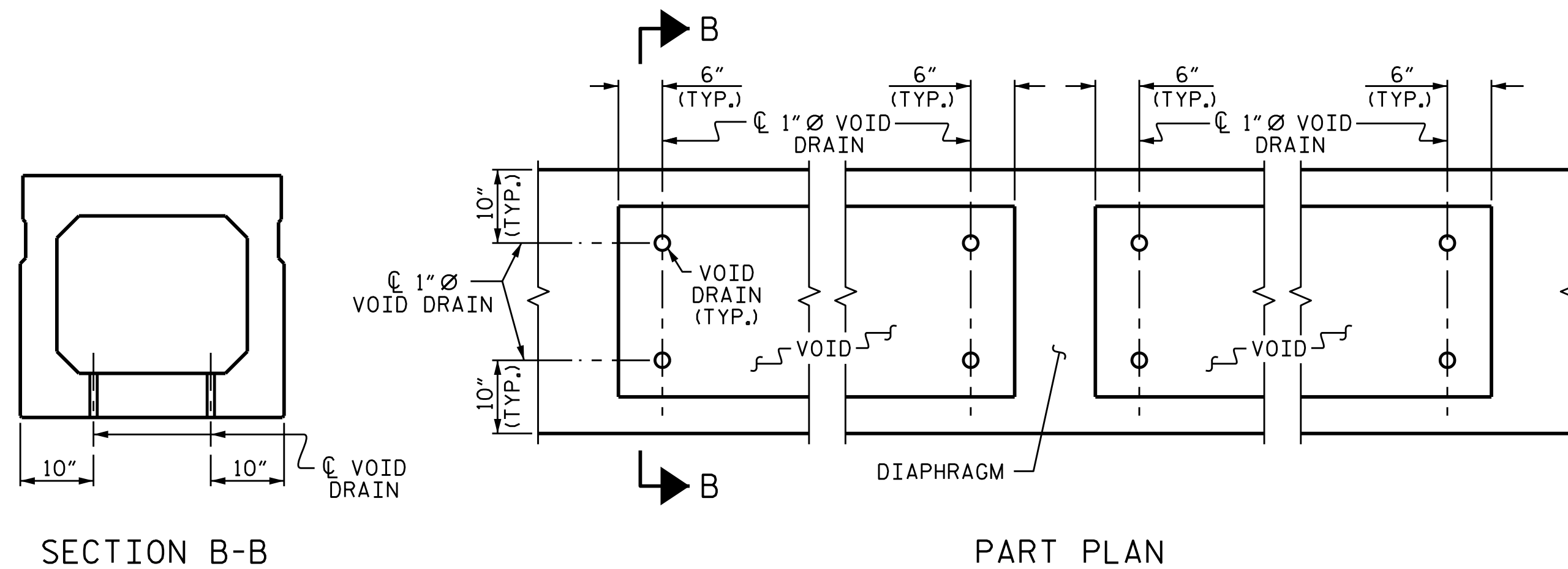


DOUBLE DIAPHRAGM DETAILS

#4 "S" BARS NOT SHOWN. #4 "S" BARS MAY BE SHIFTED SLIGHTLY TO CLEAR 2 1/2" Ø HOLE.

GROUTED RECESS DETAIL AT END OF POST-TENSIONED STRANDS OF EXTERIOR BOX BEAM



VOID DRAIN DETAILS

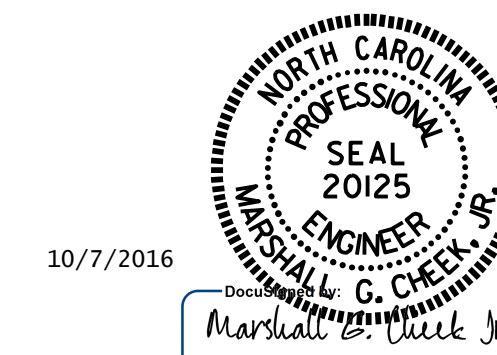
(DIMENSIONS SHOWN ARE TYPICAL FOR EACH VOID)

DEAD LOAD DEFLECTION AND CAMBER	
80' BOX BEAM UNIT	3'-0" x 2'-9" 0.6" Ø L.R. STRAND
CAMBER (SLAB ALONE IN PLACE)	1 3/4" ↑
DEFLECTION DUE TO SUPERIMPOSED DEAD LOAD**	1/2" ↓
FINAL CAMBER	1 1/4" ↑

** INCLUDES FUTURE WEARING SURFACE

PROJECT NO. B-4814
SAMPSON COUNTY
 STATION: 17+71.00 -L-

SHEET 4 OF 5



STATE OF NORTH CAROLINA
 DEPARTMENT OF TRANSPORTATION
 RALEIGH
 STANDARD
 3'-0" X 2'-9"
 PRESTRESSED CONCRETE
 BOX BEAM UNIT

ASSEMBLED BY: R. CAREATHERS/MP DATE: 6/3/15
 CHECKED BY: M. PISO DATE: 6/17/15
 DRAWN BY: DGE 10/11 REV. 8/14 MAA/TMG
 CHECKED BY: TMG 11/11

DOCUMENT NOT CONSIDERED FINAL UNLESS ALL SIGNATURES COMPLETED

REVISIONS						SHEET NO.
NO.	BY:	DATE:	NO.	BY:	DATE:	TOTAL SHEETS
1			3			S2-8
2			4			46

STR. #2

STD.NO.33PCBB5_90S