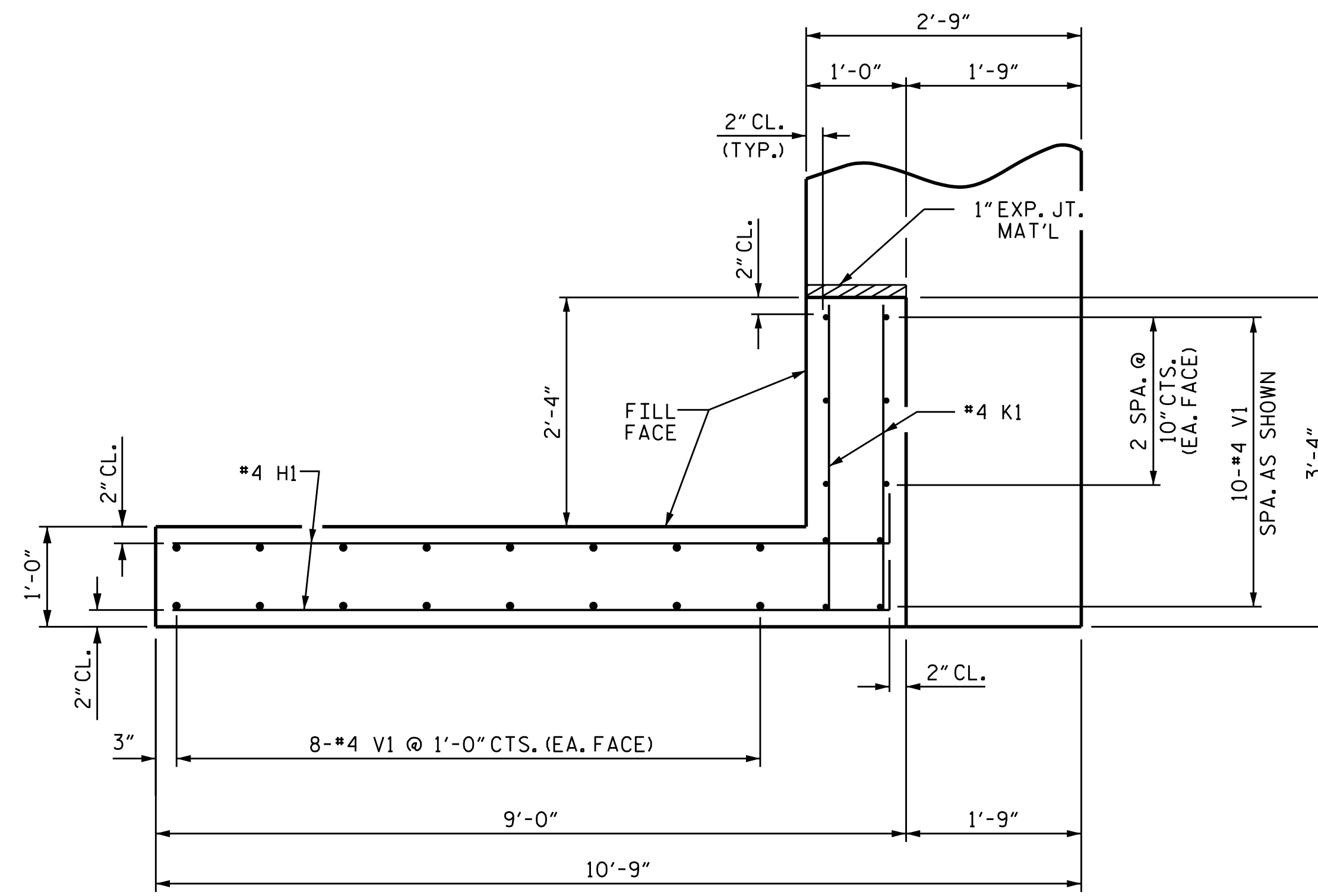
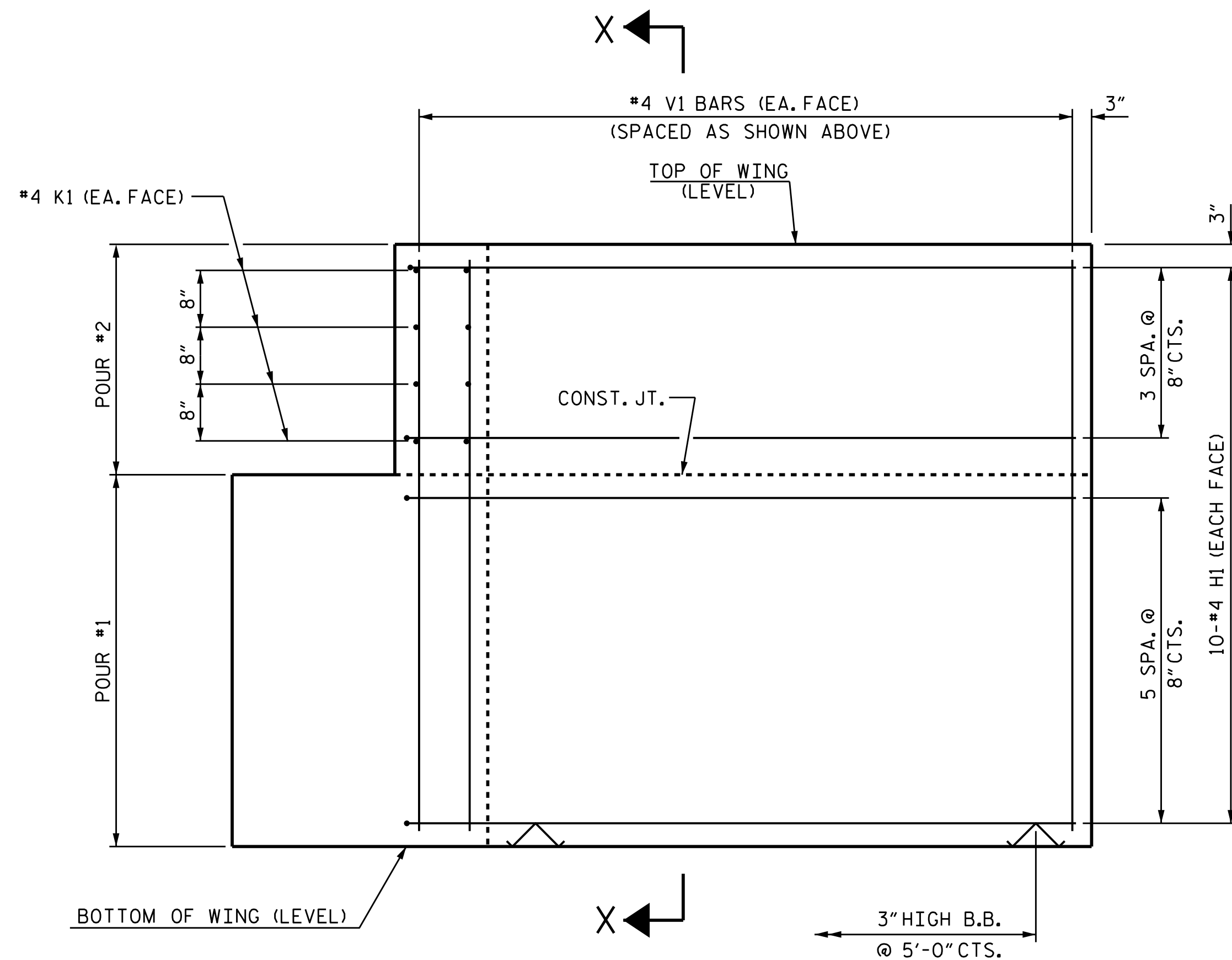


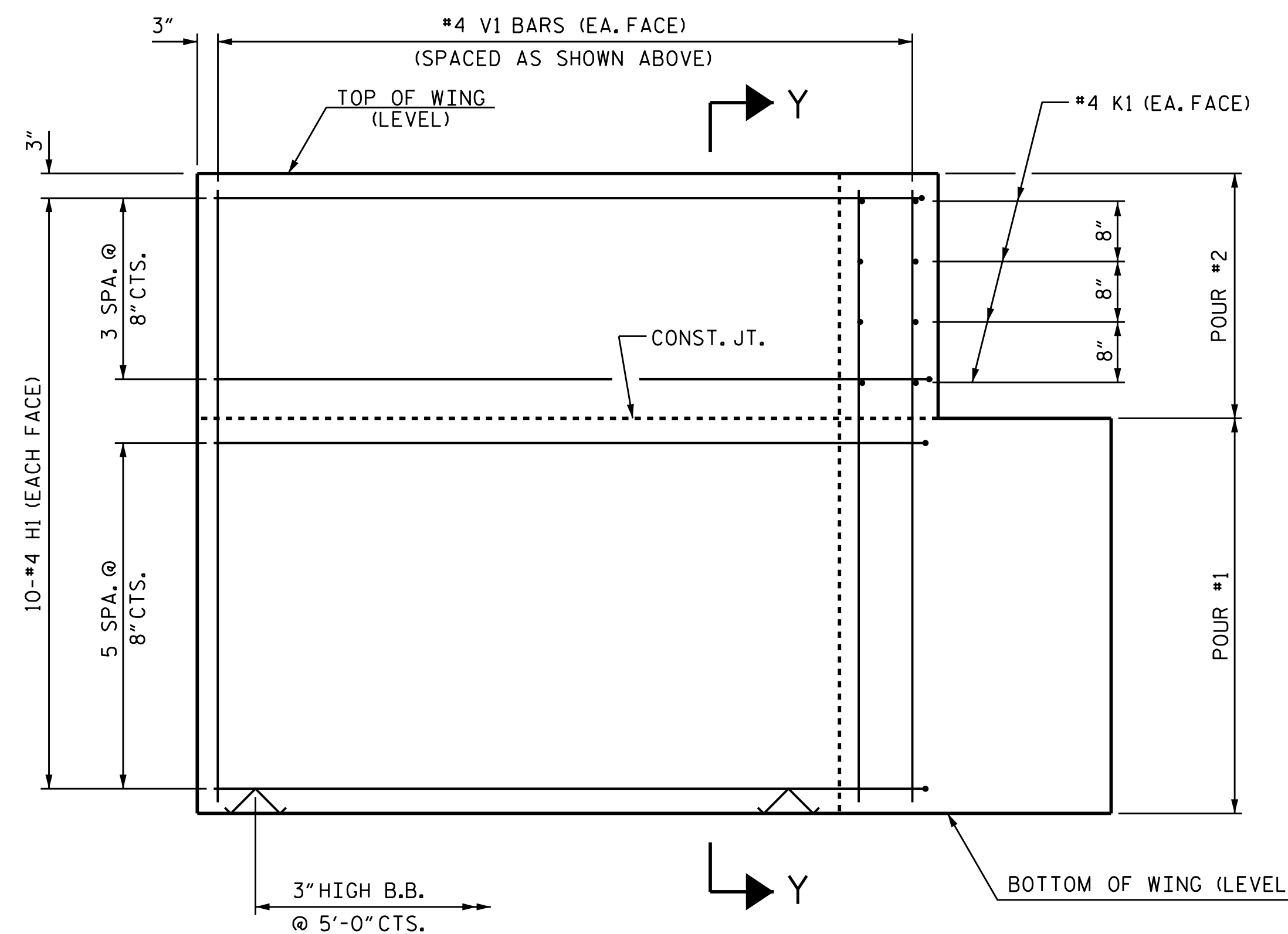
PLAN OF WING (W1)



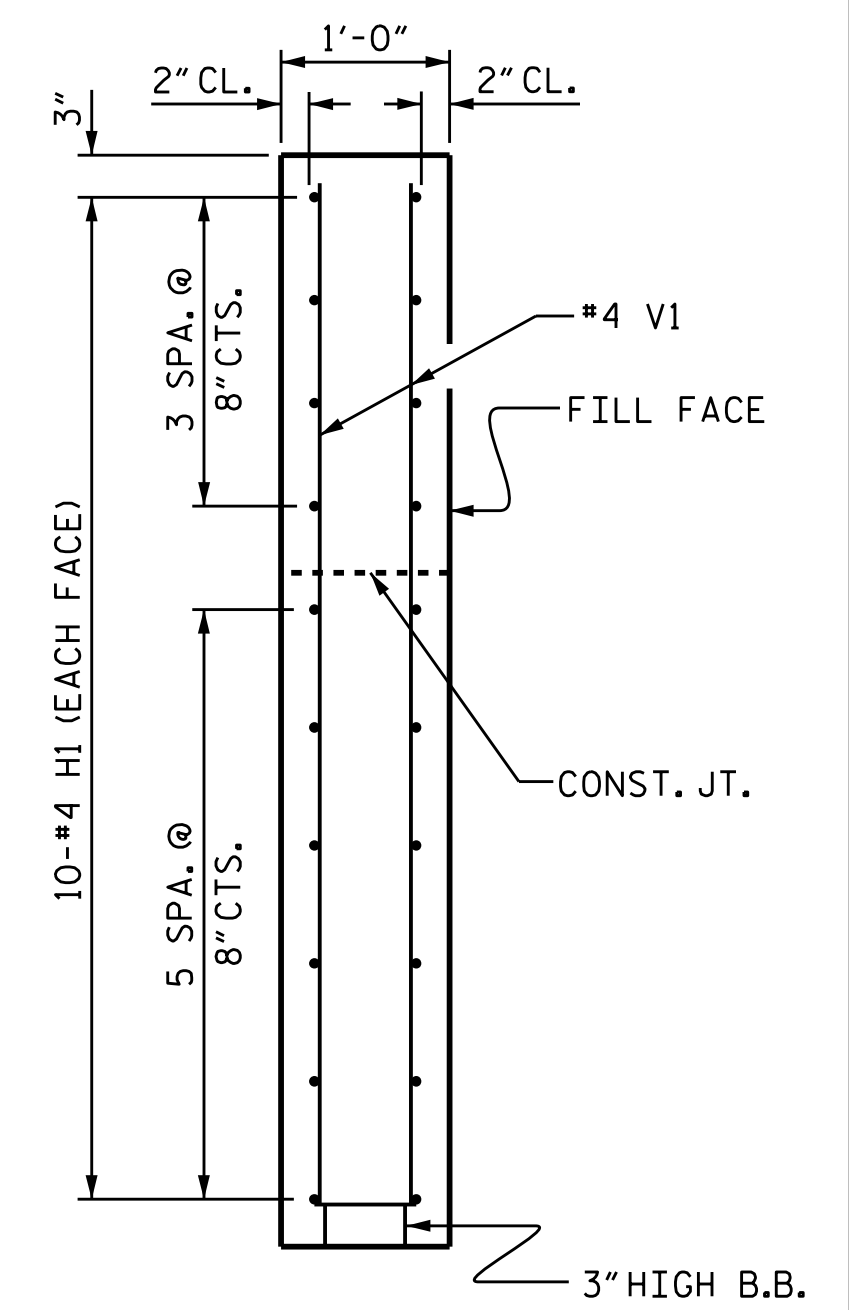
PLAN OF WING (W2)



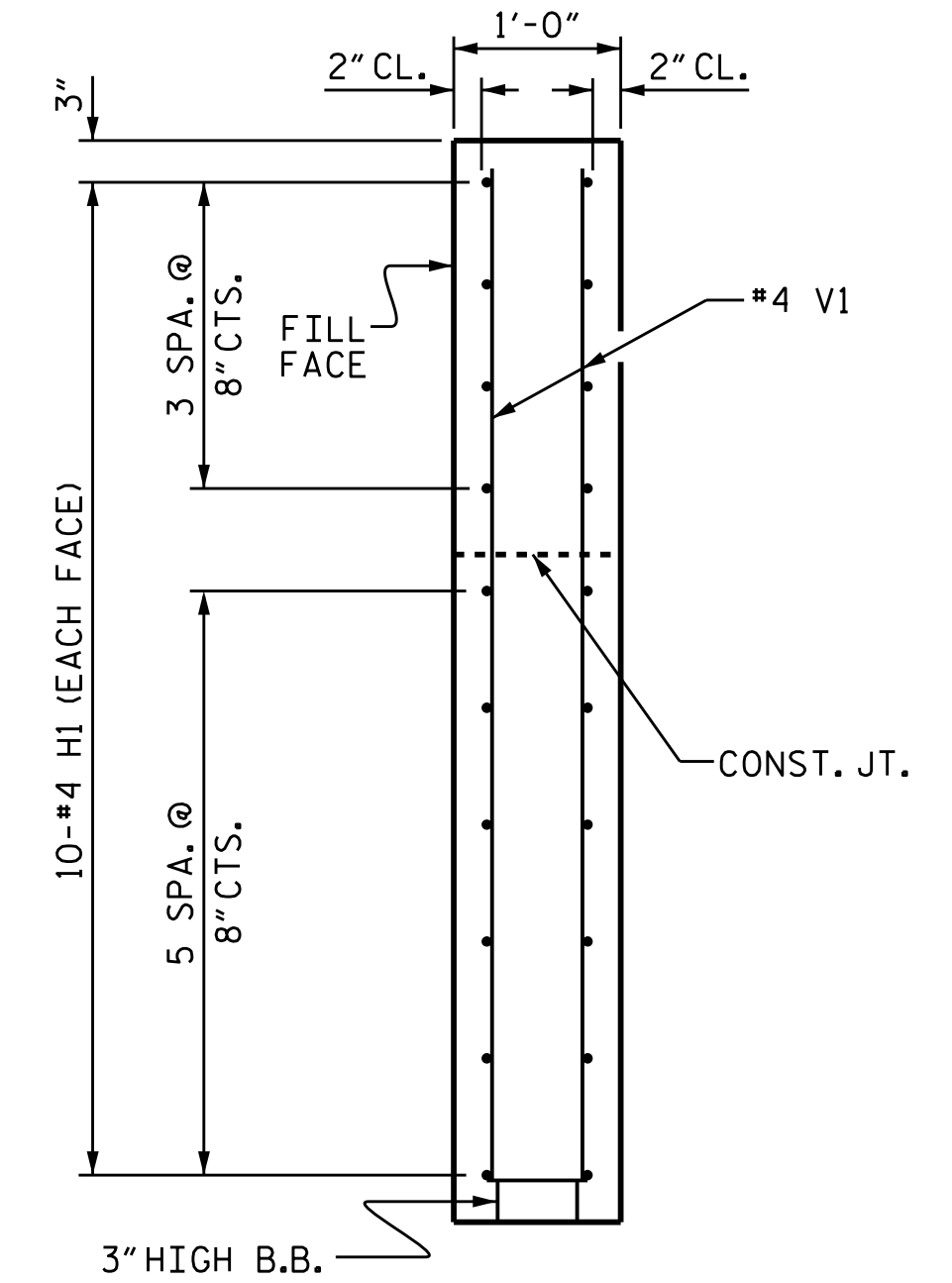
ELEVATION OF WING (W1)



ELEVATION OF WING (W2)



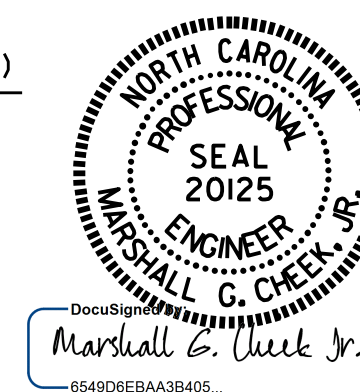
SECTION X-X



SECTION Y-Y

PROJECT NO. B-4814
 SAMPSON COUNTY
 STATION: 14+39.00 -L-

SHEET 3 OF 4



STATE OF NORTH CAROLINA
 DEPARTMENT OF TRANSPORTATION
 RALEIGH
 SUBSTRUCTURE
 END BENT
 WING DETAILS

WING DETAILS

ASSEMBLED BY: R. CAREATHERS/MP DATE: 6/1/15
 CHECKED BY: M. PISO DATE: 6/9/15
 DRAWN BY: WJH 12/11
 CHECKED BY: AAC 12/11
 REV. 4/15 MAA/TMG

DOCUMENT NOT CONSIDERED
 FINAL UNLESS ALL
 SIGNATURES COMPLETED

REVISIONS						SHEET NO.
NO.	BY:	DATE:	NO.	BY:	DATE:	
1			3			S1-11
2			4			TOTAL SHEETS 46

STR. #1

STD. NO. EB_30_90S4