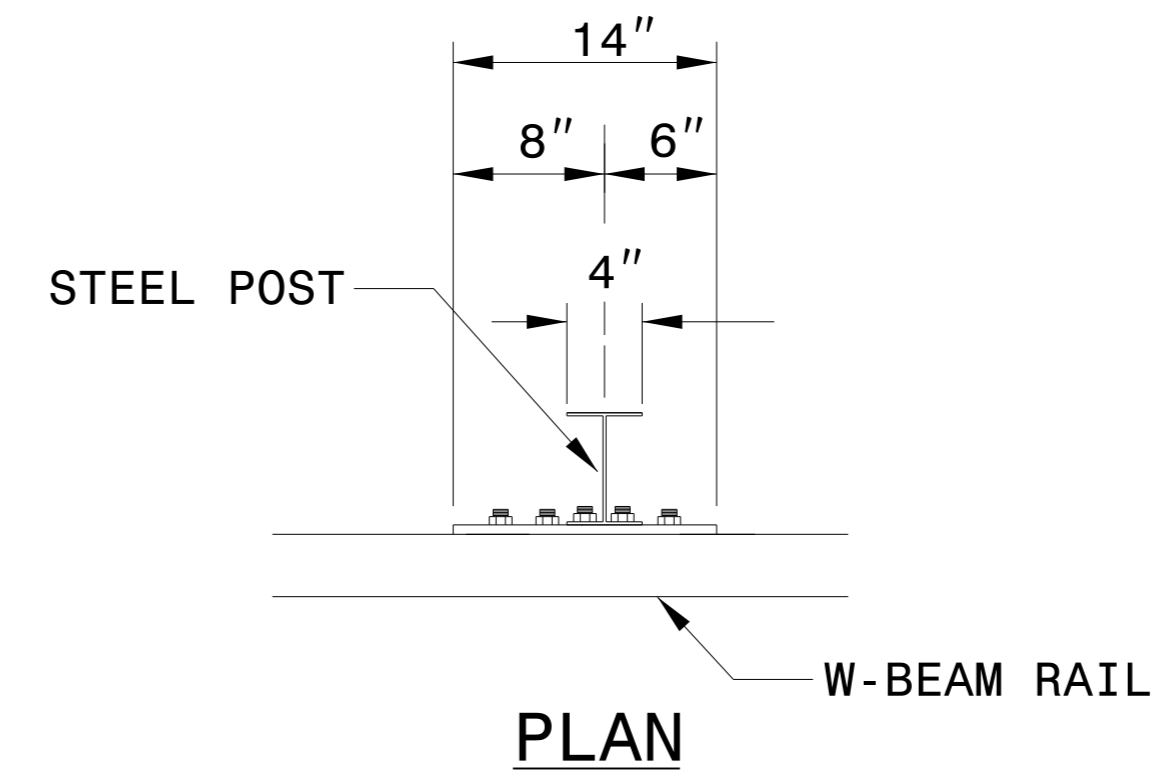
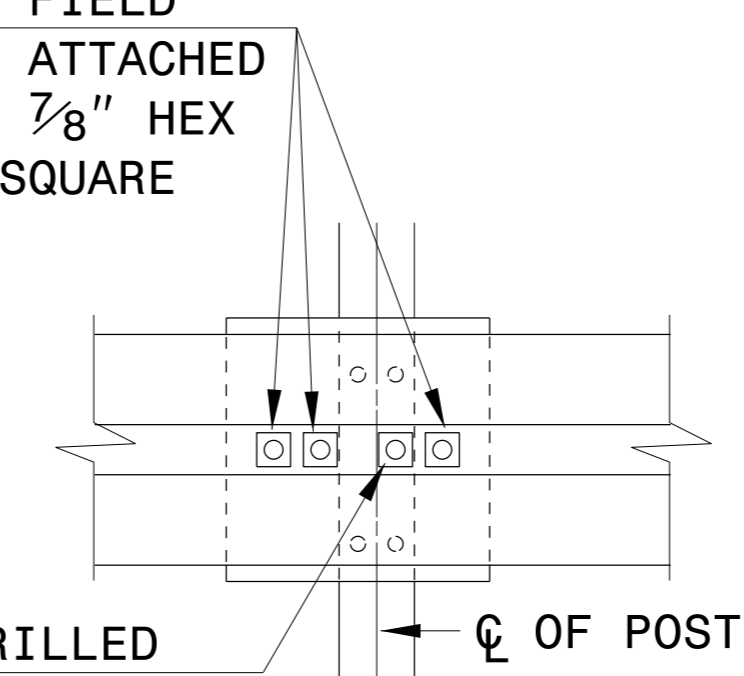


STEEL PLATE - 1/2"
 GALVANIZED
 WELDED OR BOLTED TO POST

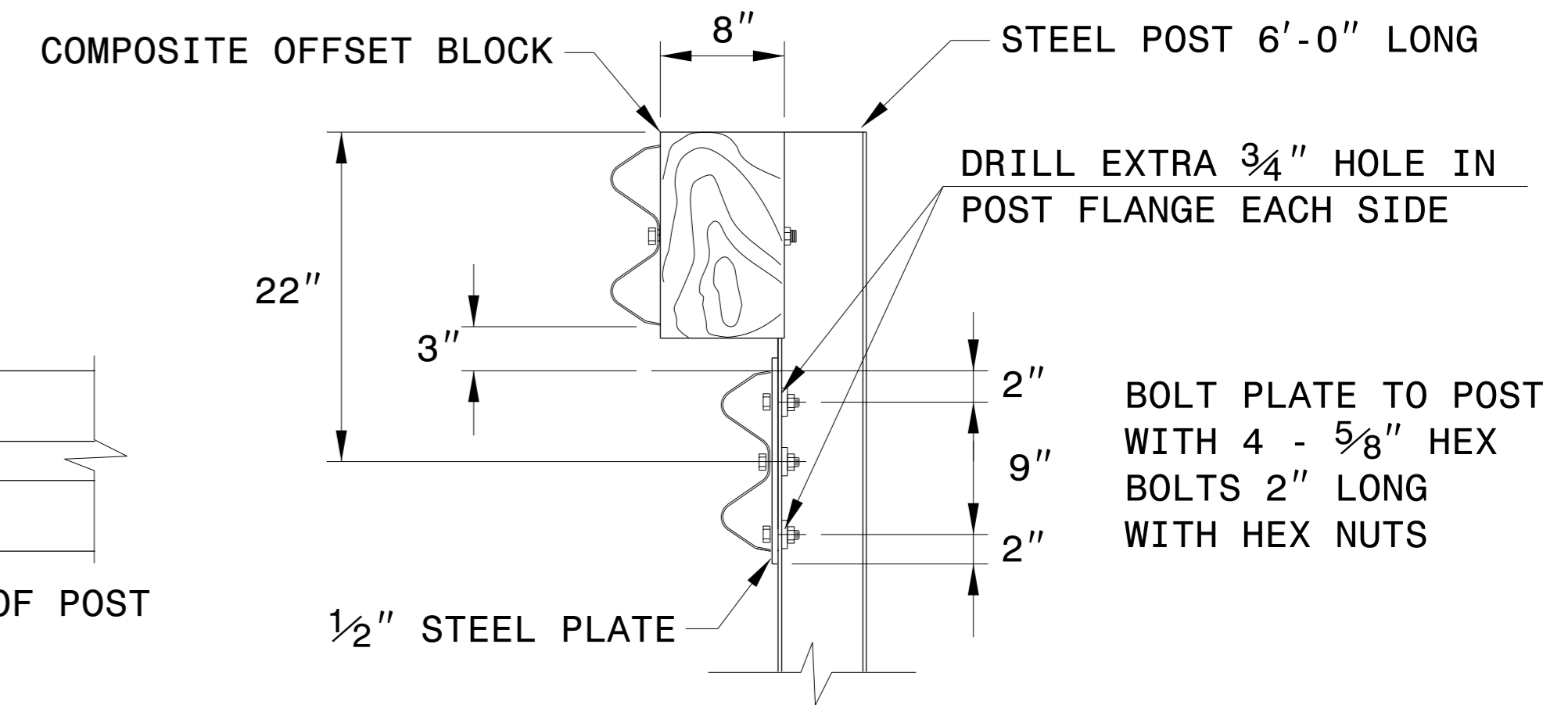
SQUARE WASHER
 1/4" THICK - GALVANIZED



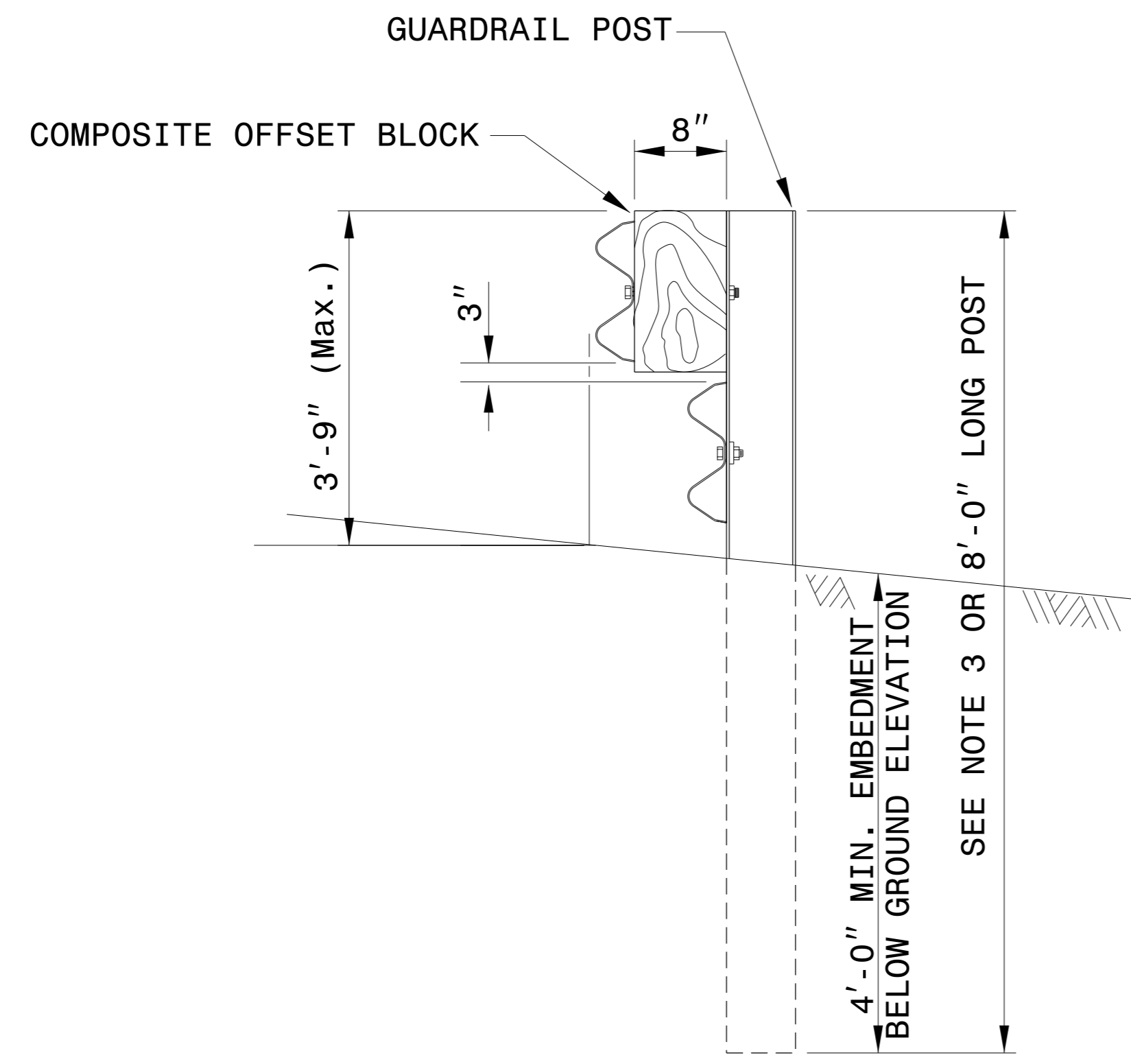
3 - 7/8" HOLES TO BE FIELD DRILLED IN RAIL AND ATTACHED TO STEEL PLATE WITH 7/8" HEX BOLTS 2" LONG WITH SQUARE WASHER



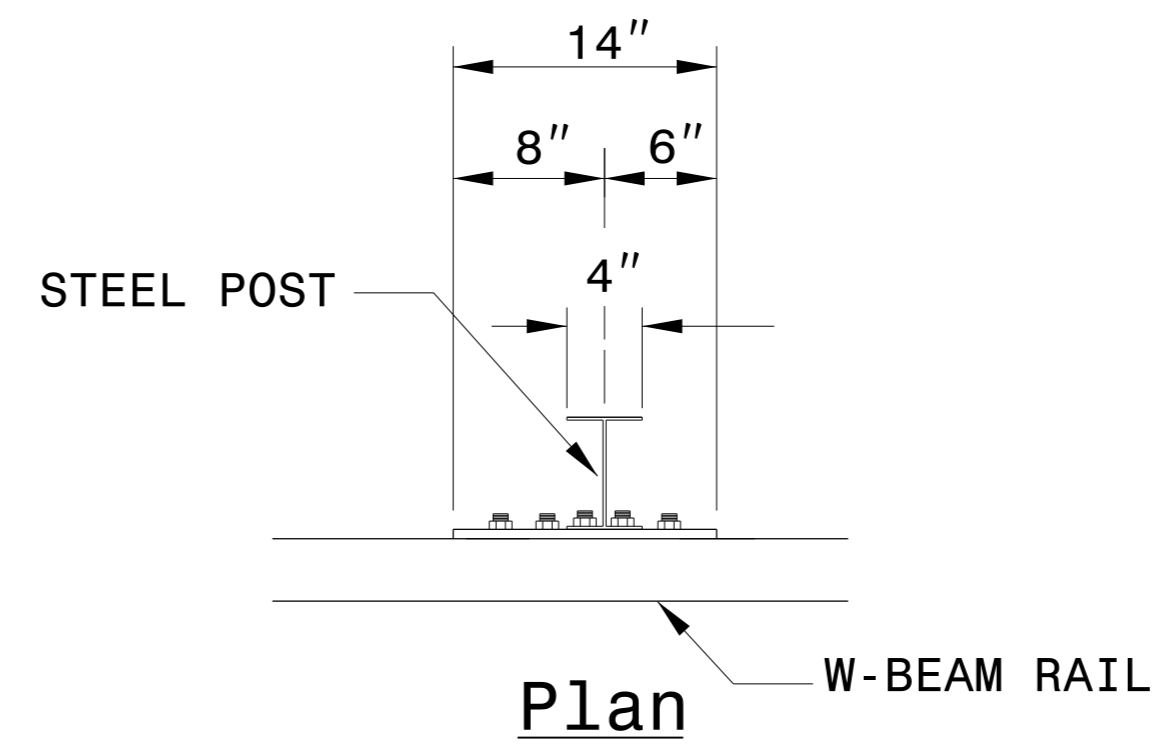
1" HOLES TO BE FIELD DRILLED IN RAIL AND THROUGH POST FLANGE. ATTACH TO STEEL PLATE WITH 7/8" HEX BOLTS 2" LONG WITH SQUARE WASHER



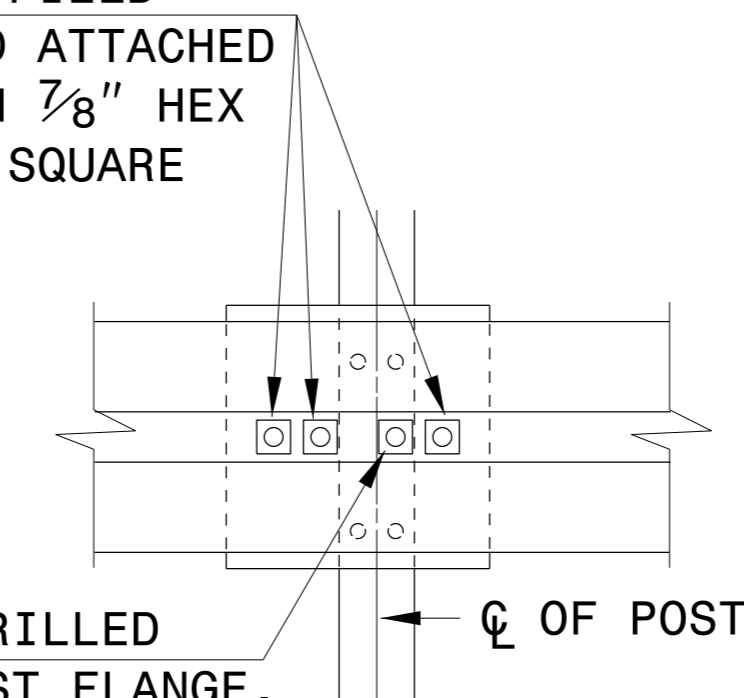
RUBRAIL ANCHOR DETAILS



RAIL ATTACHMENT DETAIL

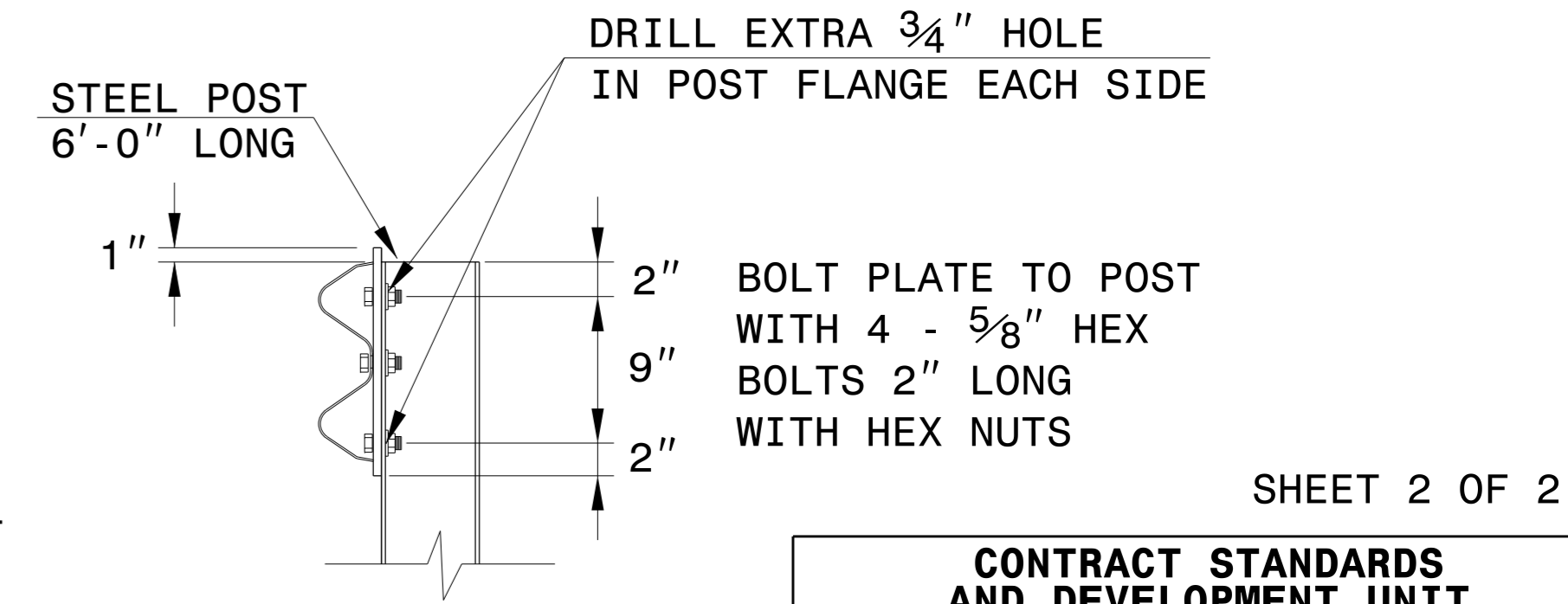


3 - 1" HOLES TO BE FIELD DRILLED IN RAIL AND ATTACHED TO STEEL PLATE WITH 7/8" HEX BOLTS 2" LONG WITH SQUARE WASHER



1" HOLES TO BE FIELD DRILLED IN RAIL AND THROUGH POST FLANGE. ATTACH TO STEEL PLATE WITH 7/8" HEX BOLTS 2" LONG WITH SQUARE WASHER.

POST ANCHOR DETAILS



CONTRACT STANDARDS AND DEVELOPMENT UNIT	
Office 919-707-6950	FAX 919-250-4119
DETAIL OF GUARDRAIL BURIED IN CUT (BIC)	
ORIGINAL BY: FHWA-G4	SYSTEM DATE: 8-13-98
MODIFIED BY: E.E. WARD	DATE: 12-7-01
CHECKED BY:	DATE:
FILE SPEC.: ericward/misc.	guardrail/BIC.dgn

5/14/99
 C:\TIME\DESIGN\DRAWINGS\BIC.dgn
 USER: E.E. WARD
 PLOT: 12/7/01 10:00 AM