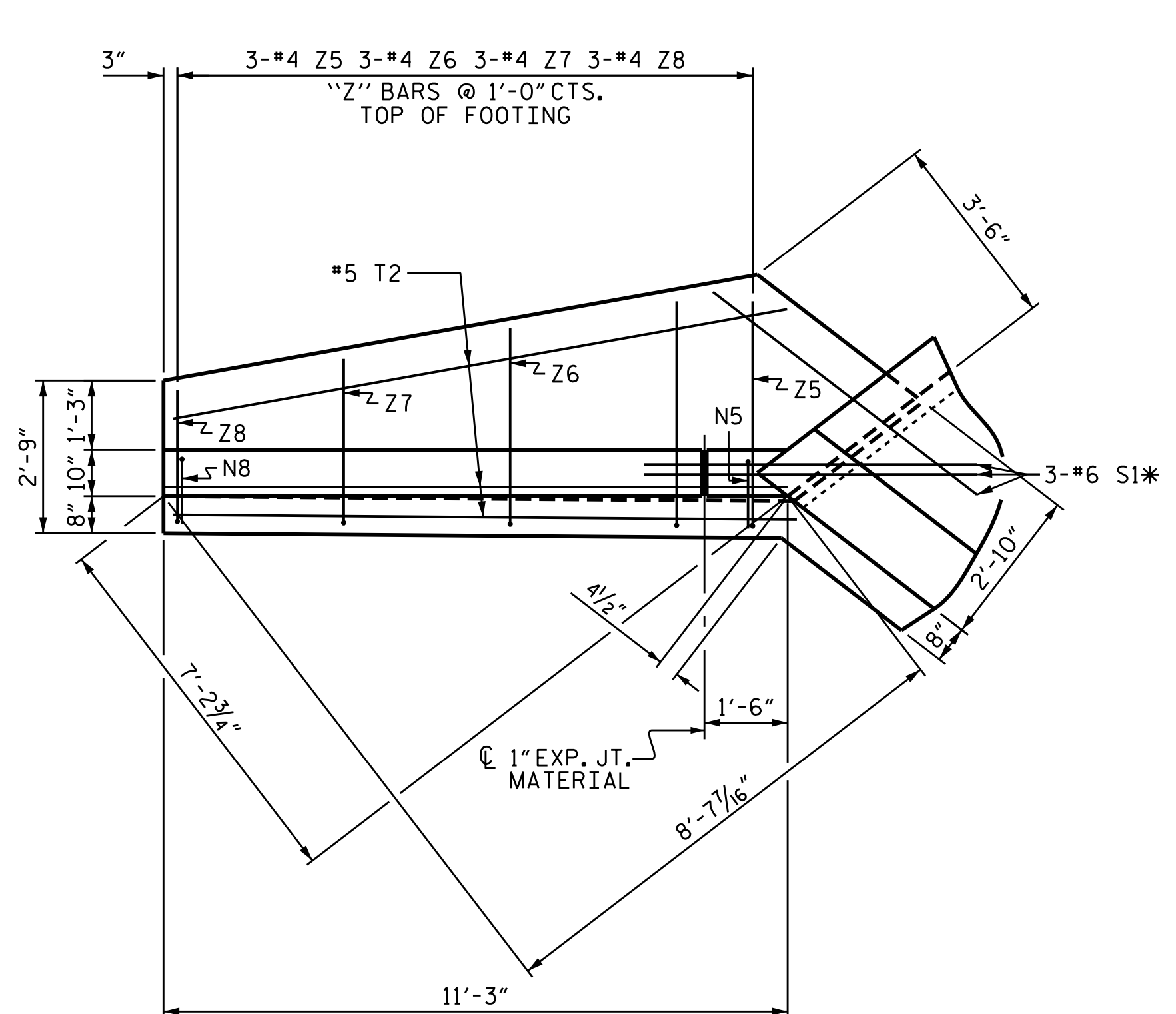
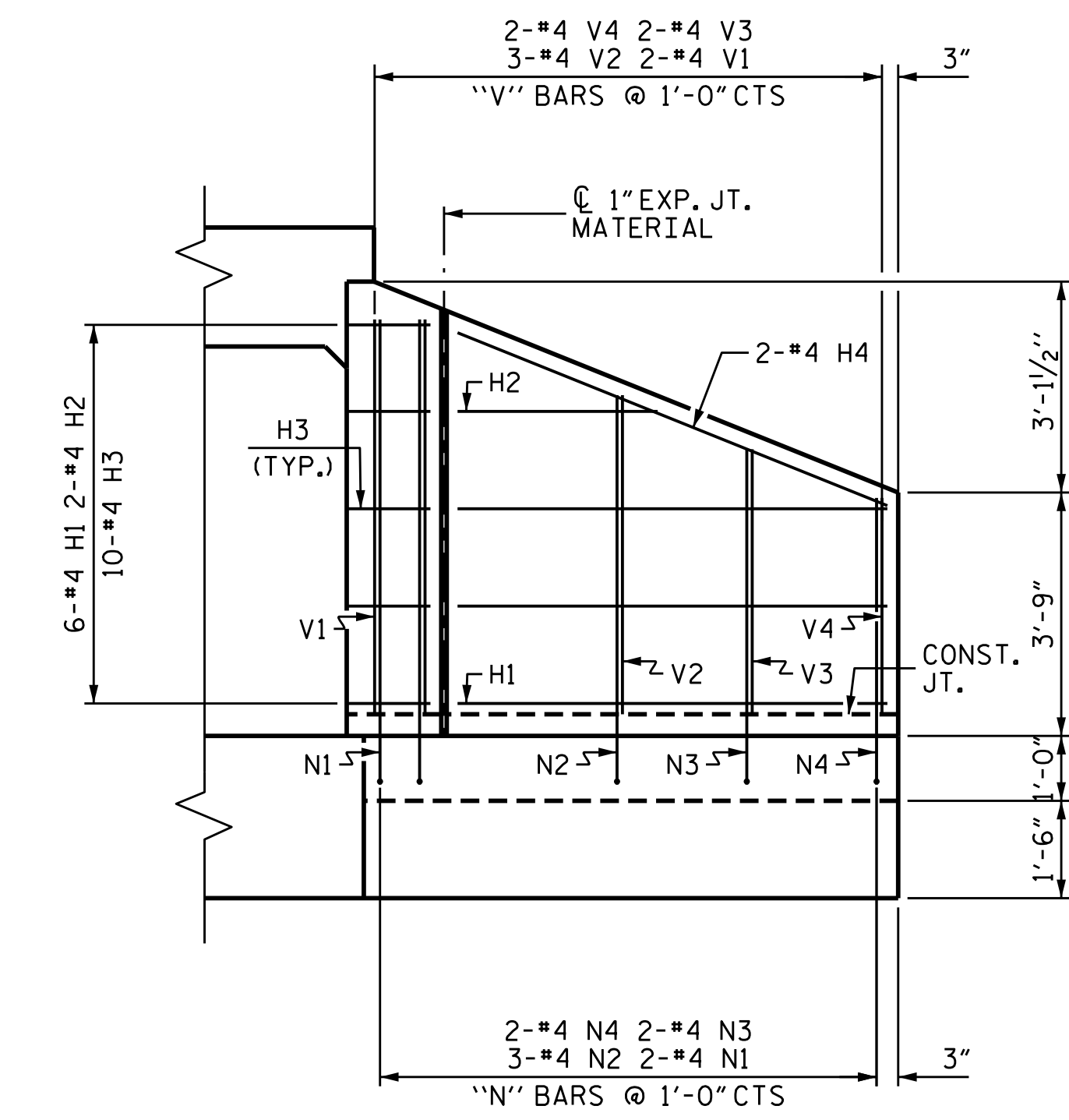


PLAN W2

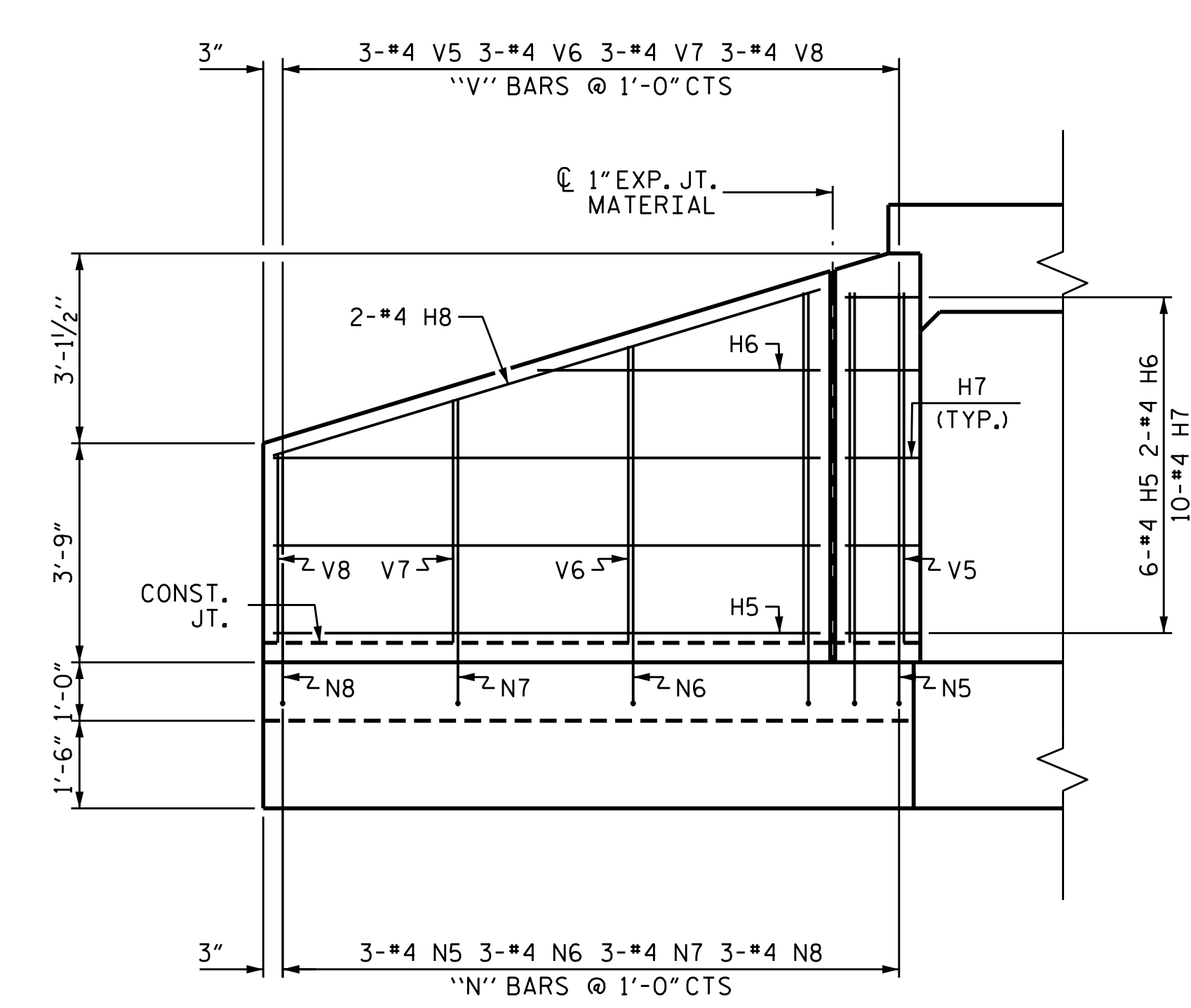
* S1 @ BOTTOM OF FLOOR SLAB & FOOTING



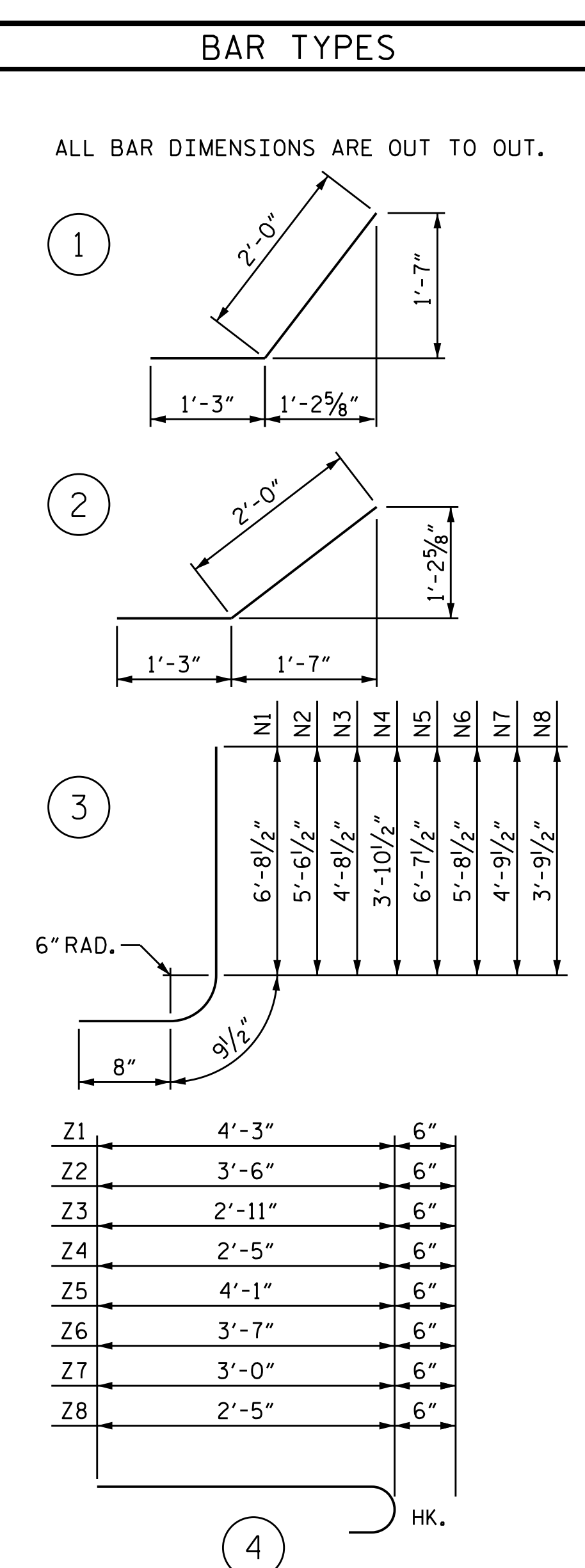
PLAN W1



ELEVATION W2



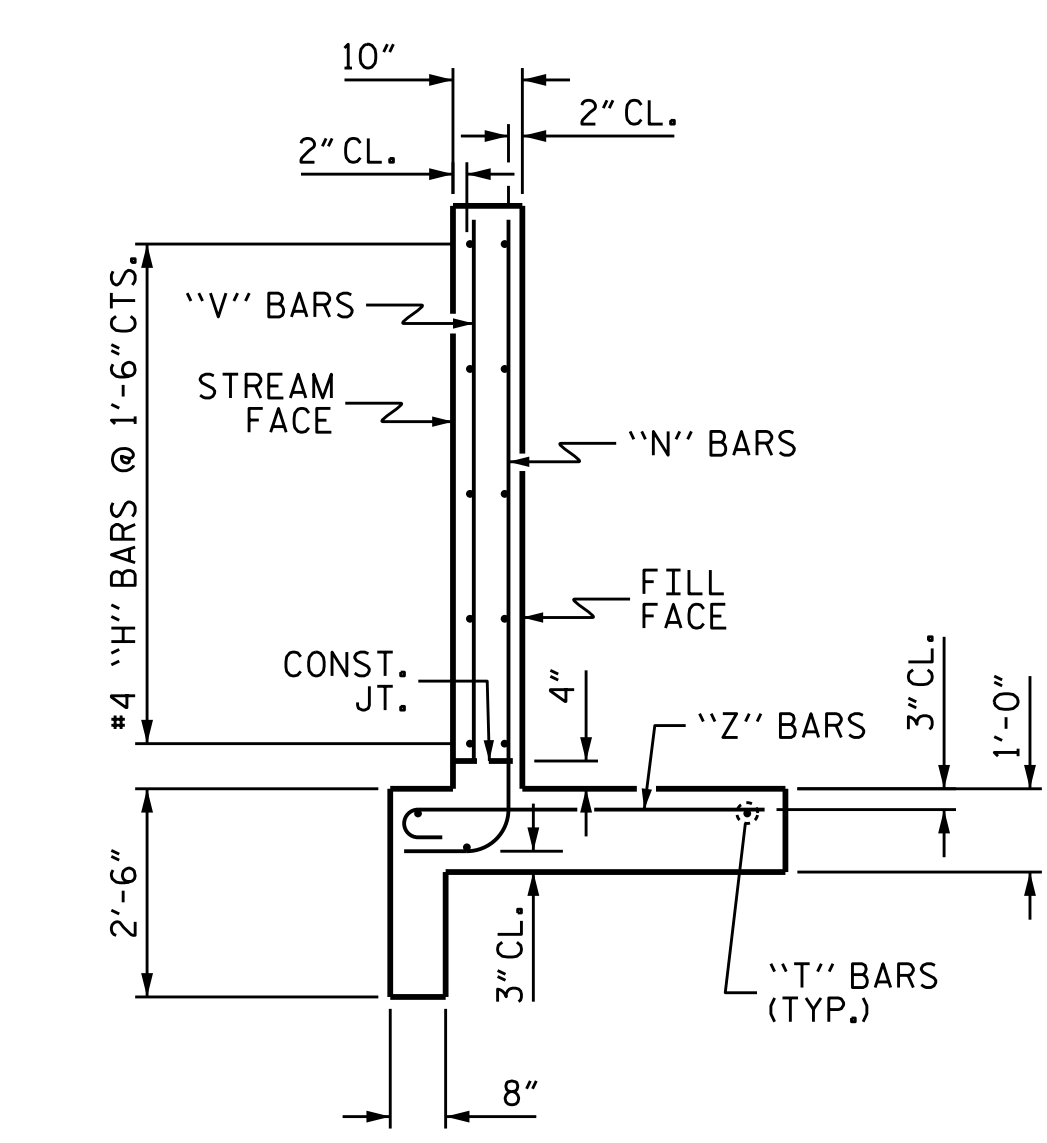
ELEVATION W1



BILL OF MATERIAL

STAGE I OR STAGE II

BAR	NO.	SIZE	TYPE	LENGTH	WEIGHT
H1	6	#4	STR	6'-7"	26
H2	2	#4	STR	3'-1"	4
H3	10	#4	1	3'-3"	22
H4	2	#4	STR	7'-1"	9
H5	6	#4	STR	9'-4"	37
H6	2	#4	STR	4'-10"	6
H7	10	#4	2	3'-3"	22
H8	2	#4	STR	9'-9"	13
N1	2	#4	3	8'-2"	11
N2	3	#4	3	7'-0"	14
N3	2	#4	3	6'-2"	8
N4	2	#4	3	5'-4"	7
N5	3	#4	3	8'-1"	16
N6	3	#4	3	7'-2"	14
N7	3	#4	3	6'-3"	13
N8	3	#4	3	5'-3"	11
S1	6	#6	STR	6'-0"	54
T1	3	#5	STR	8'-6"	27
T2	3	#5	STR	11'-3"	35
V1	2	#4	STR	6'-1"	8
V2	3	#4	STR	4'-11"	10
V3	2	#4	STR	4'-1"	5
V4	2	#4	STR	3'-4"	4
V5	3	#4	STR	6'-0"	12
V6	3	#4	STR	5'-1"	10
V7	3	#4	STR	4'-2"	8
V8	3	#4	STR	3'-3"	7
Z1	2	#4	4	4'-9"	6
Z2	3	#4	4	4'-0"	8
Z3	2	#4	4	3'-5"	5
Z4	2	#4	4	2'-11"	4
Z5	3	#4	4	4'-7"	9
Z6	3	#4	4	4'-1"	8
Z7	3	#4	4	3'-6"	7
Z8	3	#4	4	2'-11"	6
REINFORCING STEEL FOR 2 WINGS				466	LBS
CLASS A CONCRETE					
2 WINGS				7.1	CY
1 HEADWALL				0.5	CY
1 END CURTAIN WALL				0.6	CY
TOTAL				8.2	CY



TYPICAL WING SECTION



PROJECT NO. R-4753
JACKSON COUNTY
 STATION: 168+42.00 -L-

SHEET 6 OF 7

STATE OF NORTH CAROLINA
 DEPARTMENT OF TRANSPORTATION
 RALEIGH

WINGS FOR
 CONCRETE BOX CULVERT
 H = 6'-0" SLOPE = 2:1
 100°-00'-00" SKEW
 STAGE I OR II

ASSEMBLED BY : E.C. PHELPS/VXN DATE : 8/5/16
 CHECKED BY : H.T. BARBOUR DATE : 8/8/16
 DRAWN BY : CCJ 12/99
 CHECKED BY : RWW 03/00

DocuSigned by:
 Wael Arafa
 4190C12A328A906 10/12/2016

DOCUMENT NOT CONSIDERED
 FINAL UNLESS ALL
 SIGNATURES COMPLETED

REVISIONS			SHEET NO.		
NO.	BY:	DATE:	NO.	BY:	DATE:
1			3		
2			4		

TOTAL SHEETS: 14