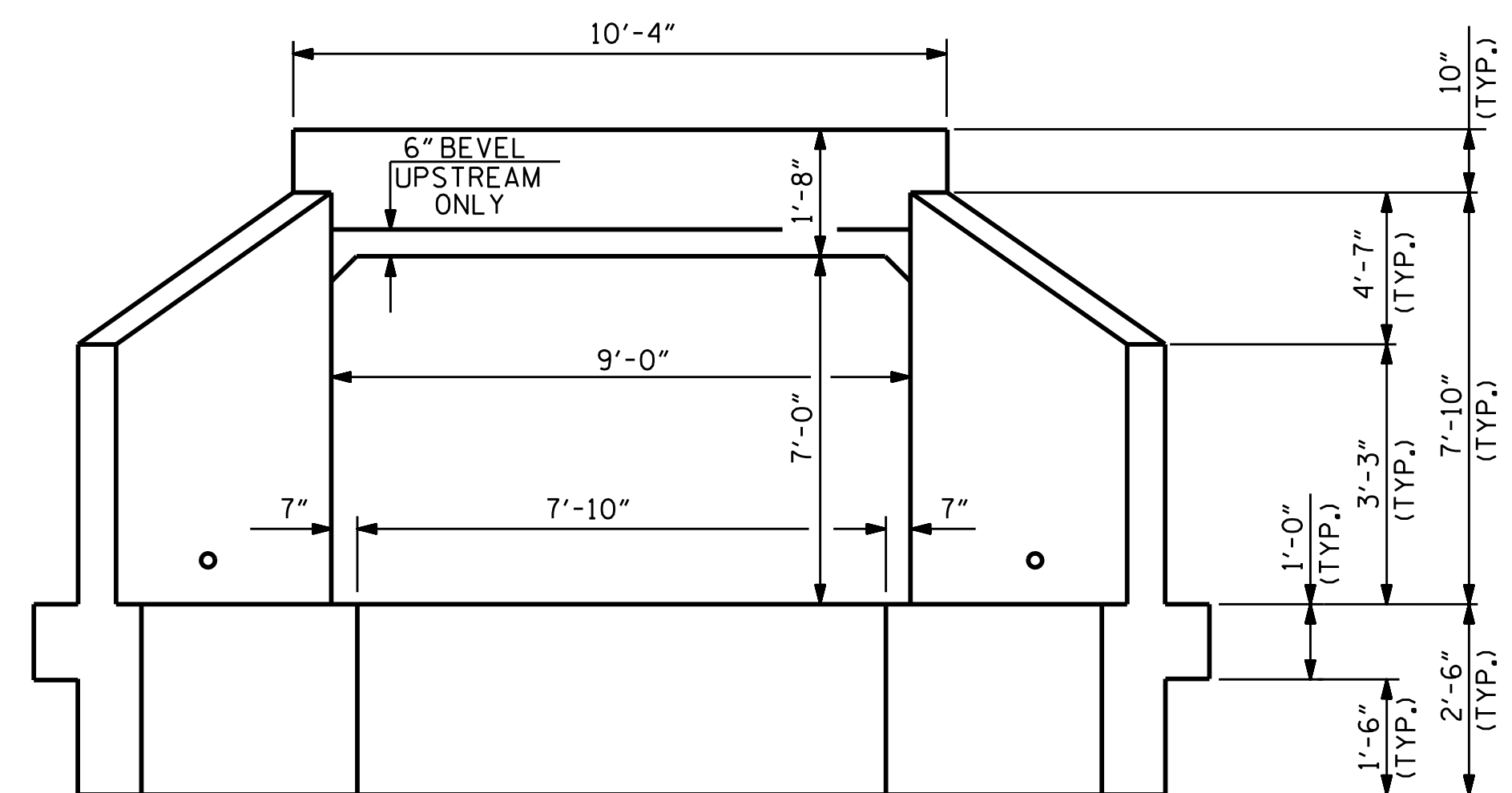
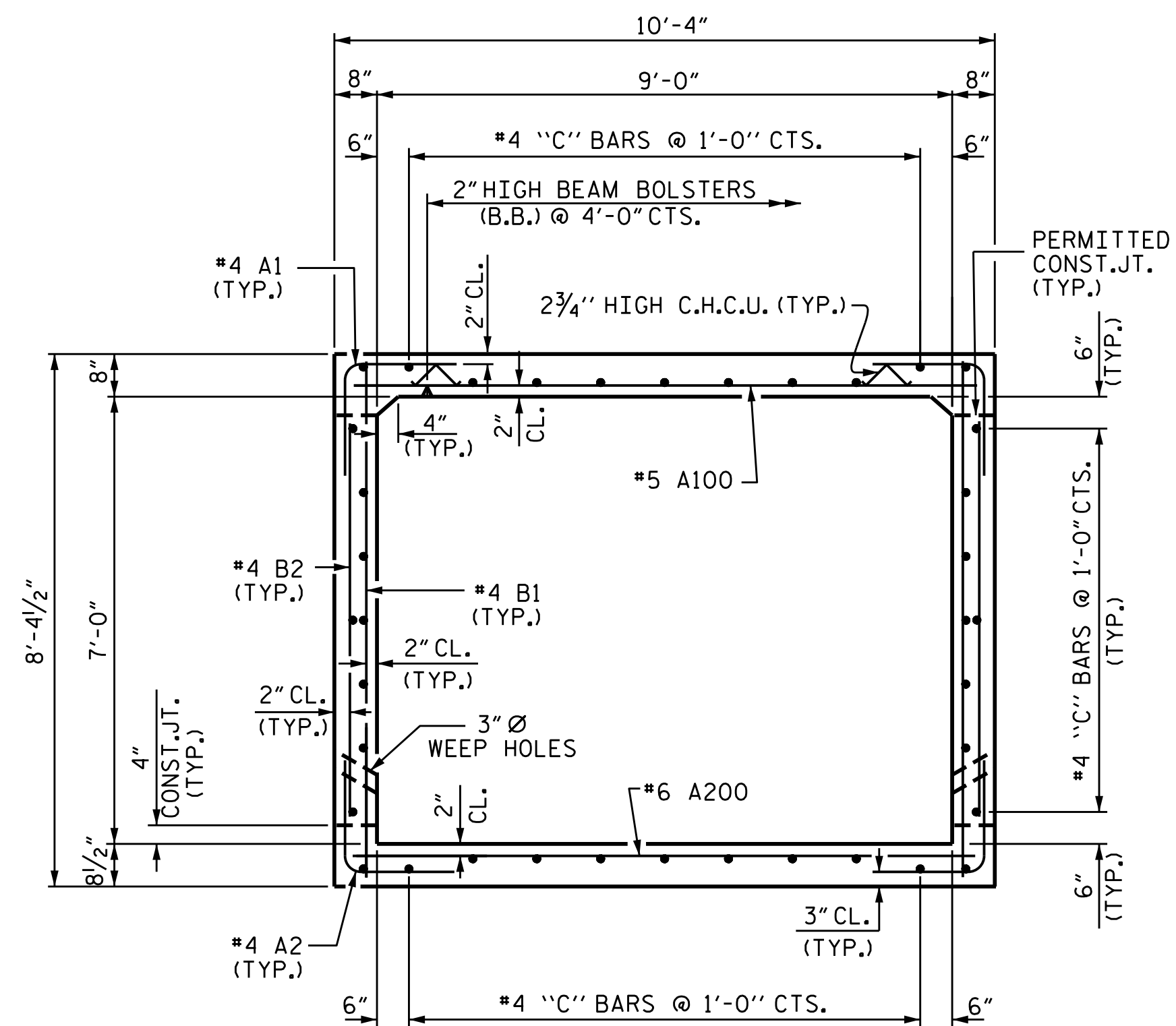


CULVERT SECTION NORMAL TO ROADWAY



END ELEVATION



RIGHT ANGLE SECTION OF BARREL

THERE ARE 38 \"C\" BARS IN SECTION OF BARREL

PROJECT NO. R-4753
JACKSON COUNTY
 STATION: 142+79.00 -L-

SHEET 2 OF 7



STATE OF NORTH CAROLINA
 DEPARTMENT OF TRANSPORTATION
 RALEIGH
 SINGLE 9 FT. X 7 FT.
 CONCRETE BOX CULVERT
 90°-00'-00\"/>

DRAWN BY: V.X. NGUYEN DATE: 8-3-16
 CHECKED BY: H.T. BARBOUR DATE: 8-8-16
 DESIGN ENGINEER OF RECORD: A.M. LEE DATE: 9-16

Documented by:
 Wael Arafat 10/12/2016
 4139C12A32A8406

DOCUMENT NOT CONSIDERED
 FINAL UNLESS ALL
 SIGNATURES COMPLETED

REVISIONS						SHEET NO.
NO.	BY:	DATE:	NO.	BY:	DATE:	C-2
1			3			TOTAL SHEETS
2			4			14