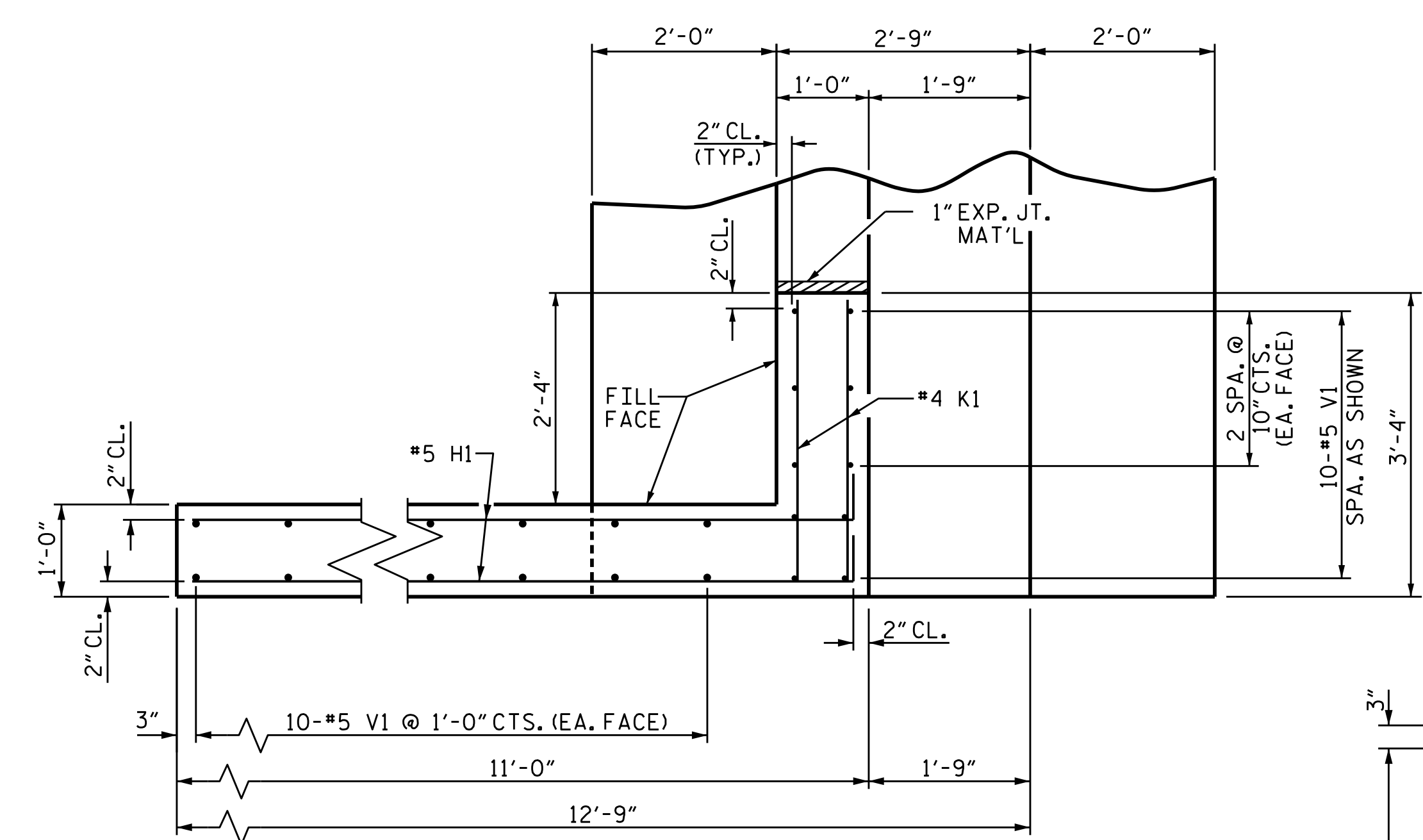
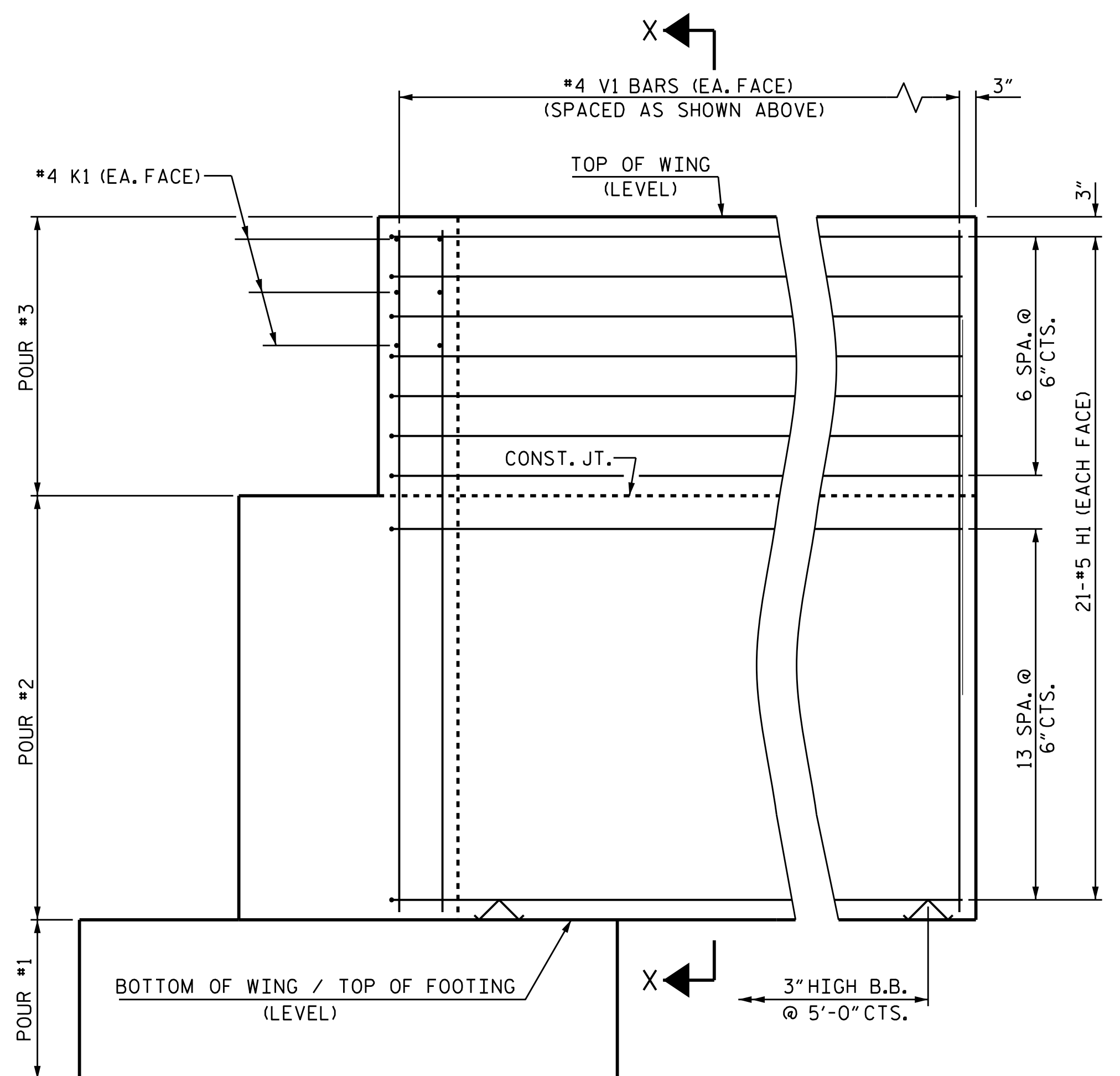


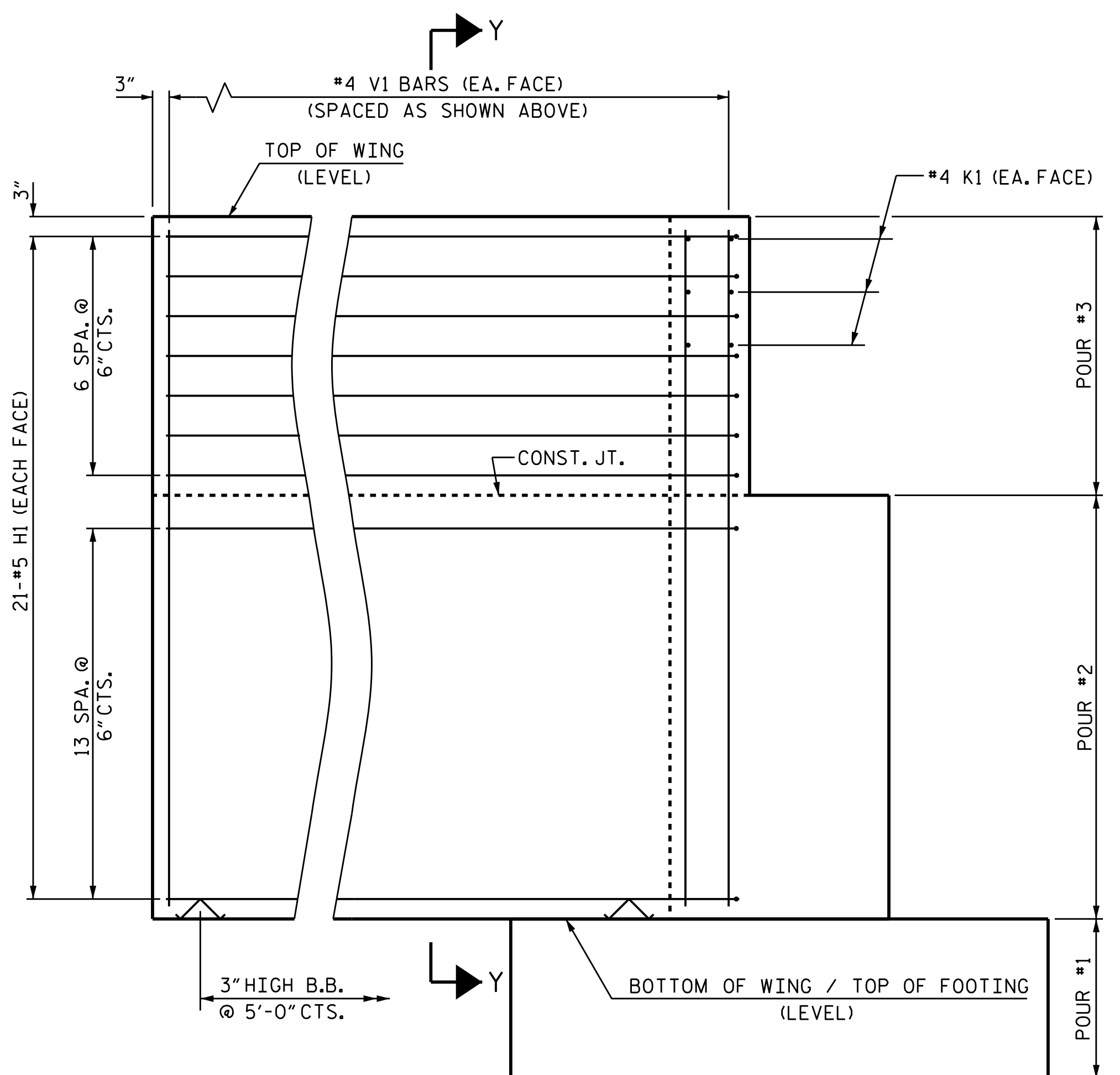
PLAN OF WING (W1)



PLAN OF WING (W2)

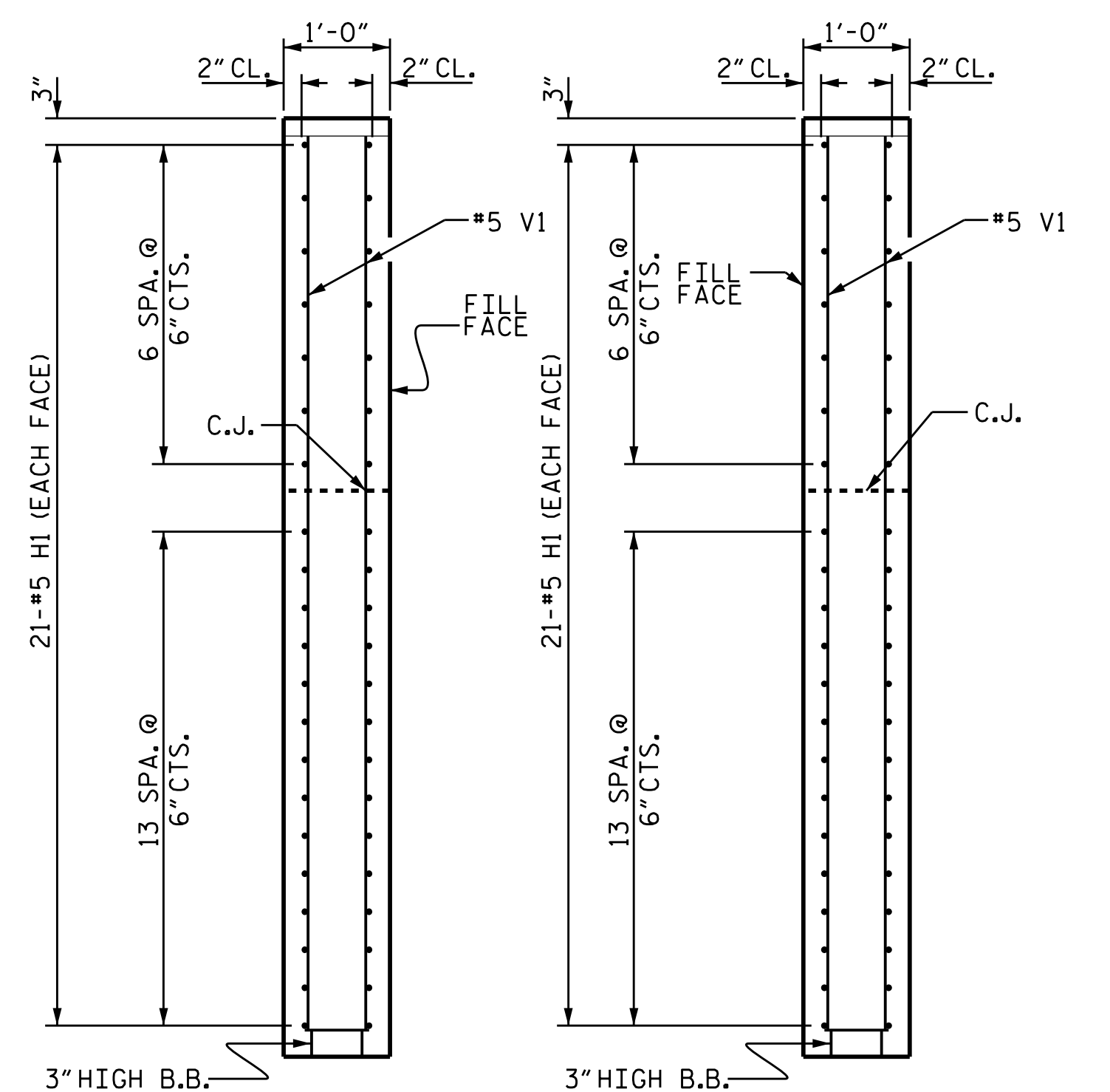


ELEVATION OF WING (W1)



ELEVATION OF WING (W2)

WING DETAILS



SECTION X-X

SECTION Y-Y

PROJECT NO. B-5398
 BURKE COUNTY
 STATION: 16+45.00 -L-
 SHEET 2 OF 3

DRAWN BY: J.M. KEPICH DATE: 02/16
 CHECKED BY: L.M. SAMPLES DATE: 04/16
 DESIGN ENGINEER OF RECORD: L.M. SAMPLES DATE: 05/16

ms consultants, inc.
 920 Main Campus Drive
 Suite 430
 Raleigh, NC 27606
 NC License Number: C-3239

DocuSigned by:
 Lisa M. Samples
 5663D09A9B449C...
 7/4/2016



STATE OF NORTH CAROLINA DEPARTMENT OF TRANSPORTATION RALEIGH					
SUBSTRUCTURE					
END BENT No. 2					
REVISIONS					
NO.	BY:	DATE:	NO.	BY:	DATE:
1			3		
2			4		
					SHEET NO. S-21
					TOTAL SHEETS 24