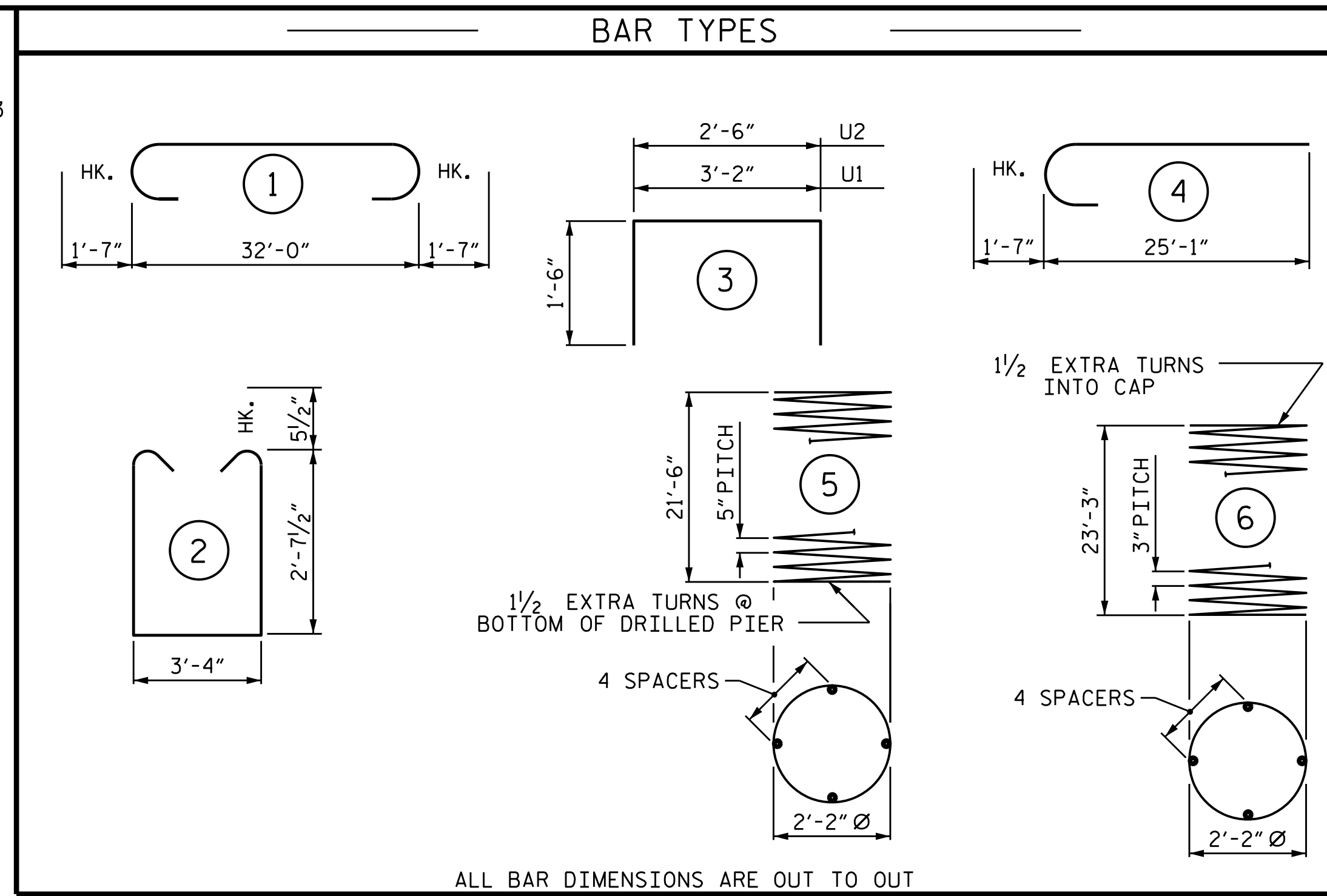
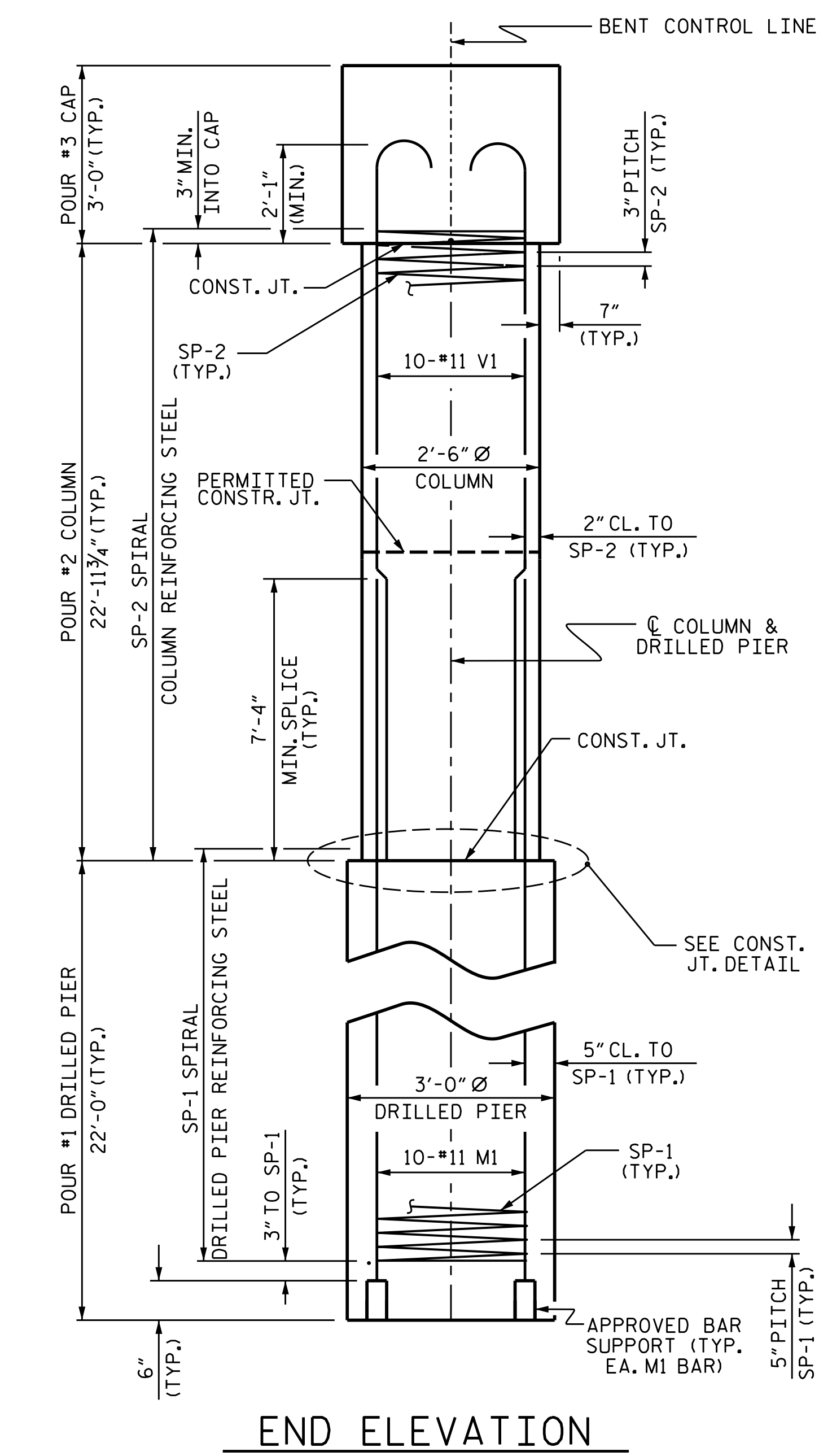


PLAN OF DRILLED PIERS & COLUMNS

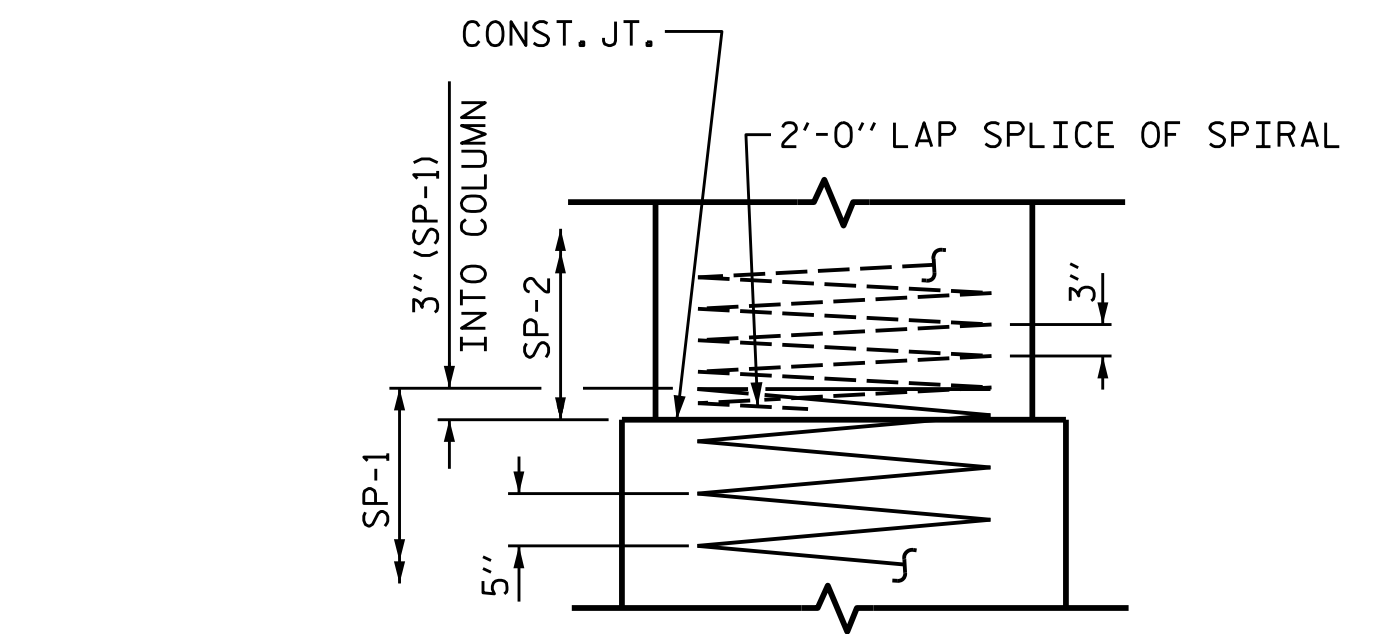


ALL BAR DIMENSIONS ARE OUT TO OUT

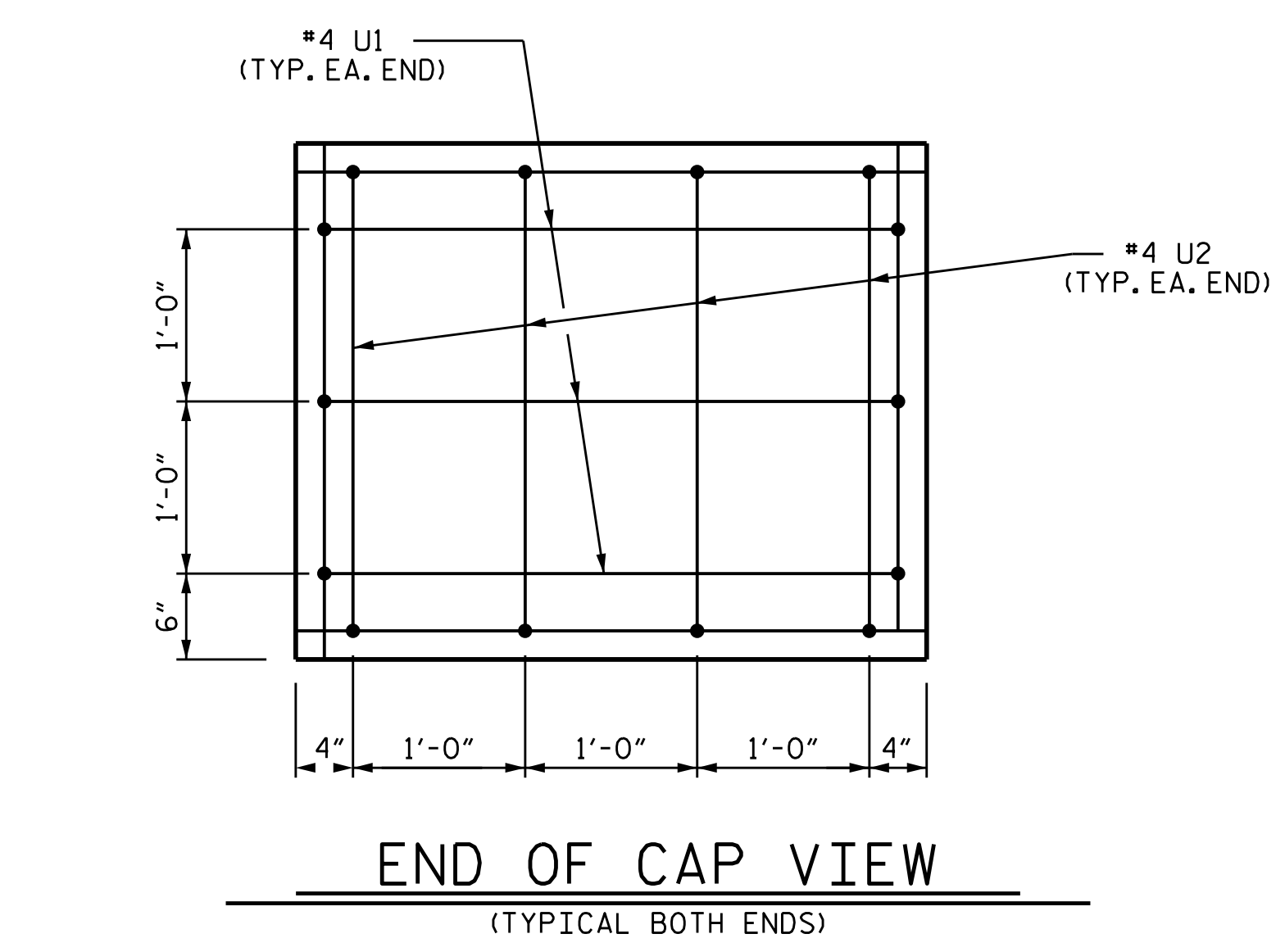
BILL OF MATERIAL					
BENT 1					
BAR NO.	NO.	SIZE	TYPE	LENGTH	WEIGHT
B1	10	#11	1	35'-2"	1868
B2	6	#5	STR	32'-2"	201
D1	40	#8	STR	2'-3"	240
M1	30	#11	STR	31'-10"	5074
S1	52	#5	2	9'-6"	515
U1	6	#4	3	6'-2"	25
U2	8	#4	3	5'-6"	29
V1	30	#11	4	26'-8"	4250
REINFORCING STEEL (FOR BENT 1)					12,202 LBS.
SP-1	3	*	5	353'-6"	1106
SP-2	3	**	6	630'-10"	1264
SPIRAL COLUMN REINFORCING STEEL (FOR BENT 1)					2370 LBS.
* THE SP-1 SPIRAL REINFORCING STEEL SHALL BE W31 OR D-31 COLD DRAWN WIRE OR #5 PLAIN OR DEFORMED BAR					
** THE SP-2 SPIRAL REINFORCING STEEL SHALL BE W20 OR D-20 COLD DRAWN WIRE OR #4 PLAIN OR DEFORMED BAR					
CLASS A CONCRETE BREAKDOWN (FOR BENT 1)					
POUR #2 (COLUMNS)					12.5 C.Y.
POUR #3 (CAP)					13.2 C.Y.
TOTAL CLASS A CONCRETE					25.7 C.Y.
DRILLED PIERS: (FOR BENT 1)					
DRILLED PIER CONCRETE					
POUR #1 (DRILLED PIER)					17.3 C.Y.
3'-0" Ø DRILLED PIER NOT IN SOIL					35 LIN. FT.
3'-0" Ø DRILLED PIER IN SOIL					31 LIN. FT.
CSL TUBES					282 LIN. FT.



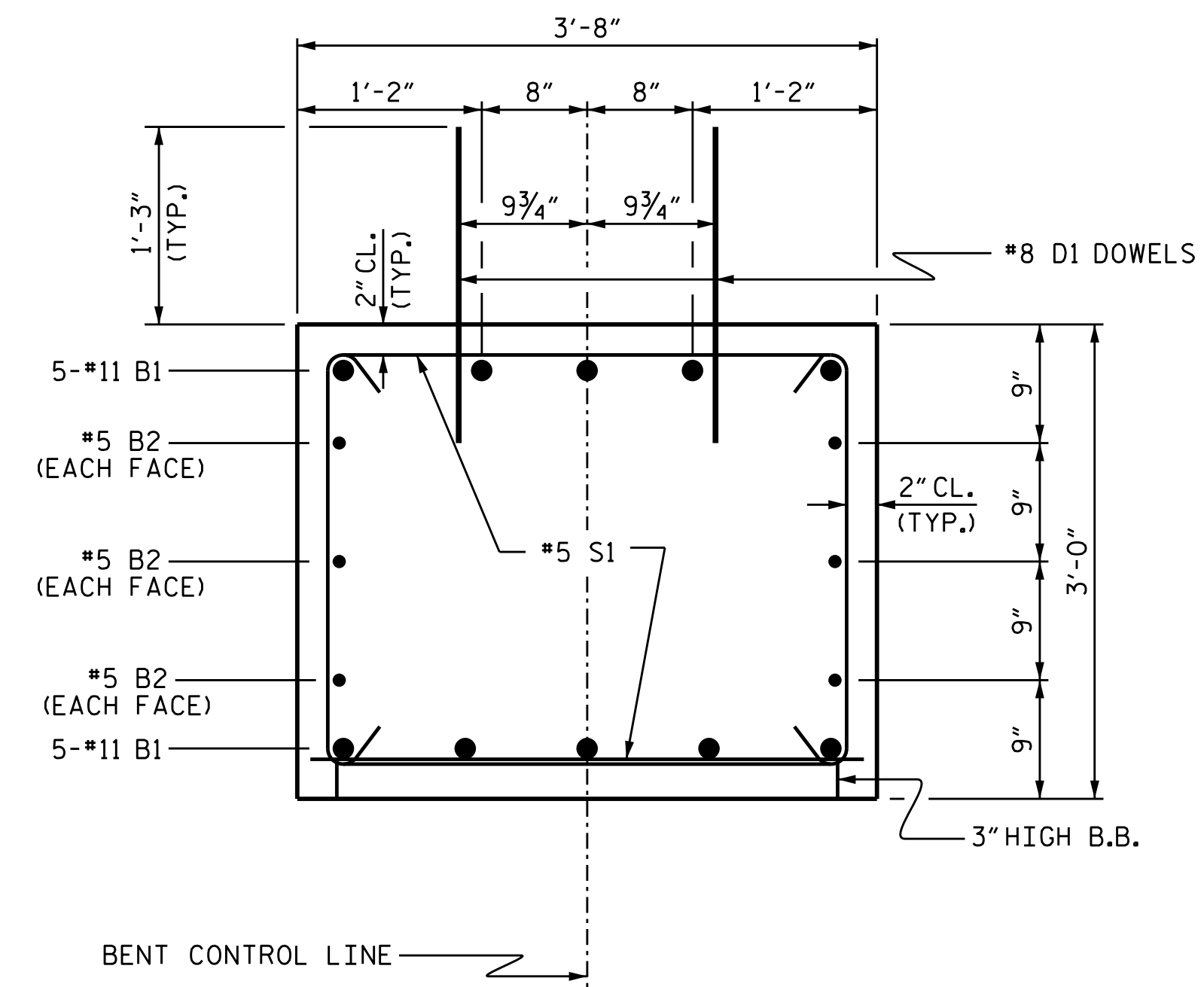
END ELEVATION



CONSTRUCTION JOINT DETAIL



END OF CAP VIEW (TYPICAL BOTH ENDS)



SECTION THRU CAP

DRAWN BY: J.M. KEPICH DATE: 02/16
 CHECKED BY: L.M. SAMPLES DATE: 04/16
 DESIGN ENGINEER OF RECORD: L.M. SAMPLES DATE: 05/16

ms consultants, inc.
 920 Main Campus Drive
 Suite 430
 Raleigh, NC 27606
 NC License Number: C-3239

DocuSigned by:
 Lisa M. Samples
 6663D099A9B449C...
 10/14/2016



PROJECT NO. B-5398
 BURKE COUNTY
 STATION: 16+45.00 -L-
 SHEET 2 OF 2

REVISIONS					
NO.	BY:	DATE:	NO.	BY:	DATE:
1			3		
2			4		

DEPARTMENT OF TRANSPORTATION RALEIGH				
SUBSTRUCTURE				
BENT No. 1				
SHEET NO. S-17				
TOTAL SHEETS 24				