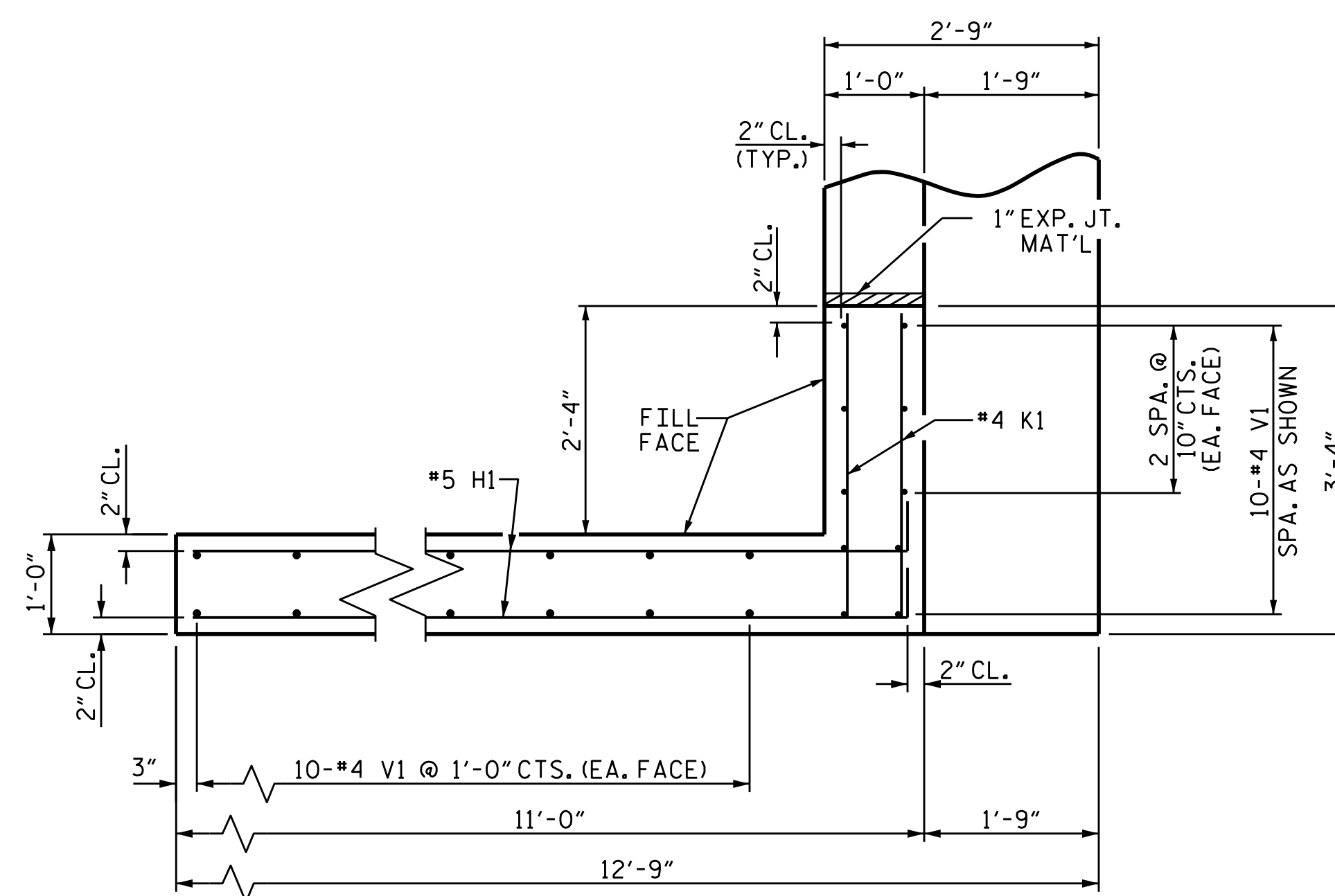
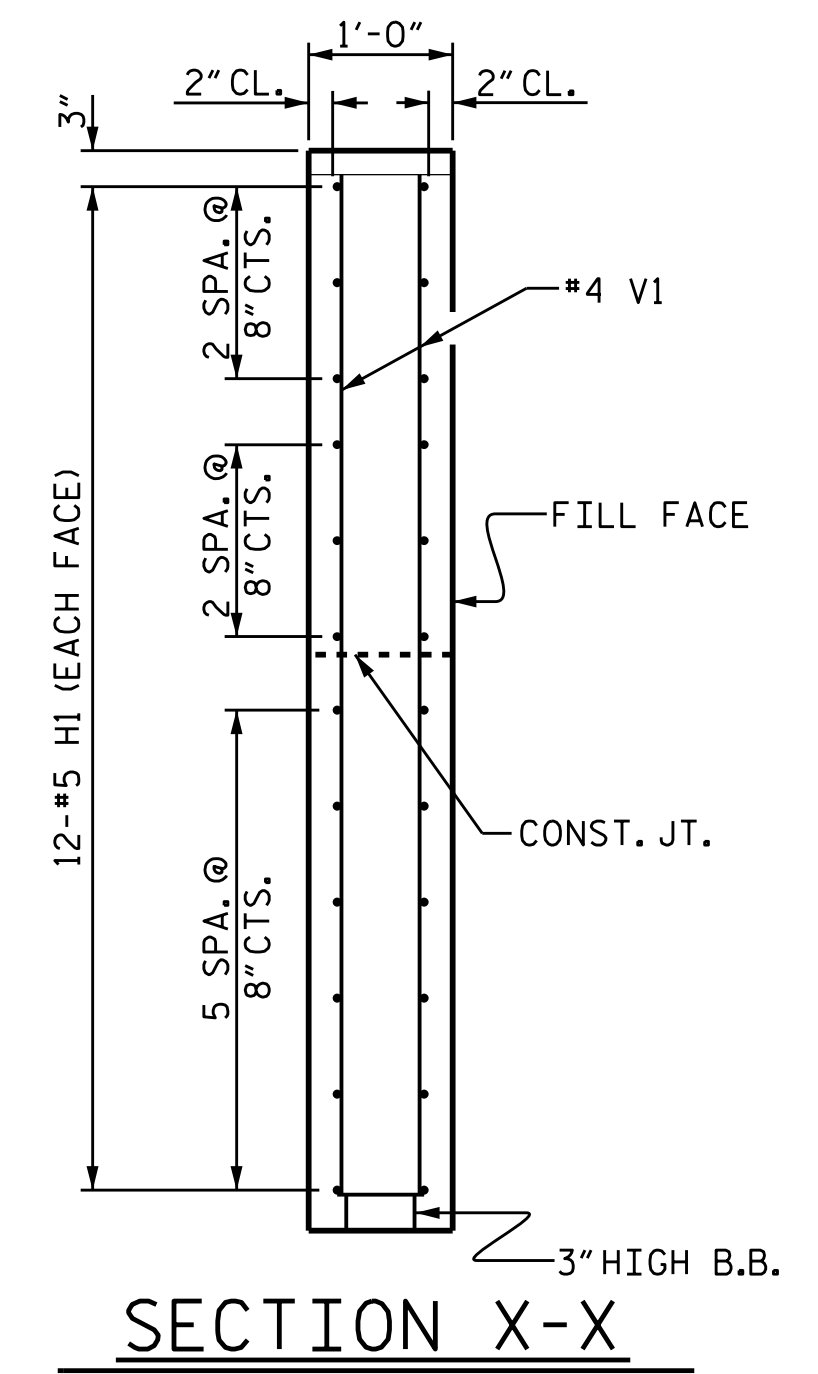


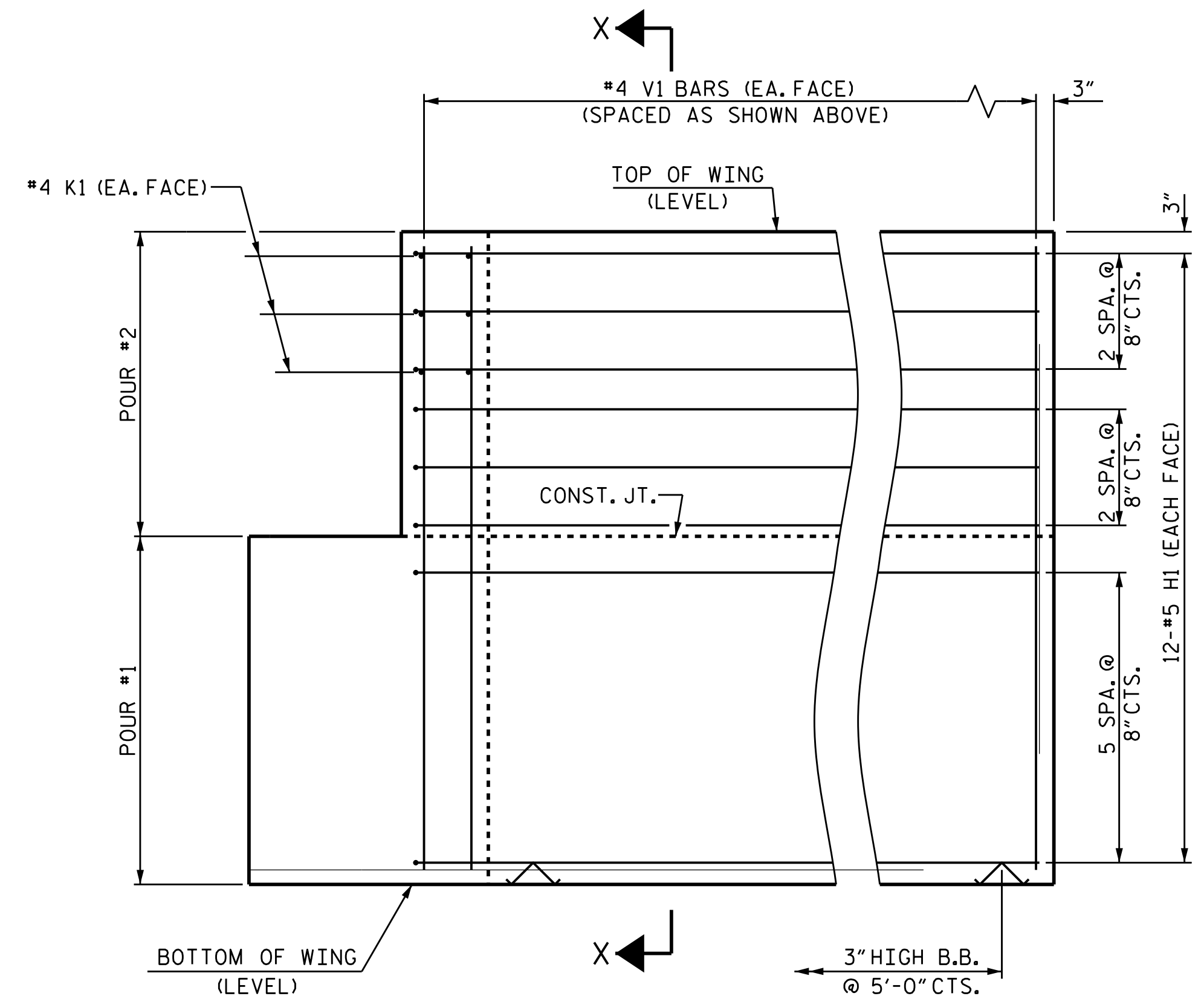
PLAN OF WING (W1)



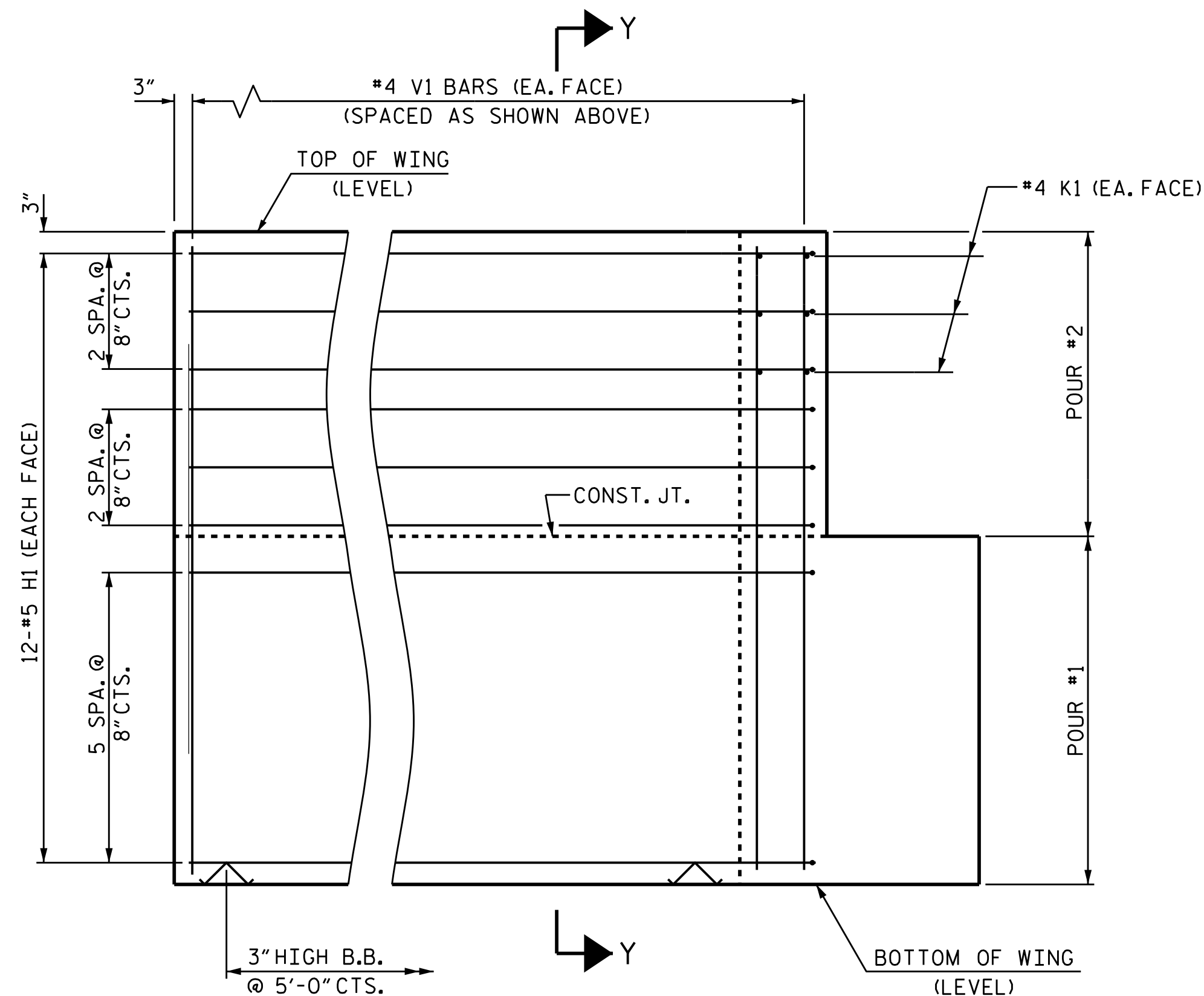
PLAN OF WING (W2)



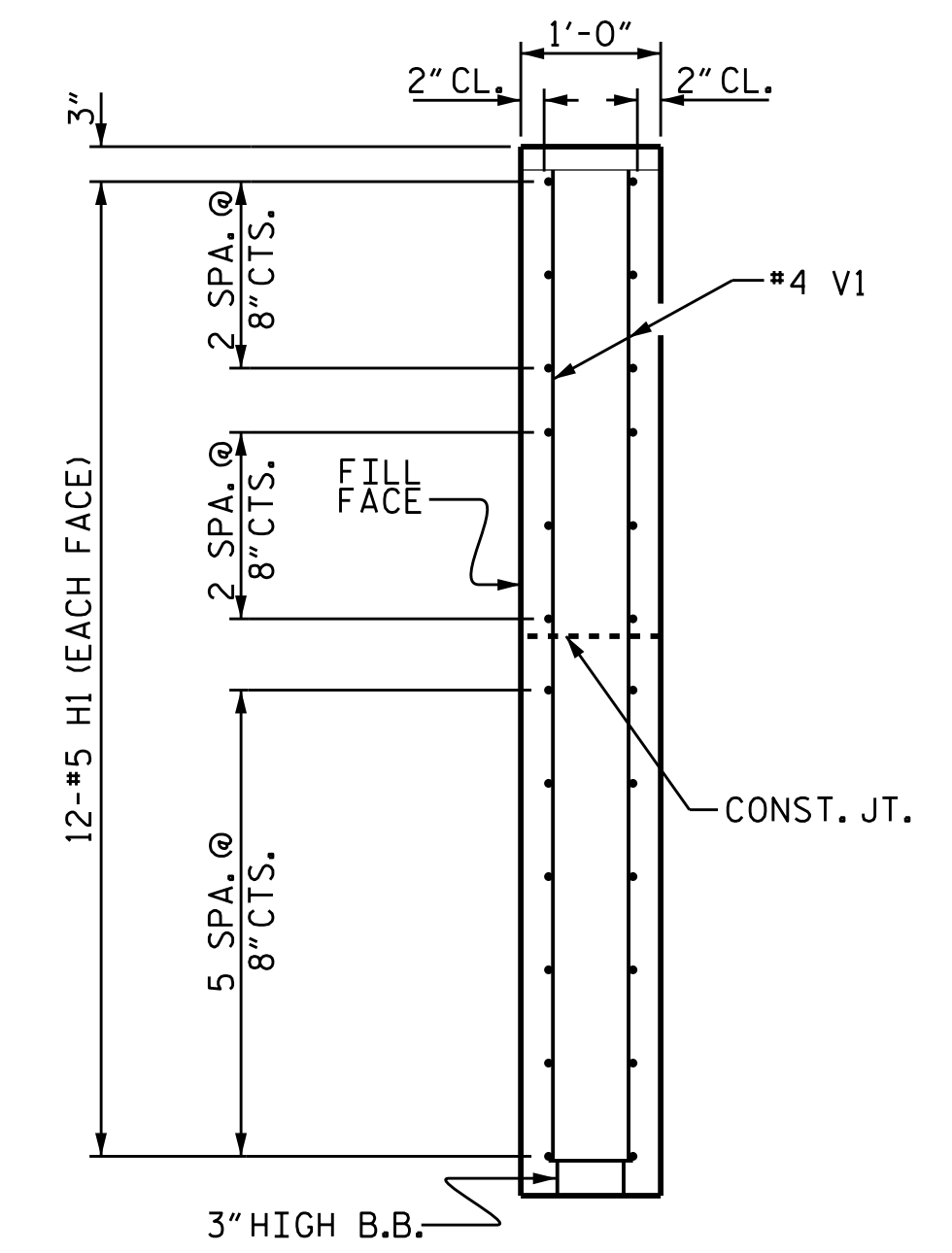
SECTION X-X



ELEVATION OF WING (W1)



ELEVATION OF WING (W2)



SECTION Y-Y

WING DETAILS

PROJECT NO. B-5398
 BURKE COUNTY
 STATION: 16+45.00 -L-
 SHEET 2 OF 3

STATE OF NORTH CAROLINA
 DEPARTMENT OF TRANSPORTATION
 RALEIGH
 SUBSTRUCTURE
 END BENT No. 1
 WING DETAILS

ASSEMBLED BY: J.M. KEPICH DATE: 02/16
 CHECKED BY: L.M. SAMPLES DATE: 04/16
 DRAWN BY: WJH 12/11 REV. 4/15 MAA/TMG
 CHECKED BY: AAC 12/11

DESIGN ENGINEER OF RECORD: L.M. SAMPLES DATE: 05/16

ms consultants, inc.
 920 Main Campus Drive
 Suite 430
 Raleigh, NC 27606
 NC License Number: C-3239

DocuSigned by:
 Lisa M. Samples
 5663D096A9B449C
 7/4/2016



DOCUMENT NOT CONSIDERED FINAL UNLESS ALL SIGNATURES COMPLETED

REVISIONS						SHEET NO.
NO.	BY:	DATE:	NO.	BY:	DATE:	S-14
1			3			TOTAL SHEETS 24
2			4			