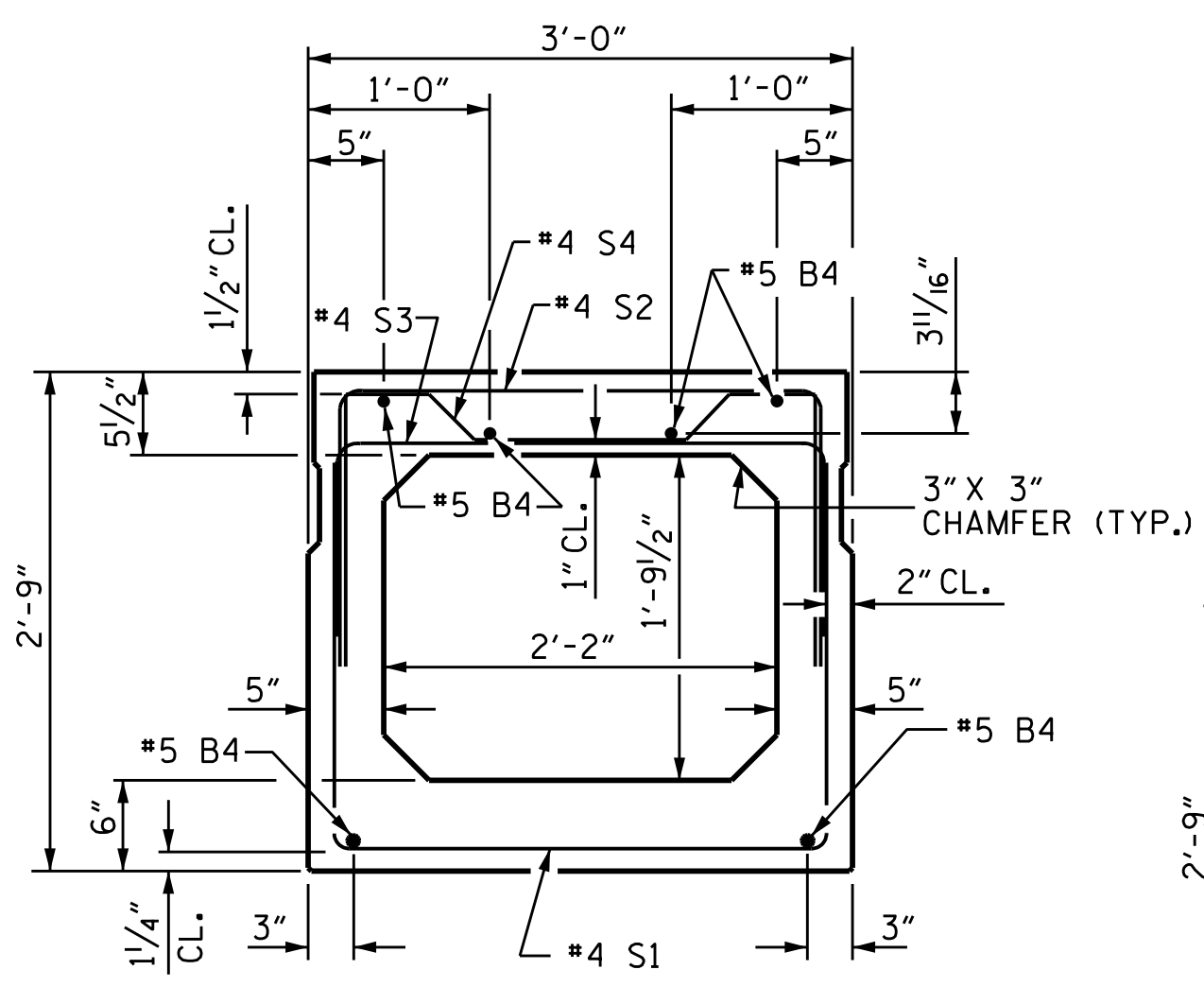


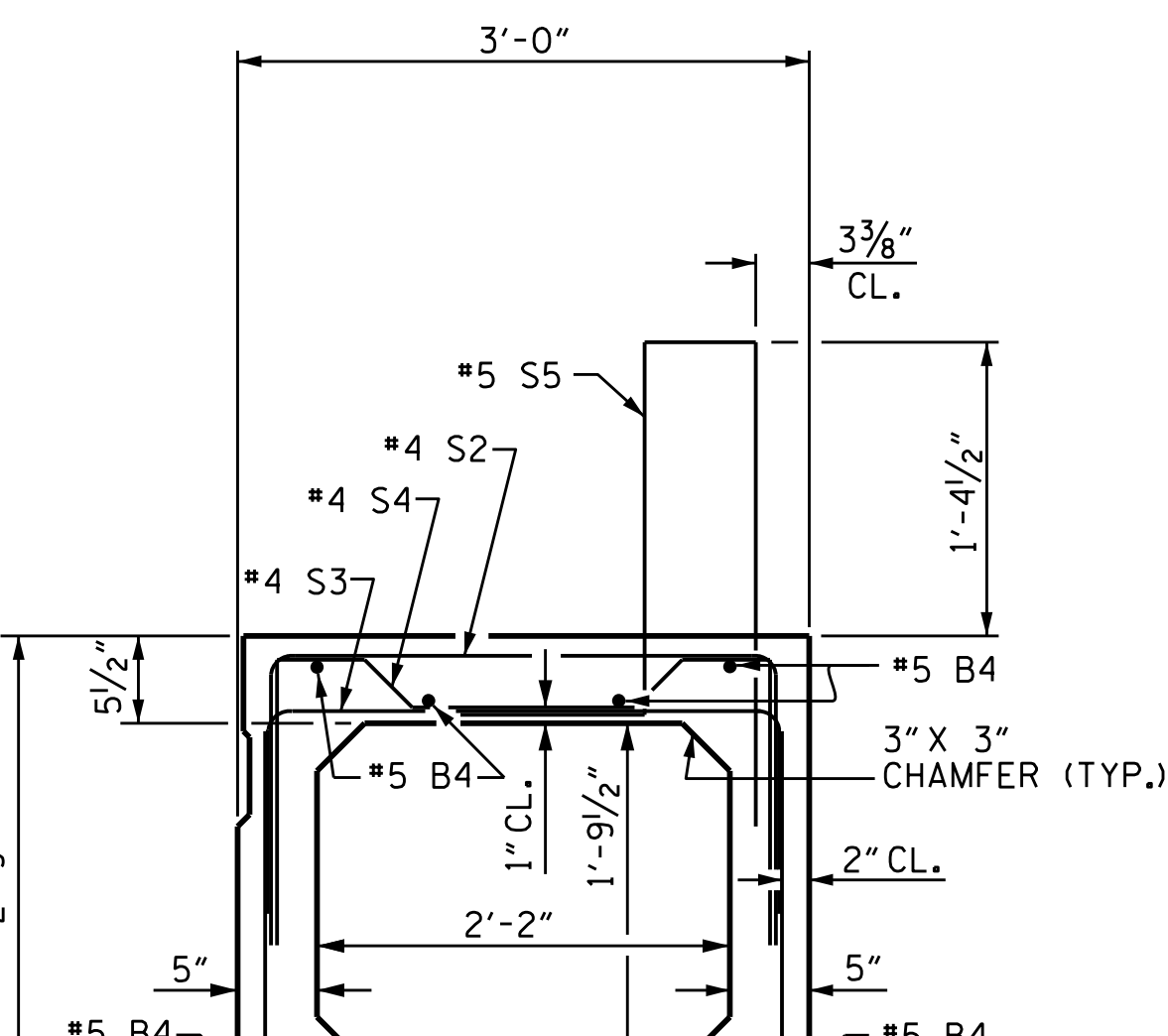
END ELEVATION

SHOWING PLACEMENT OF #5 & #4 "A" BARS AND LOCATION OF DOWEL HOLES. (INTERIOR BOX BEAM SECTION SHOWN-EXTERIOR SECTION SIMILAR EXCEPT SHEAR KEY LOCATION. STRAND LAYOUT NOT SHOWN.)



INTERIOR BOX BEAM SECTION

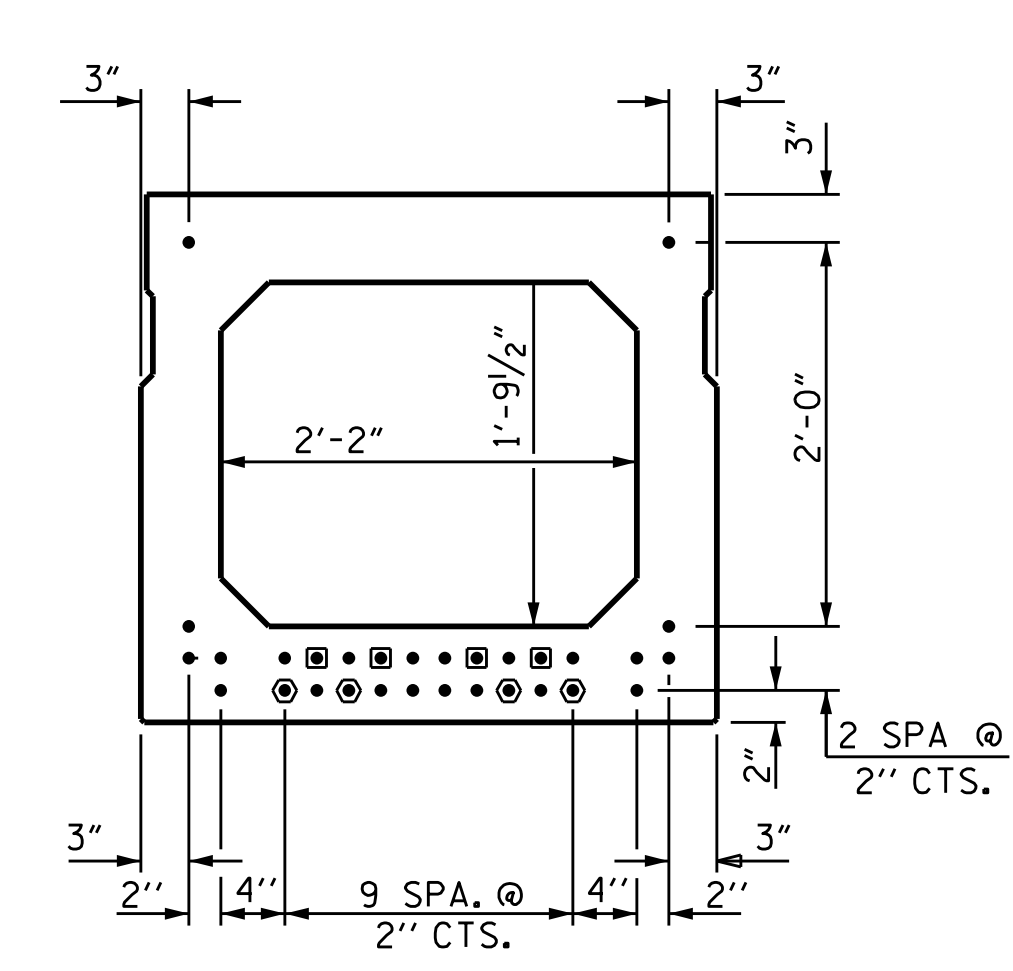
(STRAND LAYOUT NOT SHOWN)



EXTERIOR BOX BEAM SECTION

(STRAND LAYOUT NOT SHOWN)

0.6" Ø LOW RELAXATION STRAND LAYOUT



TYPICAL STRAND LOCATION

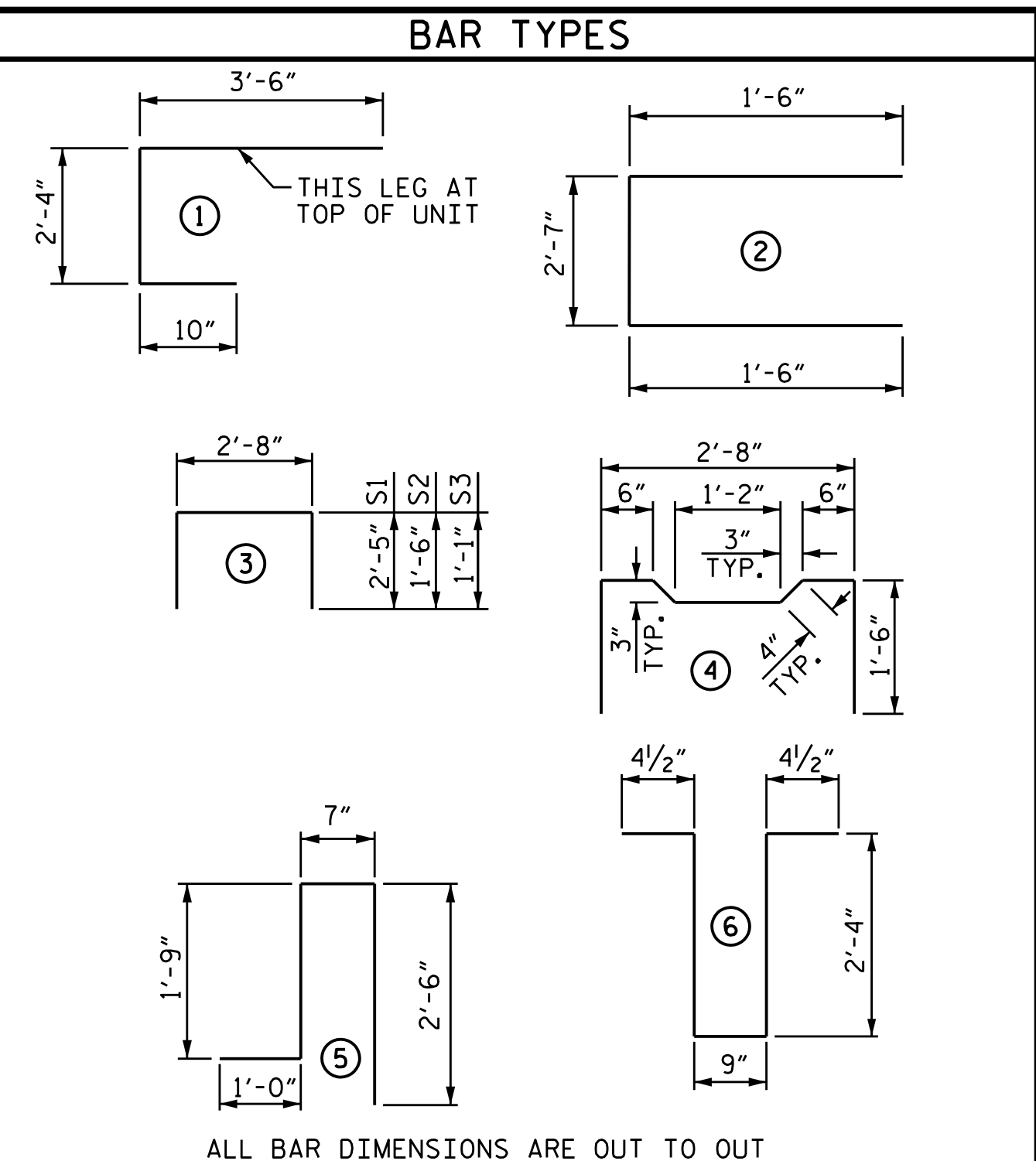
(30 STRANDS REQUIRED)

DEBONDING LEGEND

- FULLY BONDED STRANDS
- ◐ STRANDS DEBONDED FOR 4'-0" FROM END OF GIRDER
- ◑ STRANDS DEBONDED FOR 12'-0" FROM END OF GIRDER

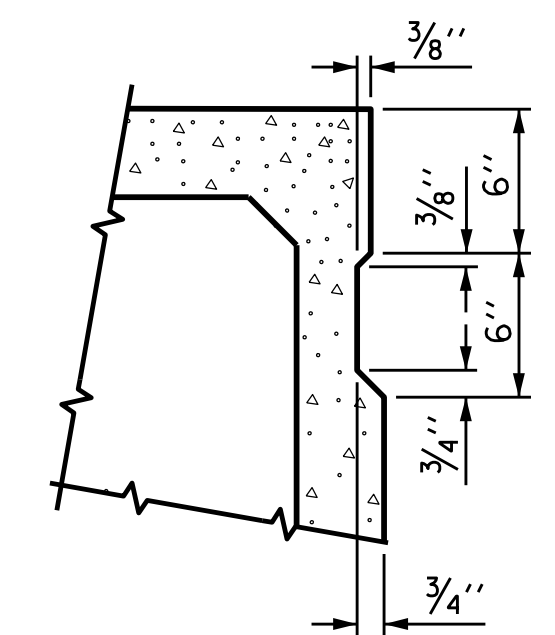
BOND SHALL BE BROKEN ON STRANDS AS SHOWN FOR THE SPECIFIED LENGTH FROM EACH END OF THE BOX BEAM. SEE STANDARD SPECIFICATIONS ARTICLE 1078-7.

GRADE 270 STRANDS	
	0.6" Ø L.R.
AREA (SQUARE INCHES)	0.217
ULTIMATE STRENGTH (LBS. PER STRAND)	58,600
APPLIED PRESTRESS (LBS. PER STRAND)	43,950



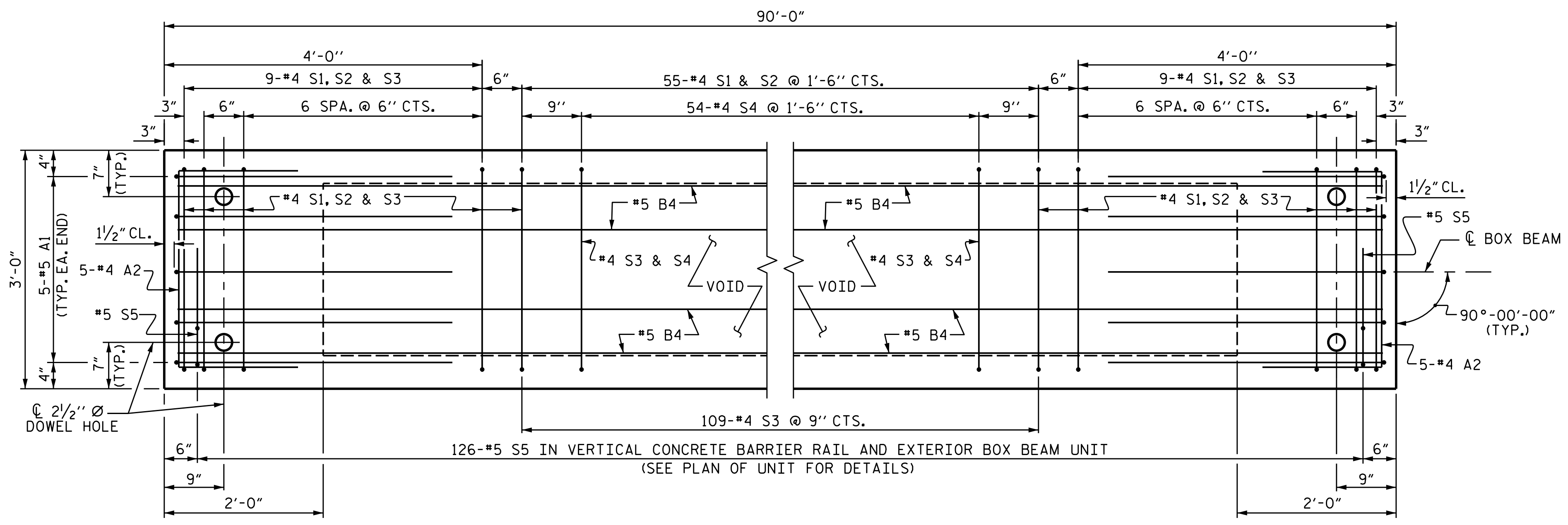
BILL OF MATERIAL FOR ONE BOX BEAM SECTION

BAR	NUMBER	SIZE	TYPE	EXTERIOR UNIT		INTERIOR UNIT	
				LENGTH	WEIGHT	LENGTH	WEIGHT
A1	10	#5	1	6'-8"	70	6'-8"	70
A2	40	#4	2	5'-7"	149	5'-7"	149
B4	12	#5	STR	45'-11"	575	45'-11"	575
K1	15	#4	6	6'-2"	62	6'-2"	62
K2	10	#4	STR	2'-7"	17	2'-7"	17
S1	73	#4	3	7'-6"	366	7'-6"	366
S2	73	#4	3	5'-8"	276	5'-8"	276
S3	127	#4	3	4'-10"	410	4'-10"	410
S4	54	#4	4	5'-10"	210	5'-10"	210
* S5	126	#5	5	5'-10"	767	--	--
REINFORCING STEEL				2135	LBS.	2135	LBS.
* EPOXY COATED REINF. STEEL				767	LBS.		
8000 P.S.I. CONCRETE				16.0	CU. YDS.	15.9	CU. YDS.
0.6" Ø L.R. STRANDS				No. 30		No. 30	



SHEAR KEY DETAIL

NOTE: OMIT SHEAR KEY ON OUTSIDE FACE OF EXTERIOR BOX BEAMS.



PLAN OF BOX BEAM

EXTERIOR UNIT SHOWN, INTERIOR UNIT SIMILAR EXCEPT OMIT #5 S5 BARS. FOR LOCATION OF DIAPHRAGMS, SEE "PLAN OF UNIT". FOR THREADED INSERTS, SEE "THREADED INSERT DETAIL". FOR REINFORCING STEEL IN DIAPHRAGMS, SEE "DOUBLE DIAPHRAGM DETAILS".

PROJECT NO. B-5398
BURKE COUNTY
 STATION: 16+45.00 -L-
 SHEET 5 OF 7

DocuSigned by:
Leon M. Samples
 5663D09A9B449C...
 7/4/2016



STATE OF NORTH CAROLINA
 DEPARTMENT OF TRANSPORTATION
 RALEIGH
 STANDARD
 3'-0" X 2'-9"
 PRESTRESSED CONCRETE
 BOX BEAM UNIT
 SPAN B

REVISIONS						SHEET NO.
NO.	BY:	DATE:	NO.	BY:	DATE:	S-09
1			3			TOTAL SHEETS 24
2			4			

ASSEMBLED BY : J.M. KEPICH DATE : 02/16
 CHECKED BY : L.M. SAMPLES DATE : 04/16
 DRAWN BY : DGE 10/11 REV. 9/14 MAA/TMG
 CHECKED BY : TMG 11/11

DESIGN ENGINEER OF RECORD : L.M. SAMPLES DATE : 05/16

ms consultants, inc.
 920 Main Campus Drive
 Suite 430
 Raleigh, NC 27606
 NC License Number : C-3239

DOCUMENT NOT CONSIDERED FINAL UNLESS ALL SIGNATURES COMPLETED