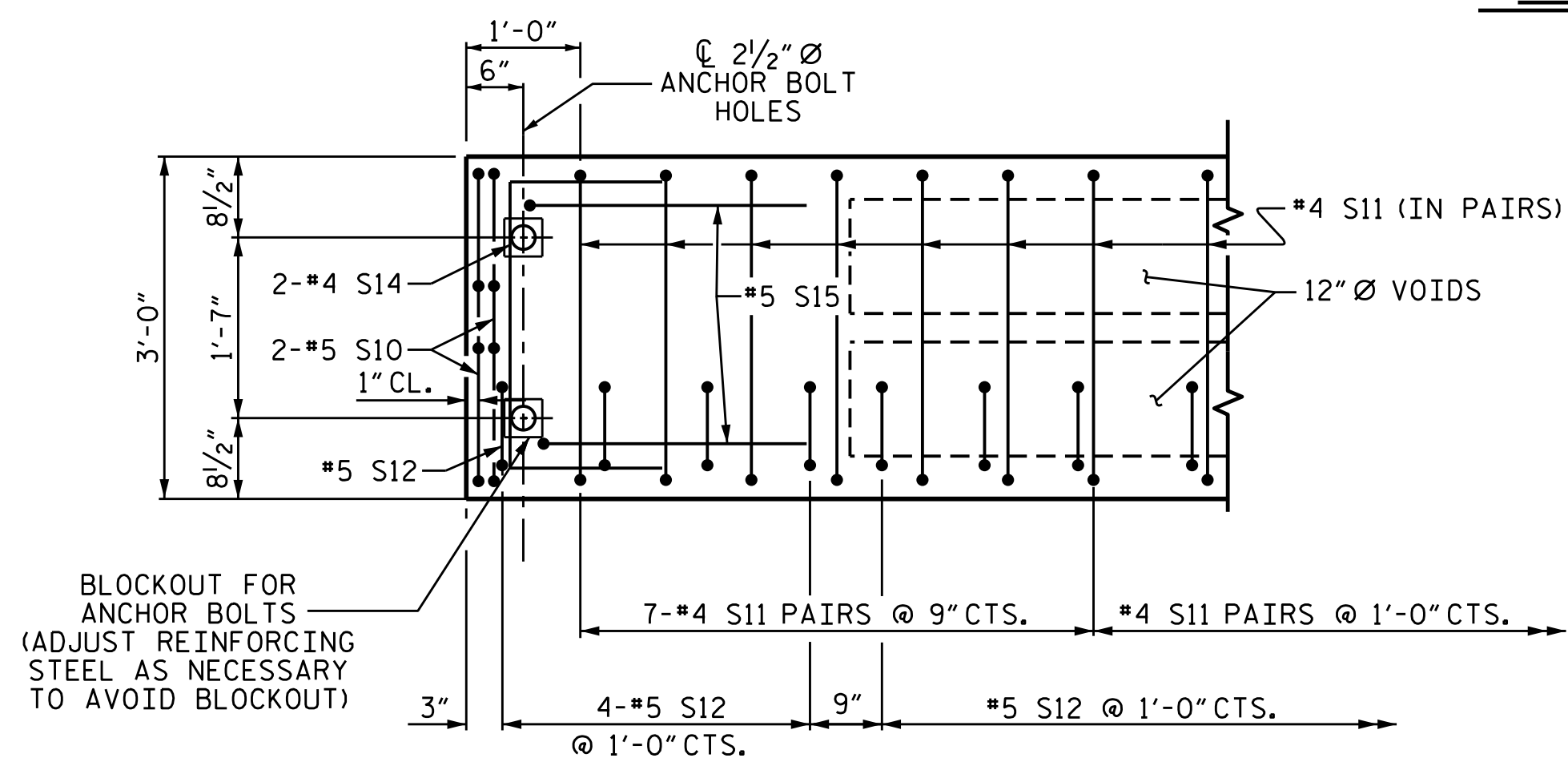
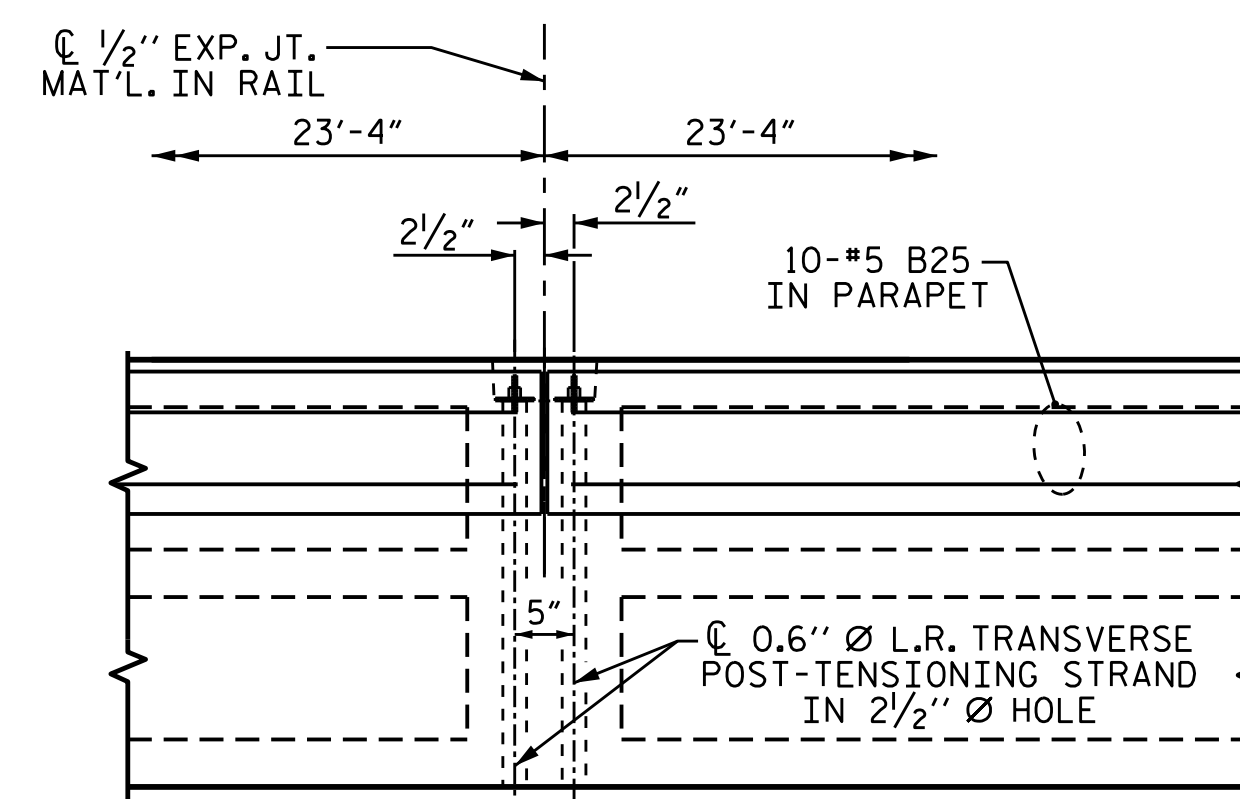


PLAN OF UNIT



DETAIL "A"

(TYP. EACH END OF UNIT)  
NOTE: EXTERIOR UNIT SHOWN - INTERIOR UNIT SIMILAR EXCEPT OMIT #5 S12 BARS.

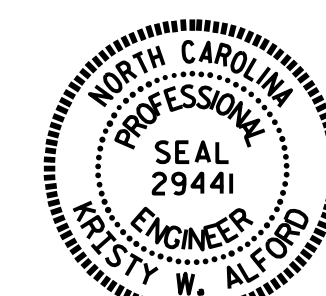


DETAIL "B"

#4 S11 BARS MAY BE SHIFTED AS NECESSARY TO MAINTAIN 1" CLEAR TO GROUDED RECESS AND 2 1/2" Ø TRANSVERSE POST-TENSIONING STRAND HOLES

PROJECT NO. B-5343  
ROCKINGHAM COUNTY  
 STATION: 16+60.00 -L-  
 SHEET 2 OF 3

STATE OF NORTH CAROLINA  
 DEPARTMENT OF TRANSPORTATION  
 RALEIGH  
 PLAN OF 70' UNIT  
 30'-6" CLEAR ROADWAY  
 90° SKEW



DocuSigned by:  
 Westy W. Alford  
 9/21/2016

ASSEMBLED BY :	H. B. DESAI	DATE :	10/8/15
CHECKED BY :	E. I. OMILE	DATE :	10/30/15
DRAWN BY :	MAA 6/10	REV. 12/5/11	MAA/AAC
CHECKED BY :	MKT 7/10	REV. 8/14	MAA/TMG

DOCUMENT NOT CONSIDERED  
 FINAL UNLESS ALL  
 SIGNATURES COMPLETED

REVISIONS						SHEET NO.
NO.	BY:	DATE:	NO.	BY:	DATE:	S-6
1			3			TOTAL SHEETS
2			4			18