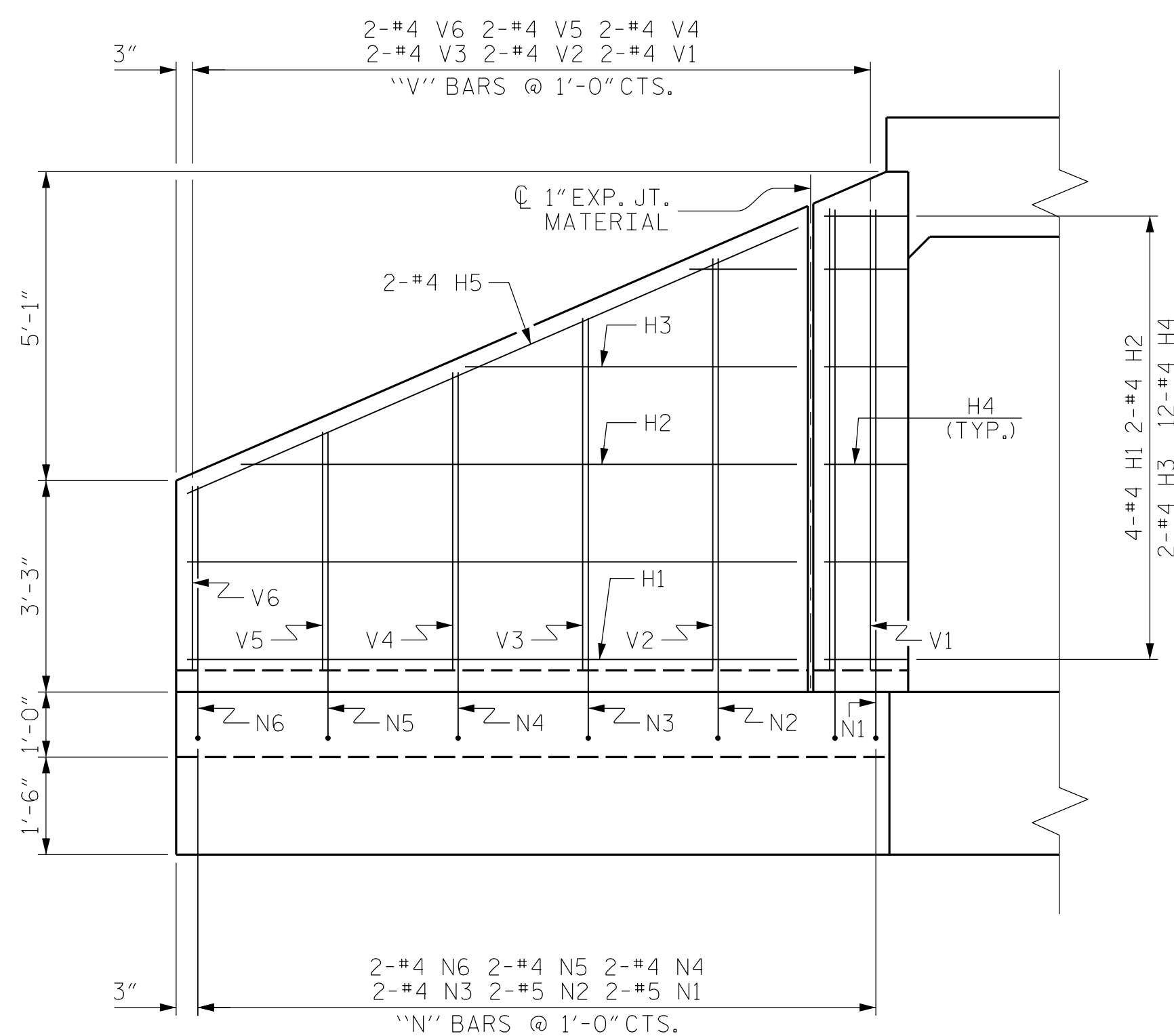
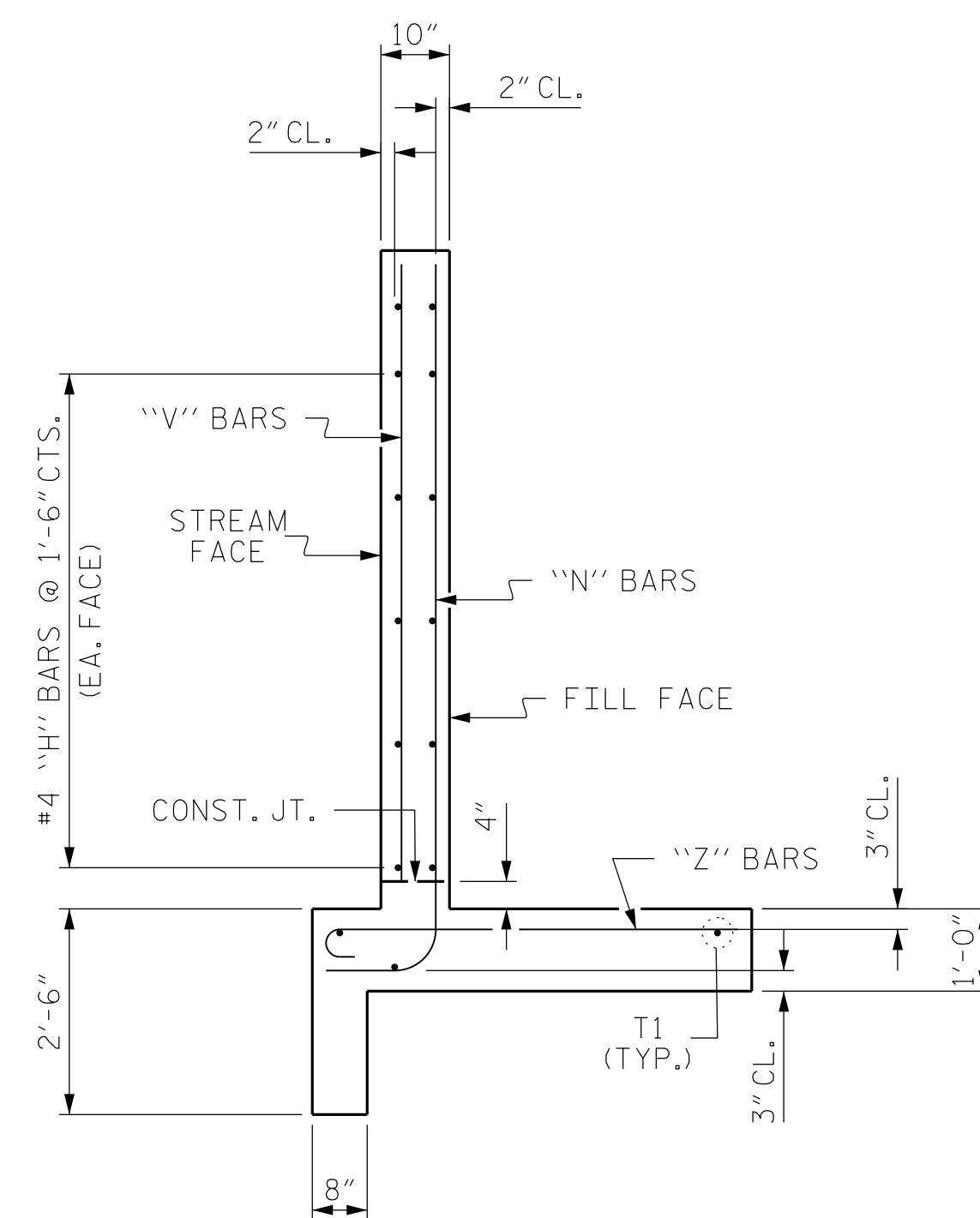


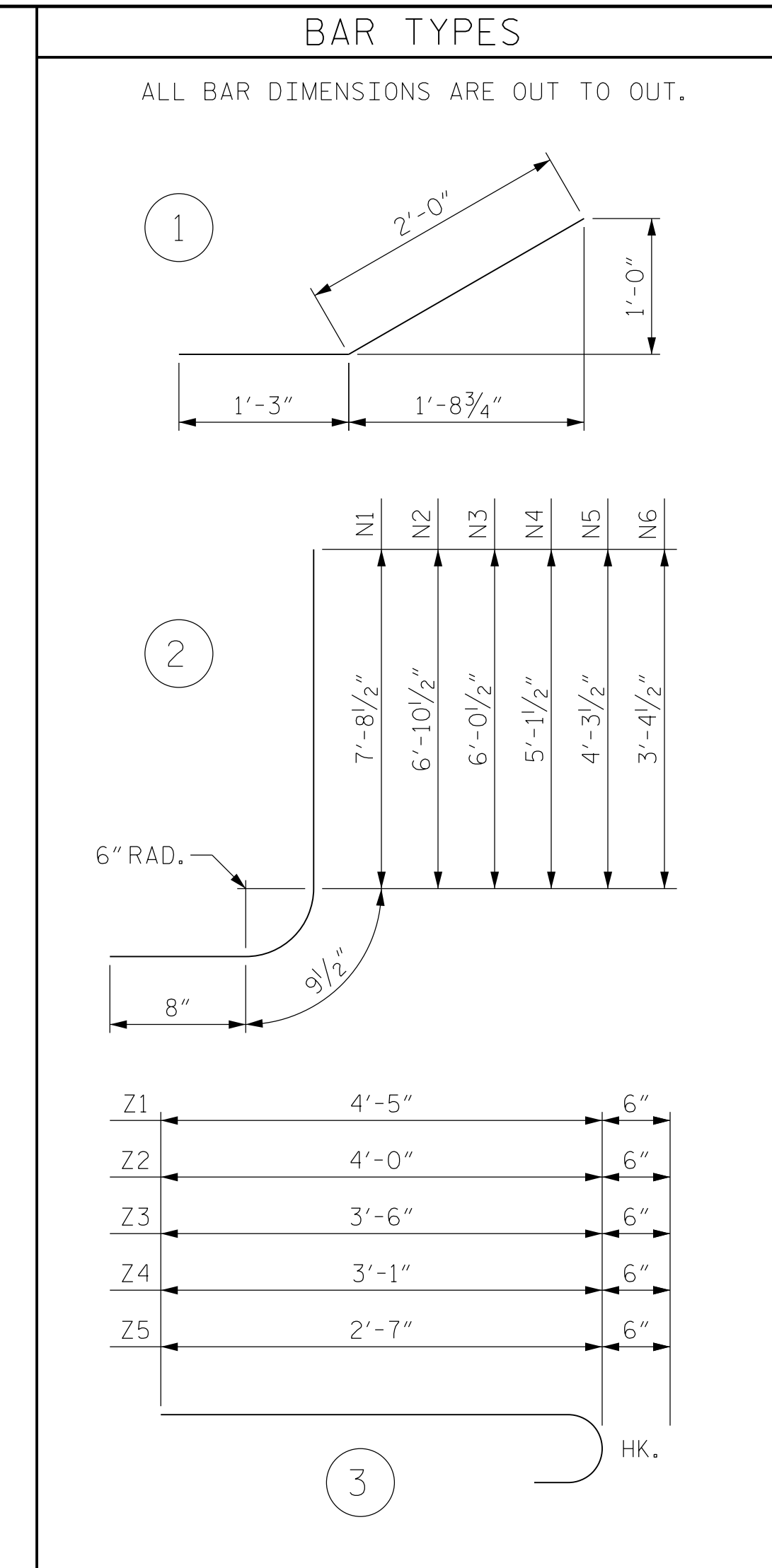
PLAN W1, W4



ELEVATION W1, W4



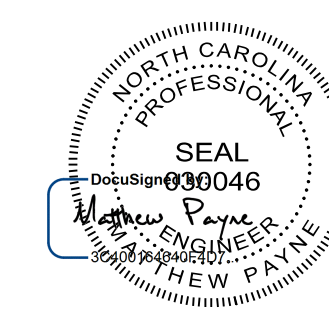
TYPICAL WING SECTION



BILL OF MATERIAL					
BAR	NO.	SIZE	TYPE	LENGTH	WEIGHT
H1	8	#4	STR	9'-4"	50
H2	4	#4	STR	8'-6"	23
H3	4	#4	STR	5'-1"	14
H4	24	#4	1	3'-3"	52
H5	4	#4	STR	10'-3"	27
N1	4	#5	2	9'-2"	38
N2	4	#5	2	8'-4"	35
N3	4	#4	2	7'-6"	20
N4	4	#4	2	6'-7"	18
N5	4	#4	2	5'-9"	15
N6	4	#4	2	4'-10"	13
S5	6	#6	STR	6'-0"	54
T1	6	#5	STR	11'-3"	70
V1	4	#4	STR	7'-1"	19
V2	4	#4	STR	6'-4"	17
V3	4	#4	STR	5'-5"	14
V4	4	#4	STR	4'-7"	12
V5	4	#4	STR	3'-8"	10
V6	4	#4	STR	2'-10"	8
Z1	8	#4	3	4'-11"	26
Z2	4	#4	3	4'-6"	12
Z3	4	#4	3	4'-0"	11
Z4	4	#4	3	3'-7"	10
Z5	4	#4	3	3'-1"	8

TOTAL REINFORCING STEEL FOR 2 WINGS		572	LBS
CLASS A CONCRETE			
2 WINGS		8.6	CY
1 HEADWALLS		1.4	CY
1 END CURTAIN WALLS		2.3	CY
TOTAL		12.3	CY

DOCUMENT NOT CONSIDERED FINAL UNLESS ALL SIGNATURES COMPLETED



9/28/2016

PROJECT NO. 17BP.3.R.28
 NEW HANOVER COUNTY
 STATION: 14+60.69 -L-

STATE OF NORTH CAROLINA
 DEPARTMENT OF TRANSPORTATION
 RALEIGH
STANDARD WINGS
 FOR
CONCRETE BOX CULVERT
 H = 7'-0" SLOPE = 2:1
 90° SKEW

ASSEMBLED BY : C. DESROCHERS DATE : MAY 2014
 CHECKED BY : M. PAYNE DATE : MAY 2014
 DRAWN BY : CCJ 10/99
 CHECKED BY : RWW 03/00

ATKINS 1616 E. MILLBROOK ROAD, SUITE #310
 RALEIGH, NORTH CAROLINA 27609
 (919) 876-6888 NCBEE #F-0326

REVISIONS						SHEET NO.
NO.	BY:	DATE:	NO.	BY:	DATE:	C-10
1			3			TOTAL SHEETS
2			4			11

STD. NO. CW9007