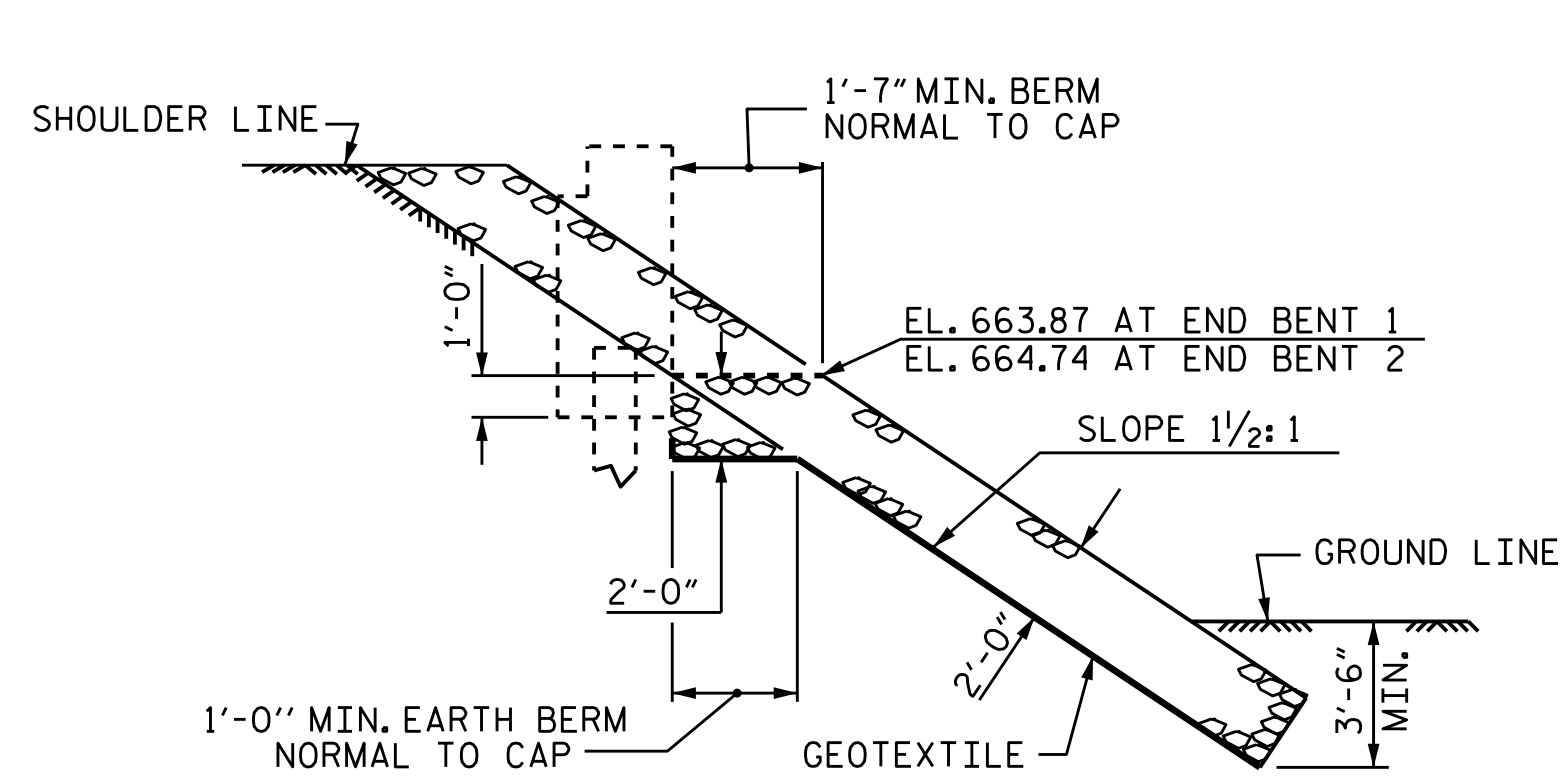
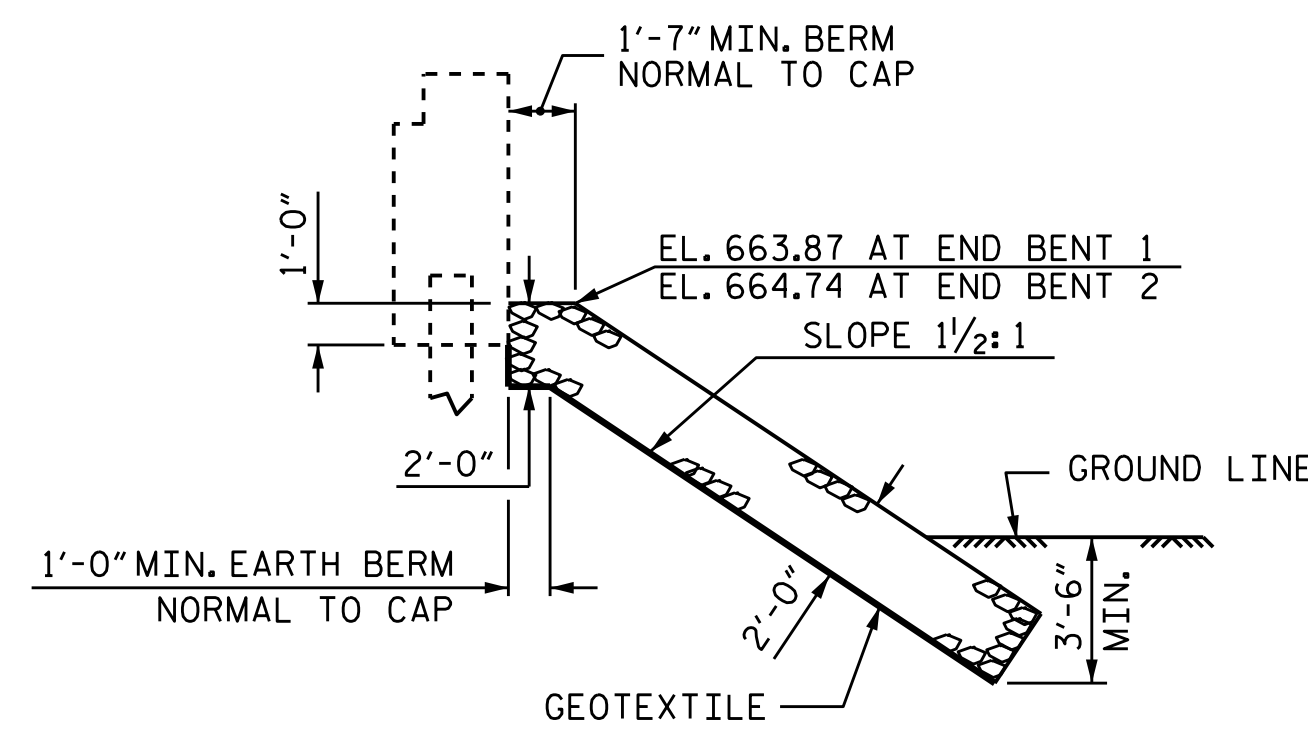


PLAN

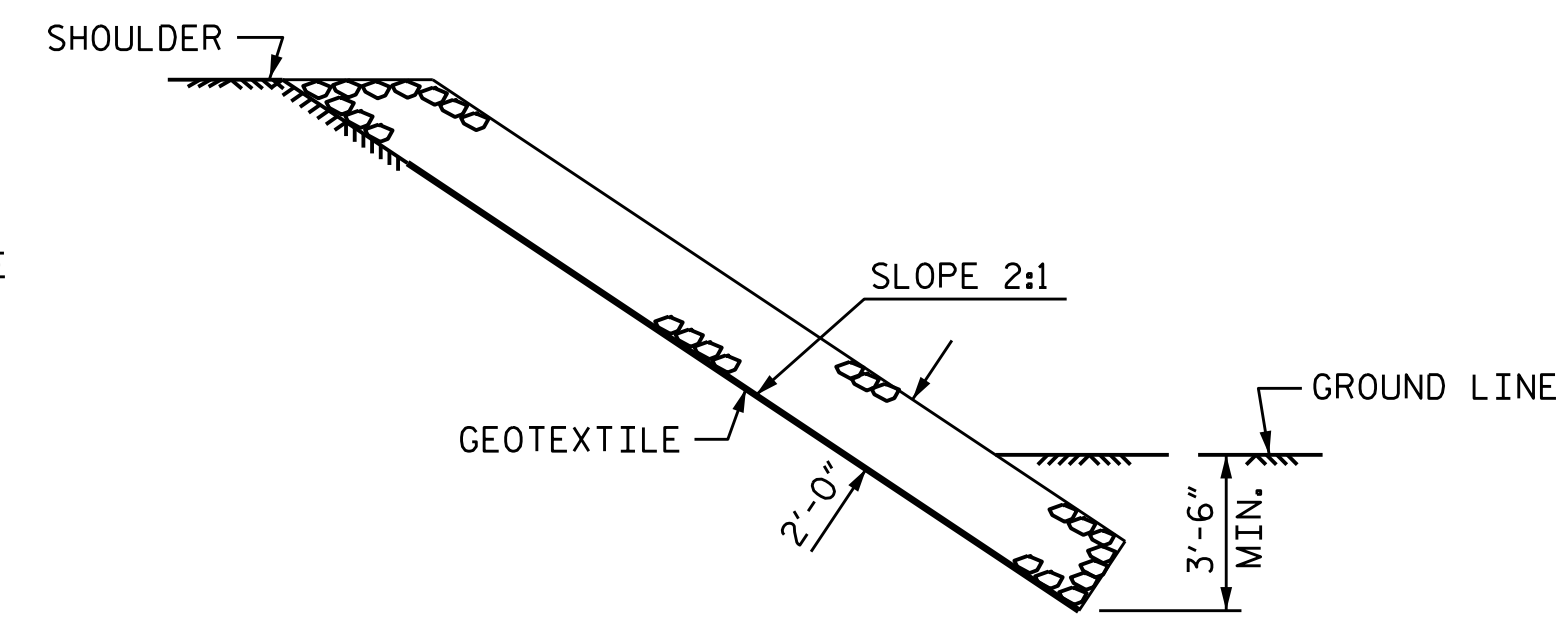
ESTIMATED QUANTITIES		
BRIDGE @ STA. 68+25.60 -L- (RIGHT LANE)	RIP RAP CLASS II (2'-0" THICK)	GEOTEXTILE FOR DRAINAGE
	TONS	SQUARE YARDS
END BENT 1	160	180
END BENT 2	145	160



SECTION H-H

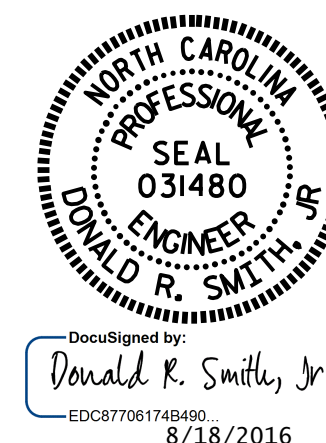


SECTION C-C  
BERM RIP RAPPED



SECTION C-C

PROJECT NO. U-3440  
CABARRUS COUNTY  
 STATION: 68+25.60 -L-



STATE OF NORTH CAROLINA  
 DEPARTMENT OF TRANSPORTATION  
 RALEIGH  
 STANDARD  
 —RIP RAP DETAILS—  
 (RIGHT LANE)

ASSEMBLED BY : K. D. LAYNE	DATE : 01/27/16
CHECKED BY : R. P. PATEL	DATE : 03/01/16
DRAWN BY : REK 1/84	REV. 5/1/06R TLA/GM
CHECKED BY : RDU 1/84	REV. 10/1/11 MAA/GM
	REV. 12/21/11 MAA/GM

DOCUMENT NOT CONSIDERED  
 FINAL UNLESS ALL  
 SIGNATURES COMPLETED

REVISIONS						SHEET NO.
NO.	BY:	DATE:	NO.	BY:	DATE:	TOTAL SHEETS
1			3			S2-35
2			4			37