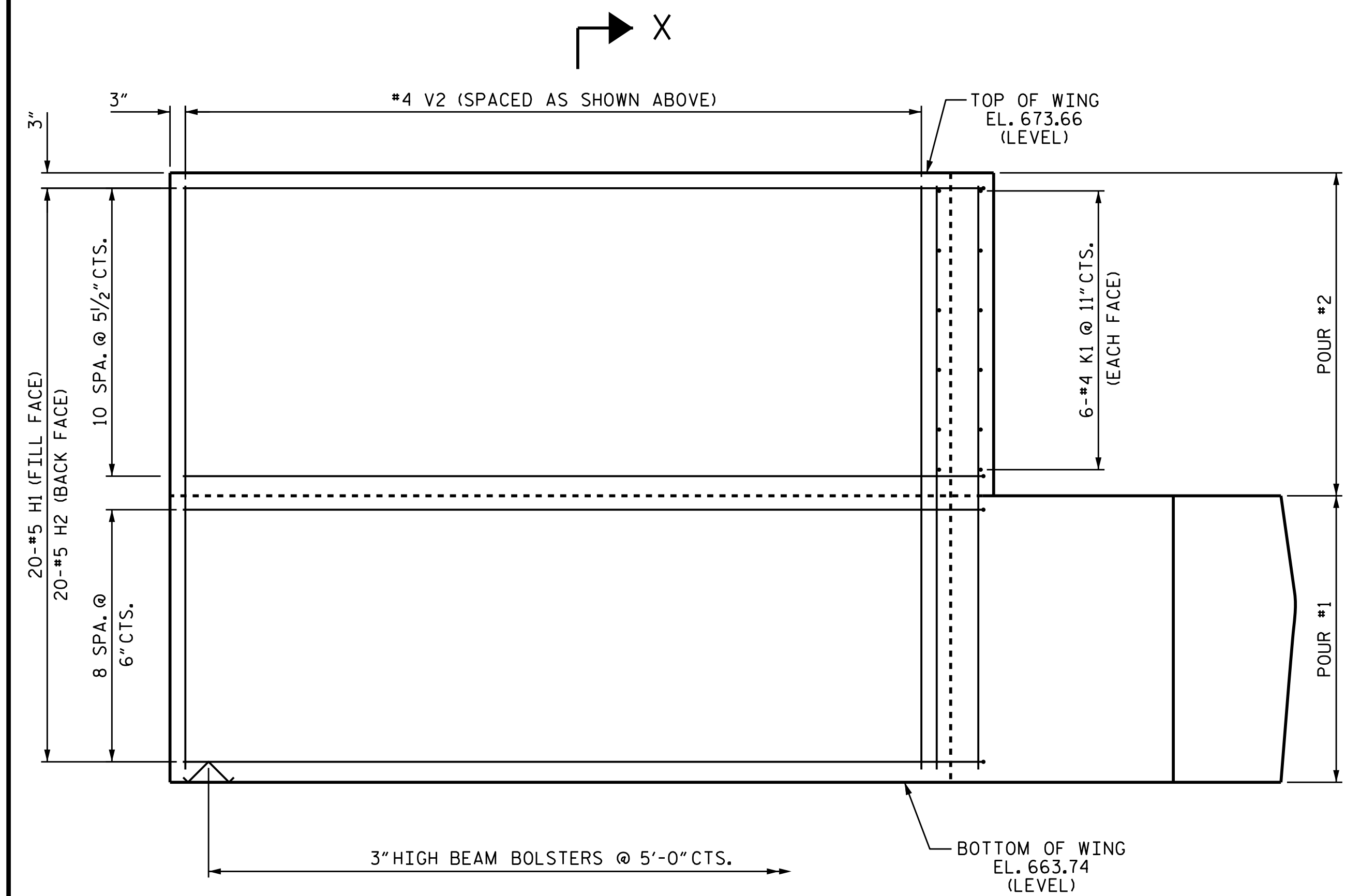
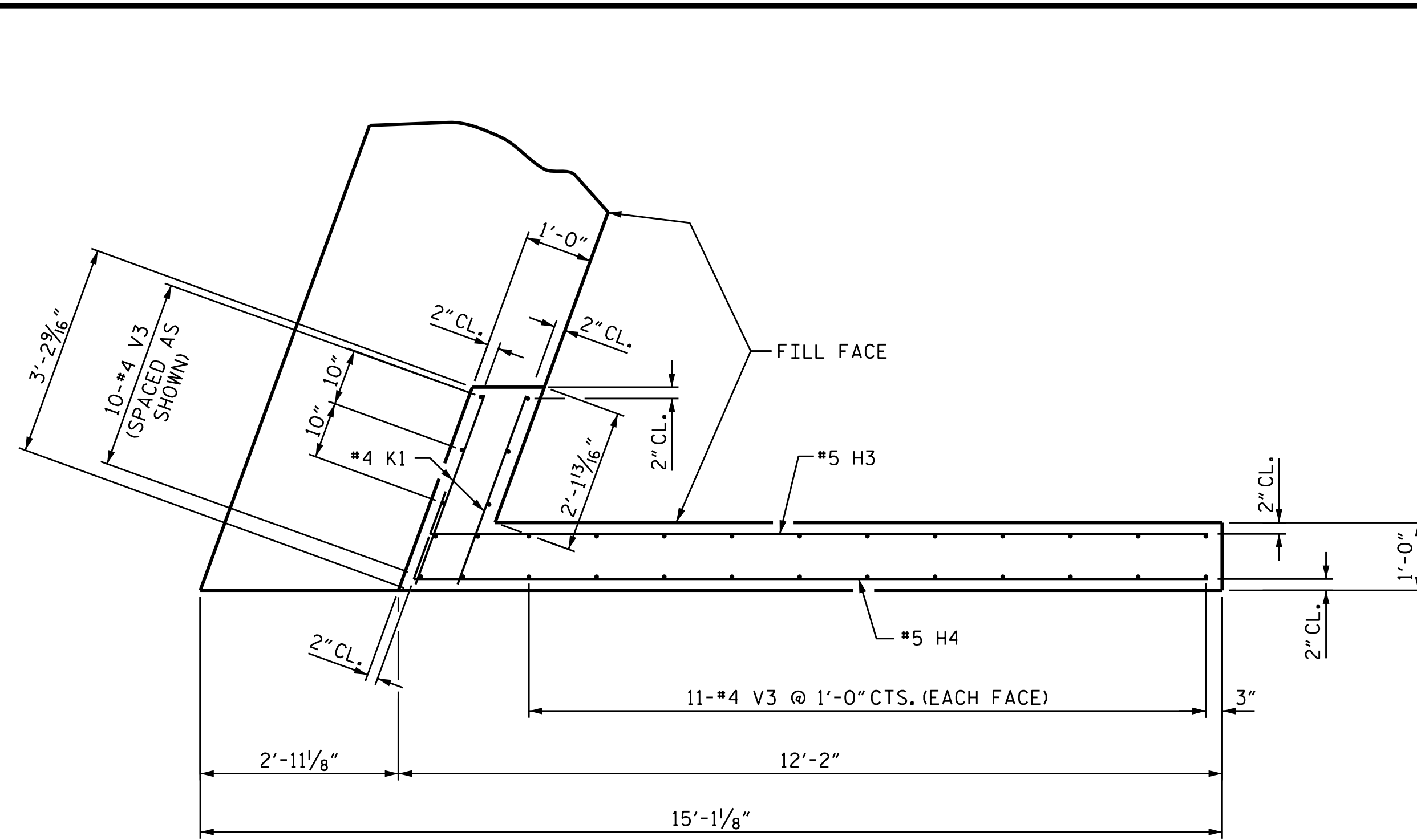


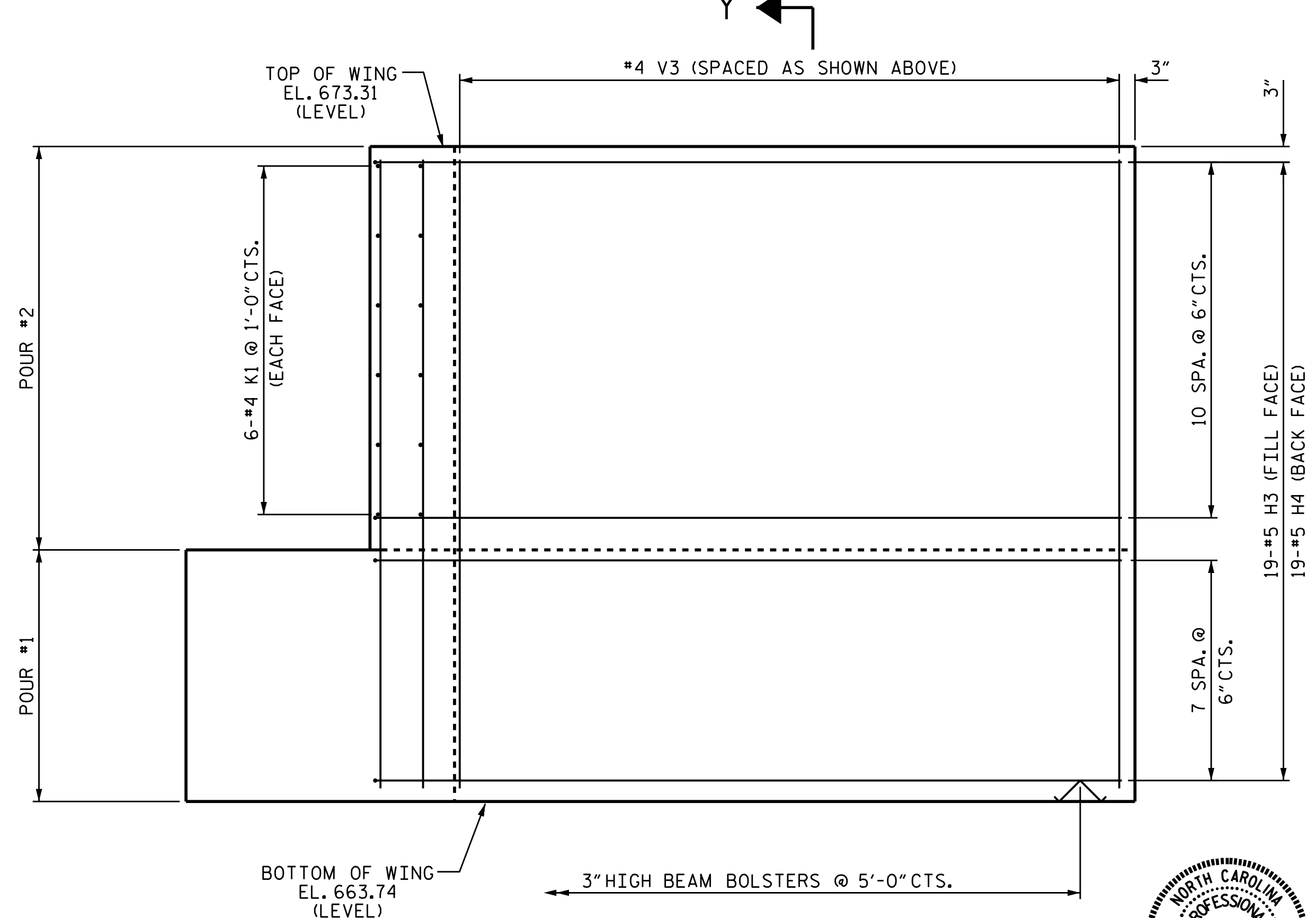
PLAN OF WING (W2)



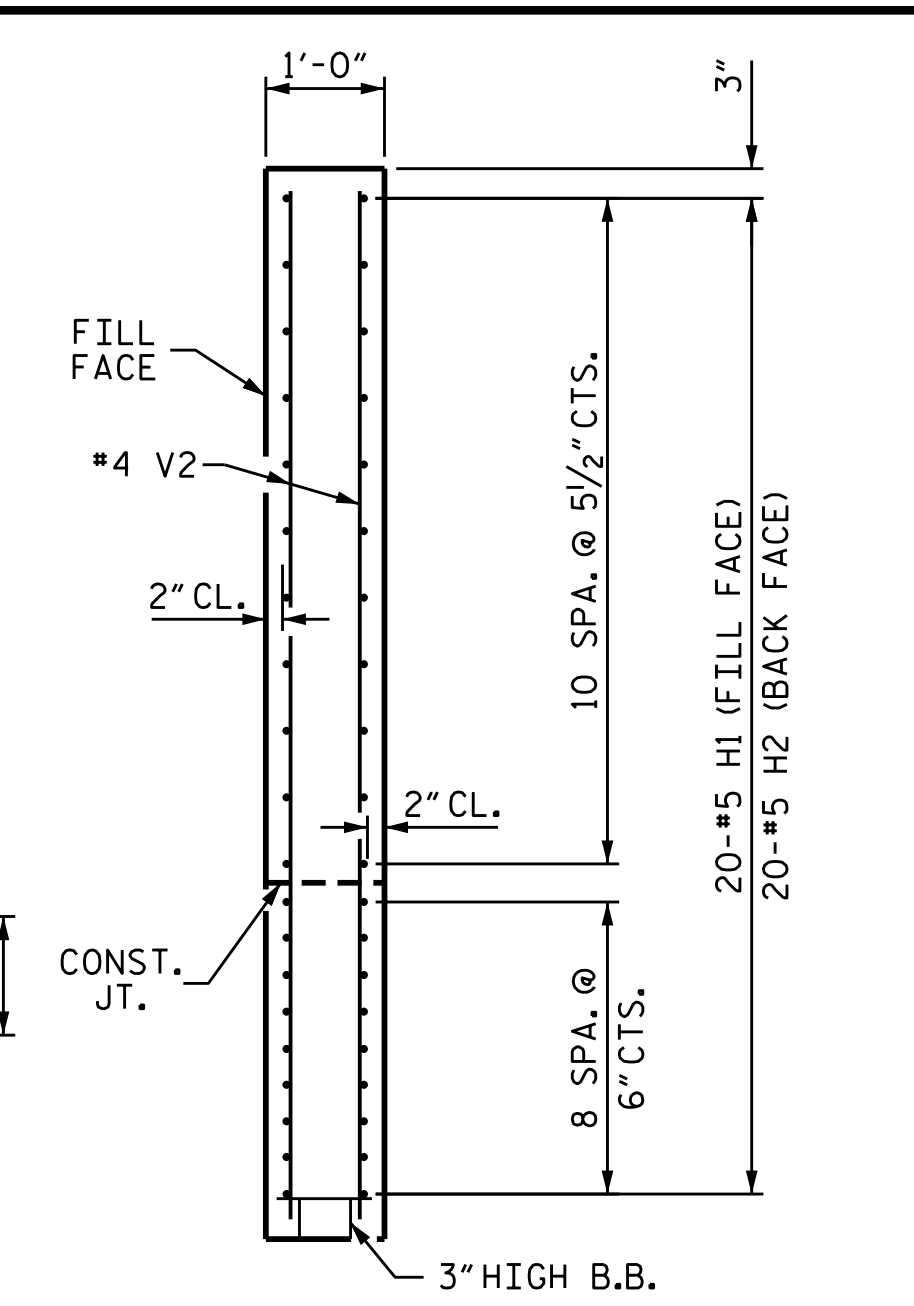
ELEVATION OF WING (W2)



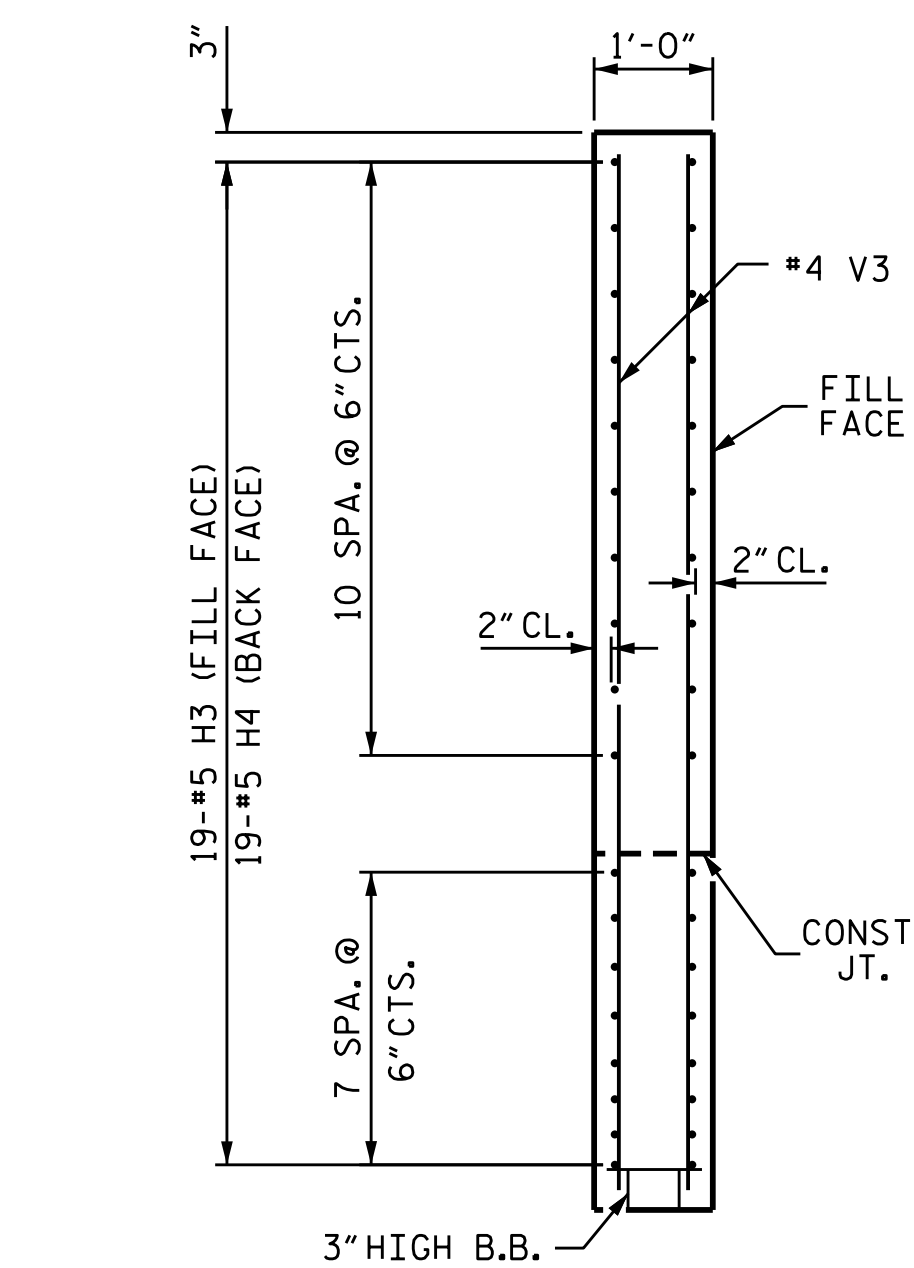
PLAN OF WING (W1)



ELEVATION OF WING (W1)



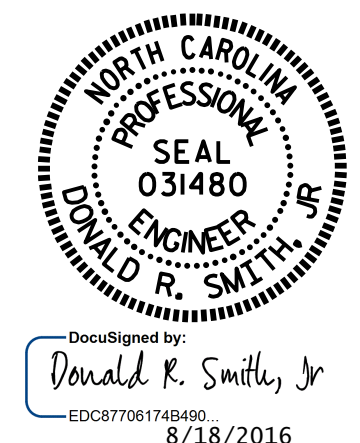
SECTION X-X



SECTION Y-Y

PROJECT NO. U-3440
CABARRUS COUNTY
 STATION: 68+25.60 -L-

SHEET 2 OF 3



STATE OF NORTH CAROLINA
 DEPARTMENT OF TRANSPORTATION
 RALEIGH
 SUBSTRUCTURE
 END BENT 2
 (RIGHT LANE)

DRAWN BY: J.D. HAWK DATE: 4/2016
 CHECKED BY: K.D. LAYNE DATE: 4/2016
 DESIGN ENGINEER OF RECORD: I.R. PETERSON DATE: 6/2016

DOCUMENT NOT CONSIDERED
 FINAL UNLESS ALL
 SIGNATURES COMPLETED

REVISIONS						SHEET NO.
NO.	BY:	DATE:	NO.	BY:	DATE:	TOTAL SHEETS
1			3			S2-33
2			4			37