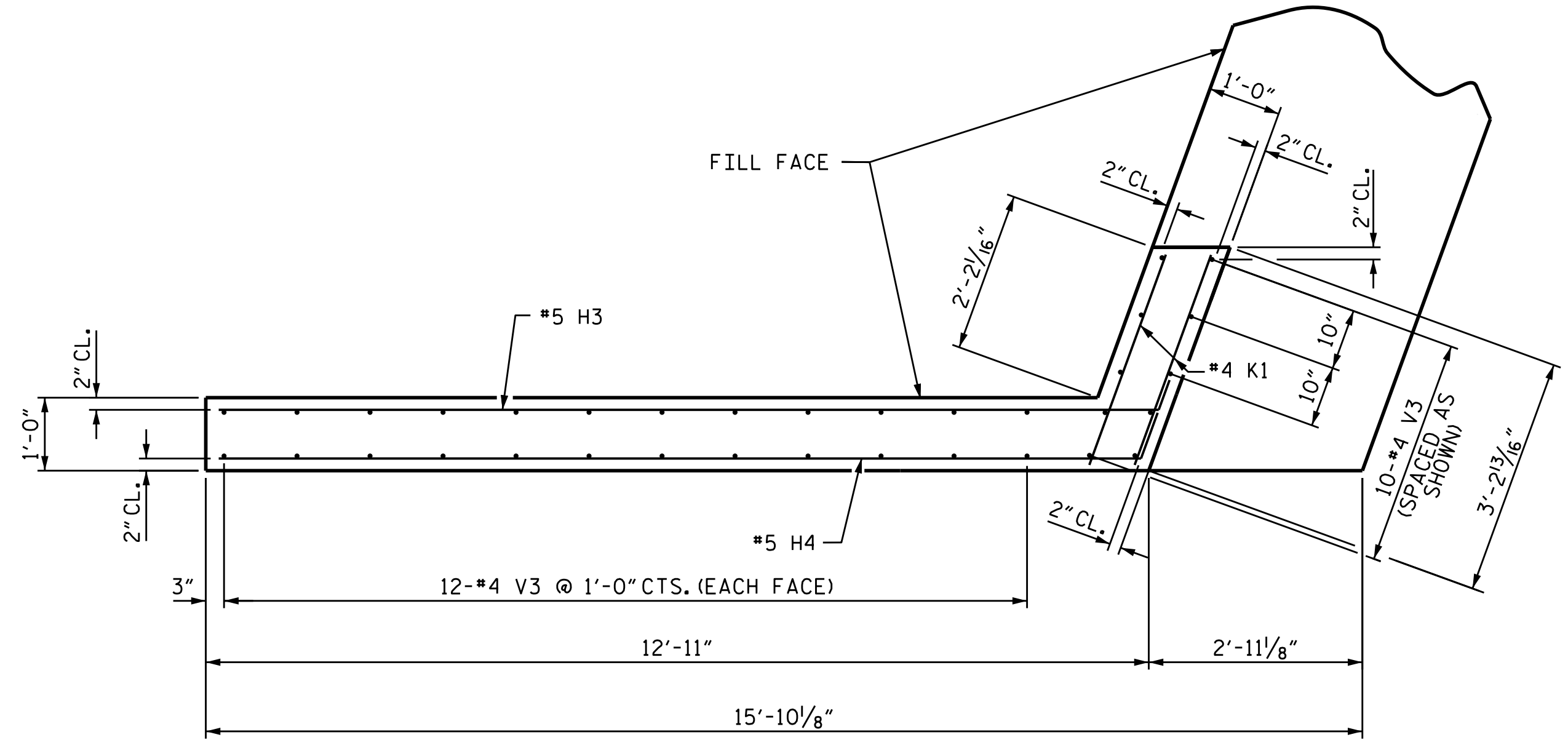
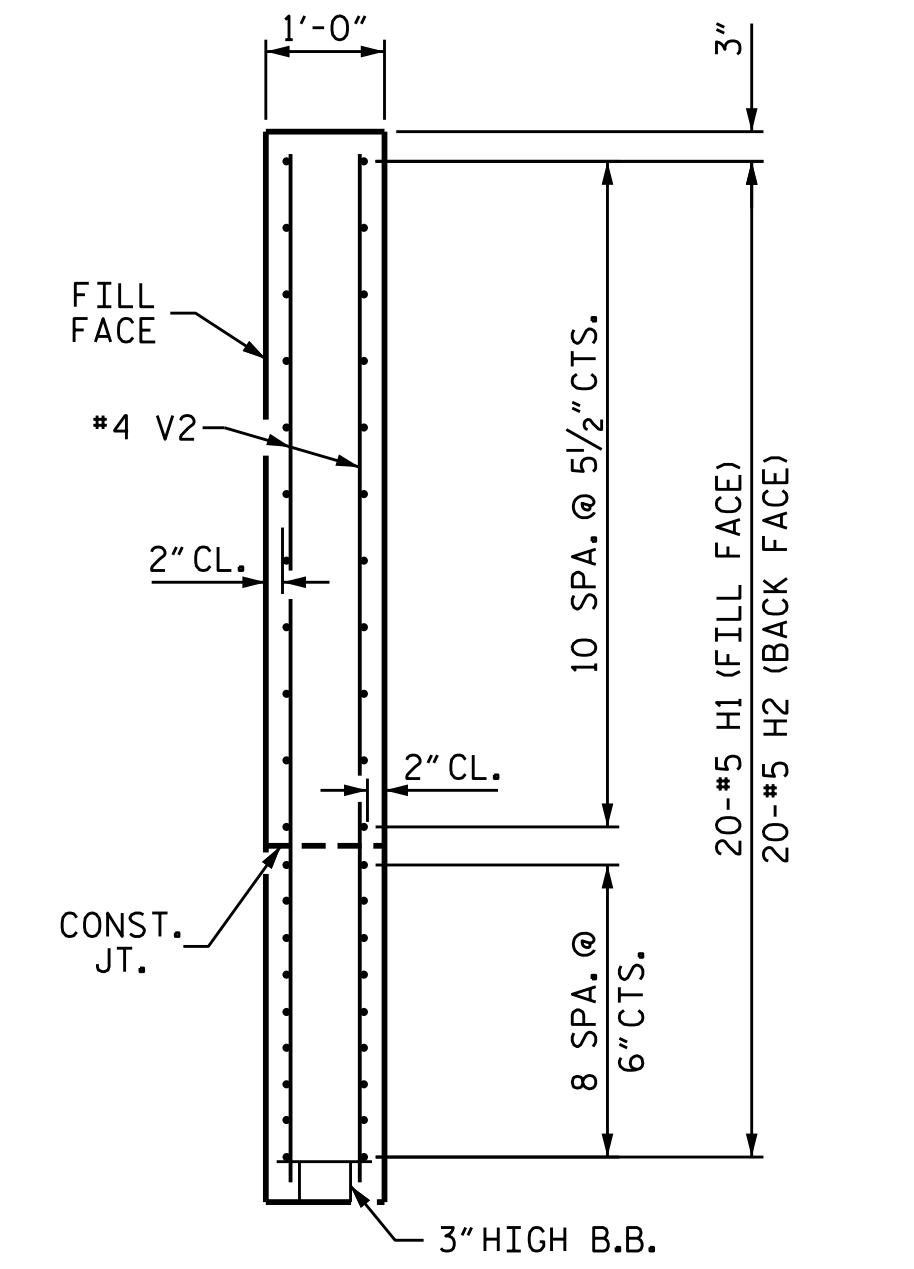


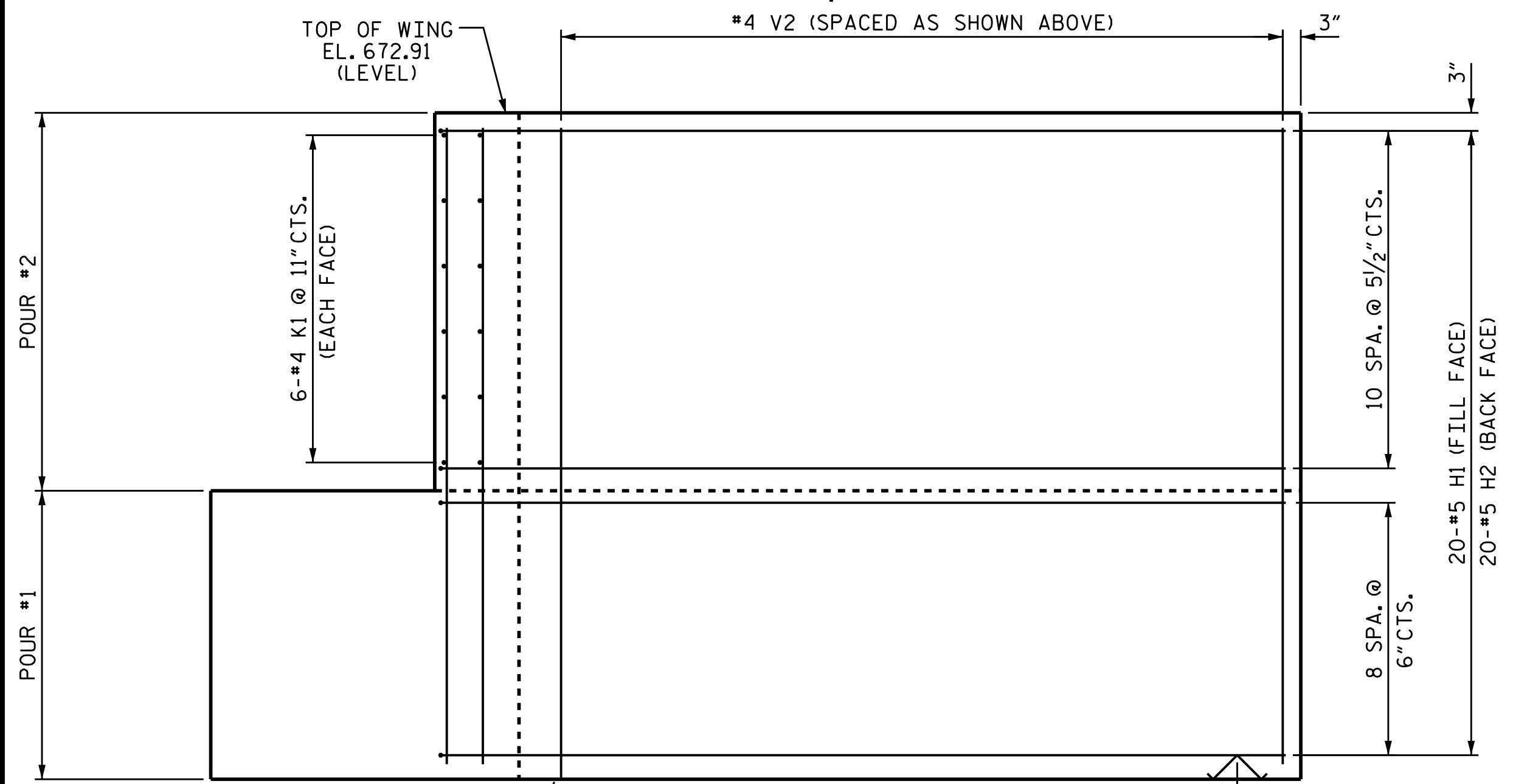
PLAN OF WING (W1)



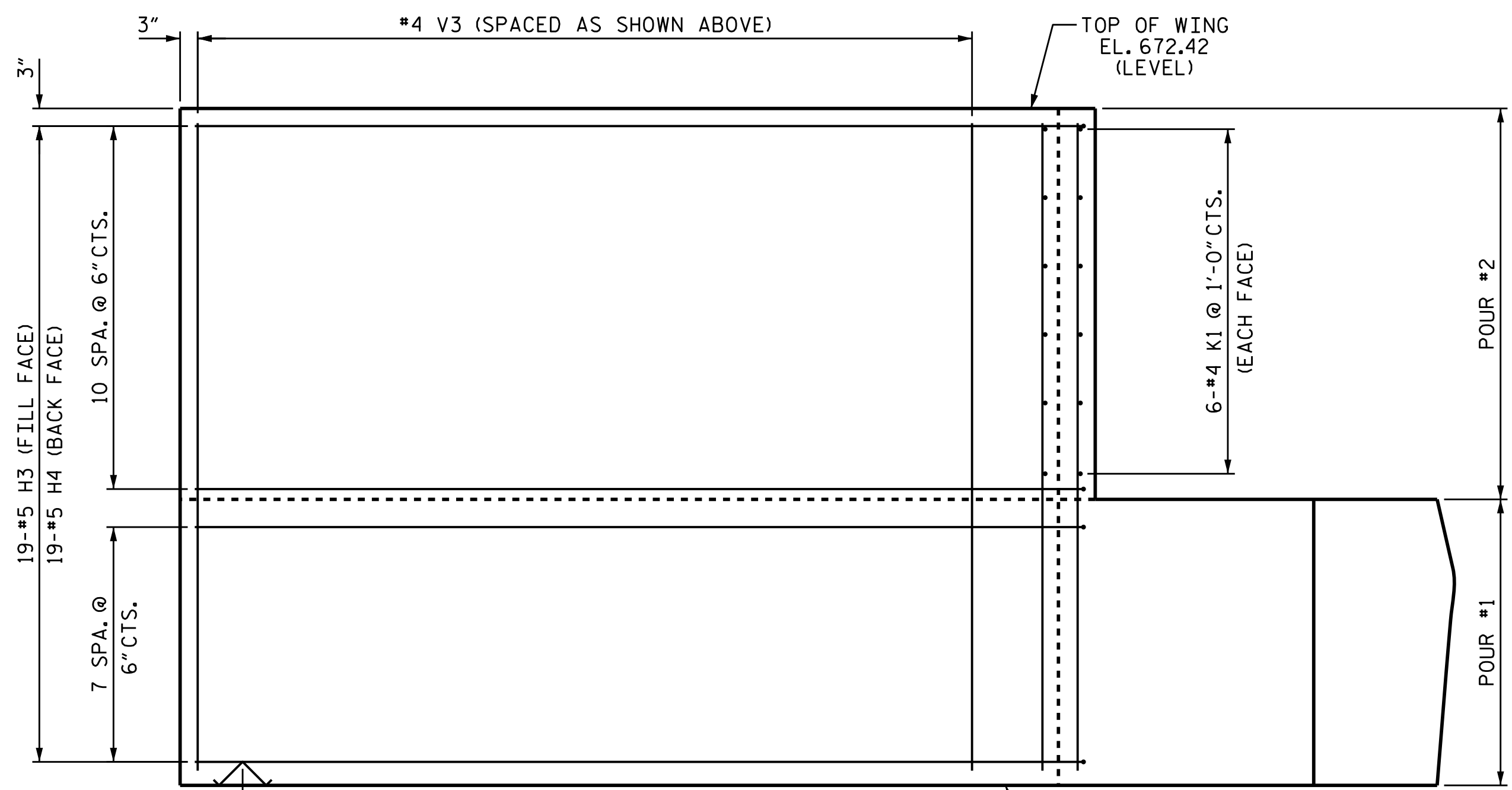
PLAN OF WING (W2)



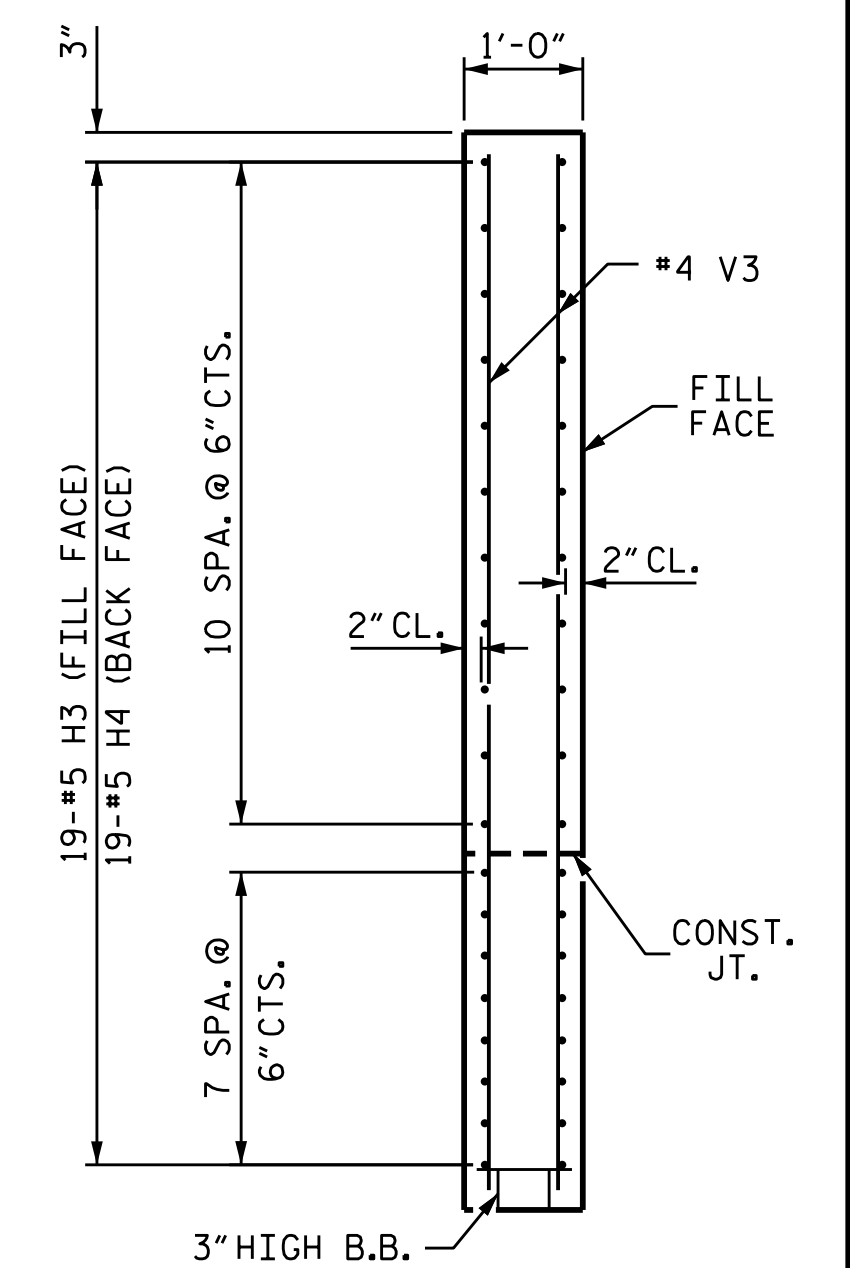
SECTION X-X



ELEVATION OF WING (W1)



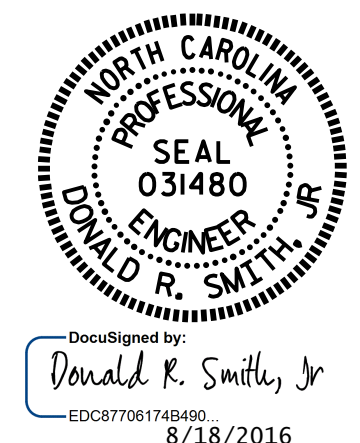
ELEVATION OF WING (W2)



SECTION Y-Y

PROJECT NO. U-3440
CABARRUS COUNTY
 STATION: 68+25.60 -L-

SHEET 2 OF 3



STATE OF NORTH CAROLINA
 DEPARTMENT OF TRANSPORTATION
 RALEIGH
 SUBSTRUCTURE
 END BENT 1
 (RIGHT LANE)

DRAWN BY: J.D. HAWK DATE: 4/2016
 CHECKED BY: K.D. LAYNE DATE: 4/2016
 DESIGN ENGINEER OF RECORD: T.R. PETERSON DATE: 6/2016

DOCUMENT NOT CONSIDERED
 FINAL UNLESS ALL
 SIGNATURES COMPLETED

REVISIONS						SHEET NO.
NO.	BY:	DATE:	NO.	BY:	DATE:	SI-26
1			3			TOTAL SHEETS
2			4			37