

PLAN OF SIDEWALK

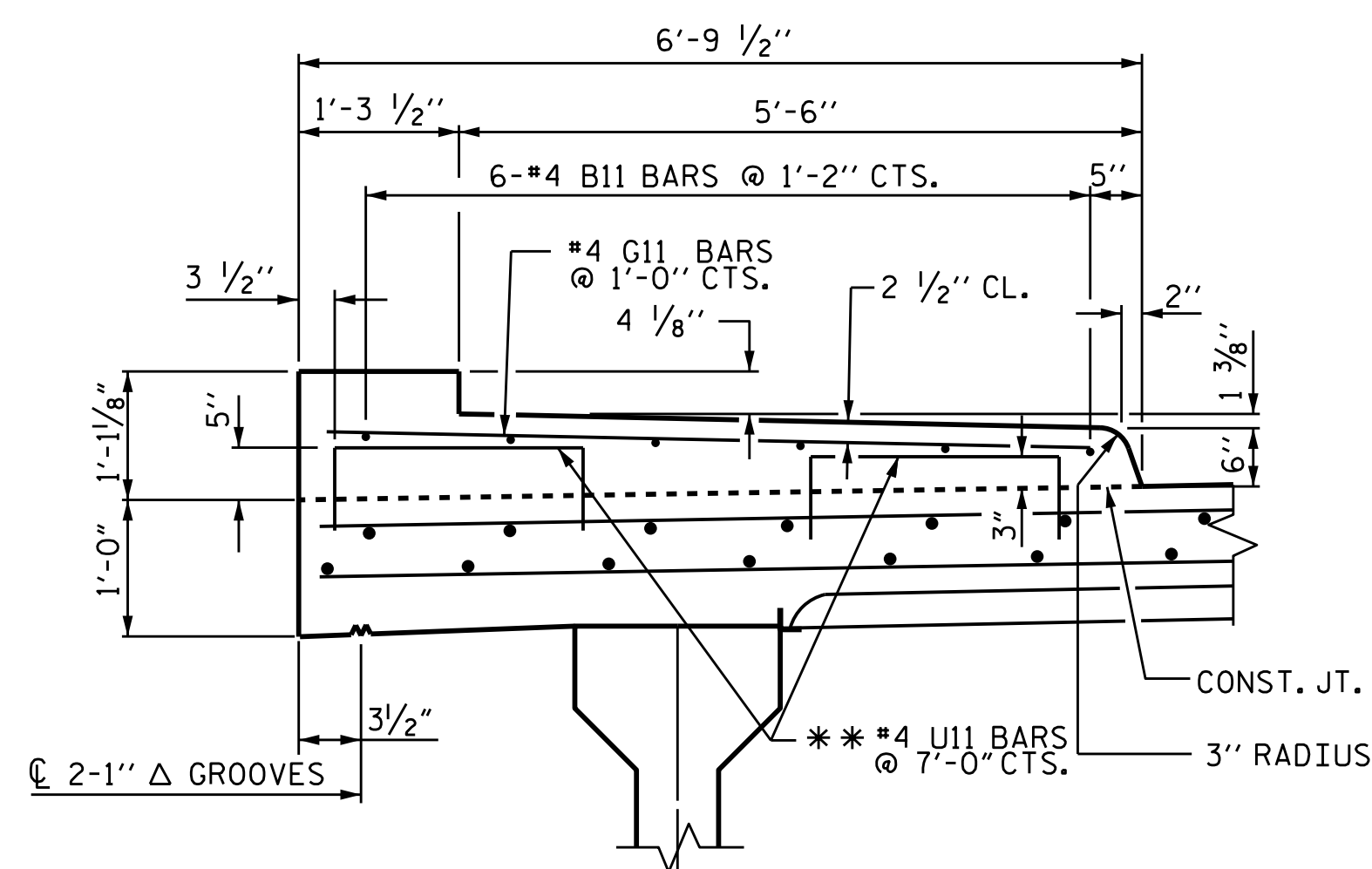
NOTES

THE SIDEWALK IN A CONTINUOUS UNIT SHALL NOT BE CAST UNTIL ALL SLAB CONCRETE IN THAT UNIT HAS BEEN CAST AND HAS REACHED A MINIMUM COMPRESSIVE STRENGTH OF 3,000 PSI.

GROOVED CONTRACTION JOINTS, 1/2" IN DEPTH, SHALL BE TOOLED IN ALL EXPOSED FACES OF THE SIDEWALK AND MEDIAN ISLAND IN ACCORDANCE WITH ARTICLE 825-10(B) OF THE STANDARD SPECIFICATIONS. THE CONTRACTION JOINTS SHALL BE LOCATED AT A SPACING OF 8 FEET TO 10 FEET BETWEEN EXPANSION JOINTS. NO CONTRACTION JOINTS WILL BE REQUIRED FOR SEGMENTS LESS THAN 10 FEET IN LENGTH.

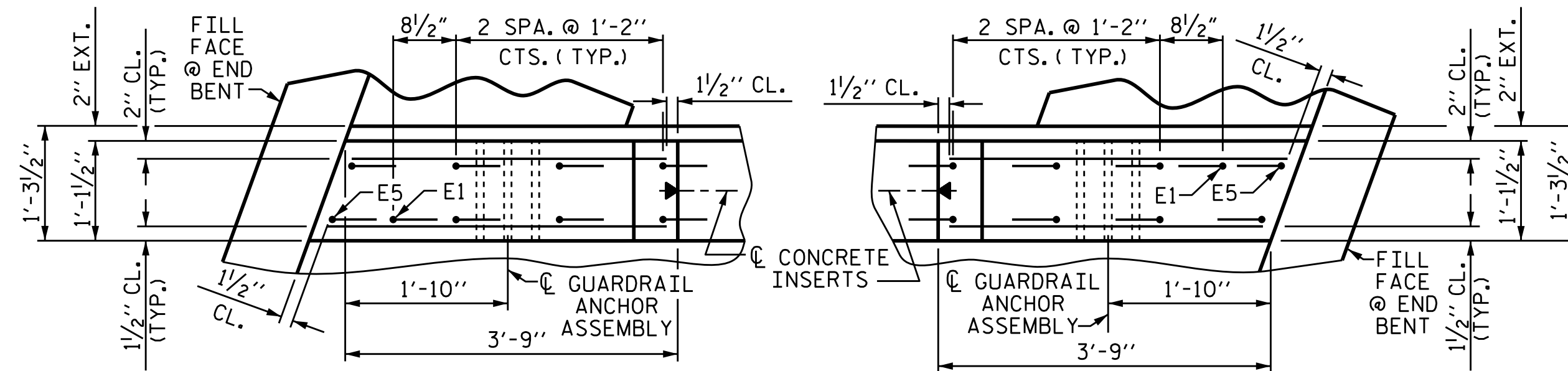
PAYMENT FOR SIDEWALK AND END POSTS SHALL BE INCLUDED IN UNIT PRICE FOR "REINFORCED CONCRETE DECK SLAB".

ALL REINFORCING STEEL IN SIDEWALK SHALL BE EPOXY COATED.

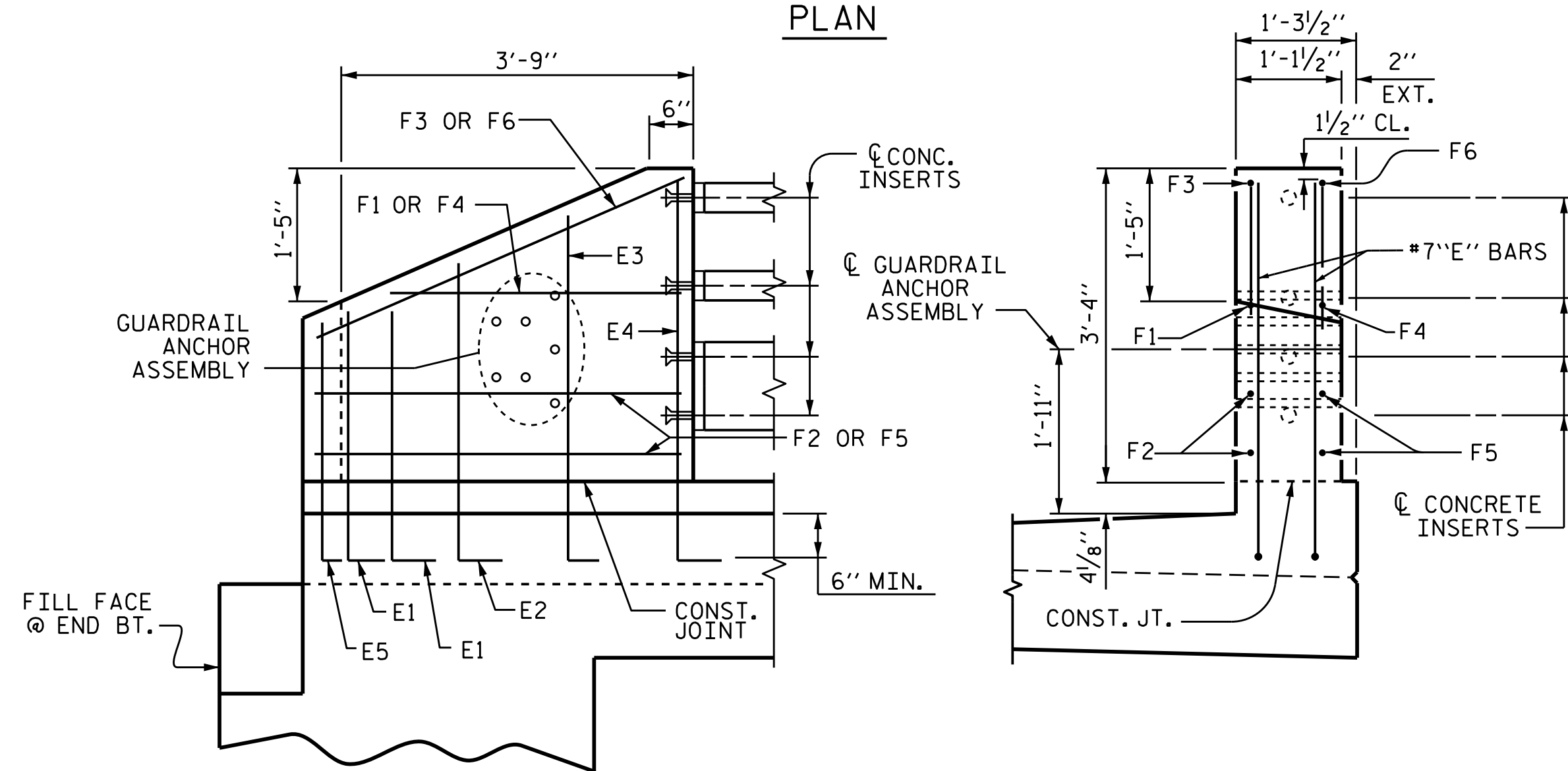


SECTION THRU SIDEWALK

** #4 U11 BARS MAY BE PUSHED INTO GREEN CONCRETE AFTER SPAN HAS BEEN SCREEDED OFF.



PLAN

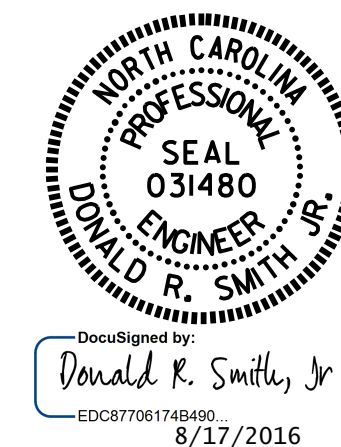


ELEVATION

END VIEW

END POST DETAILS

PROJECT NO. U-3440
 CABARRUS COUNTY
 STATION: 68+25.60 -L-



STATE OF NORTH CAROLINA
 DEPARTMENT OF TRANSPORTATION
 RALEIGH
 SUPERSTRUCTURE
 SIDEWALK
 DETAILS
 (LEFT LANE)

REVISIONS						SHEET NO.	
NO.	BY:	DATE:	NO.	BY:	DATE:	S1-11	
1			3			TOTAL SHEETS	
2			4			37	

DRAWN BY: KEITH D. LAYNE DATE: 12/04/15
 CHECKED BY: J. D. HAWK DATE: 12/18/15

DOCUMENT NOT CONSIDERED FINAL UNLESS ALL SIGNATURES COMPLETED