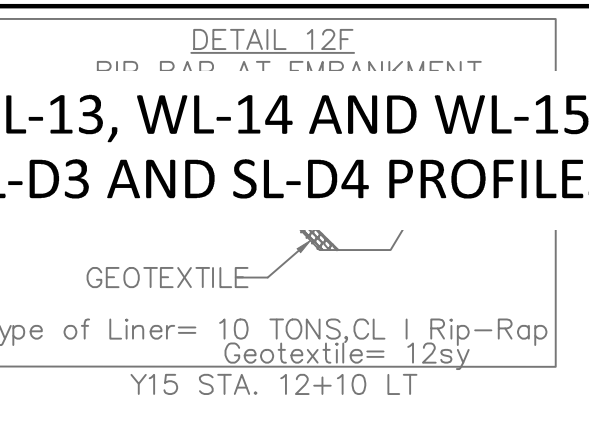
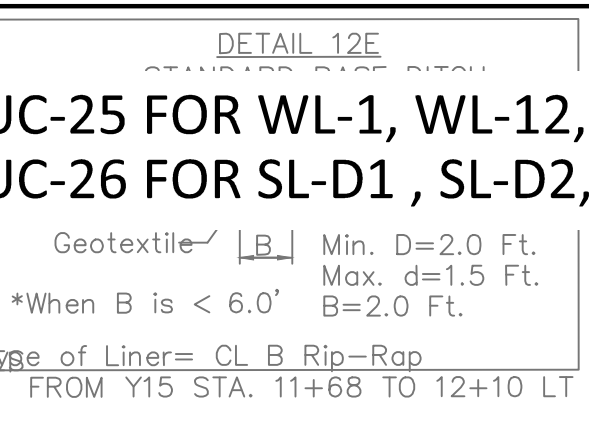
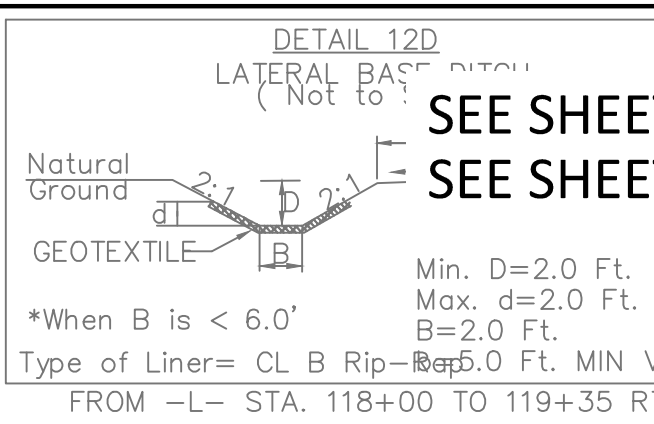
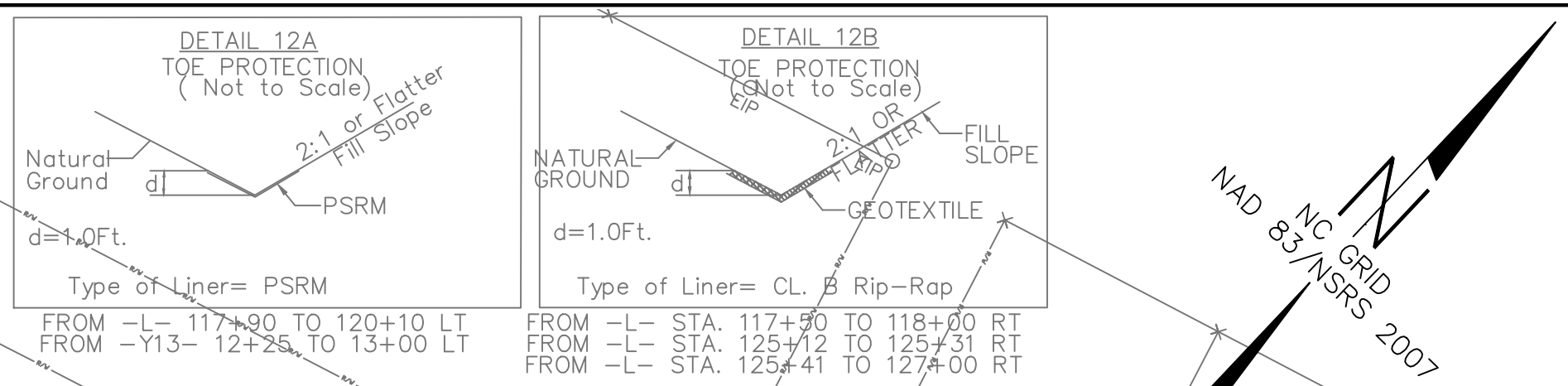
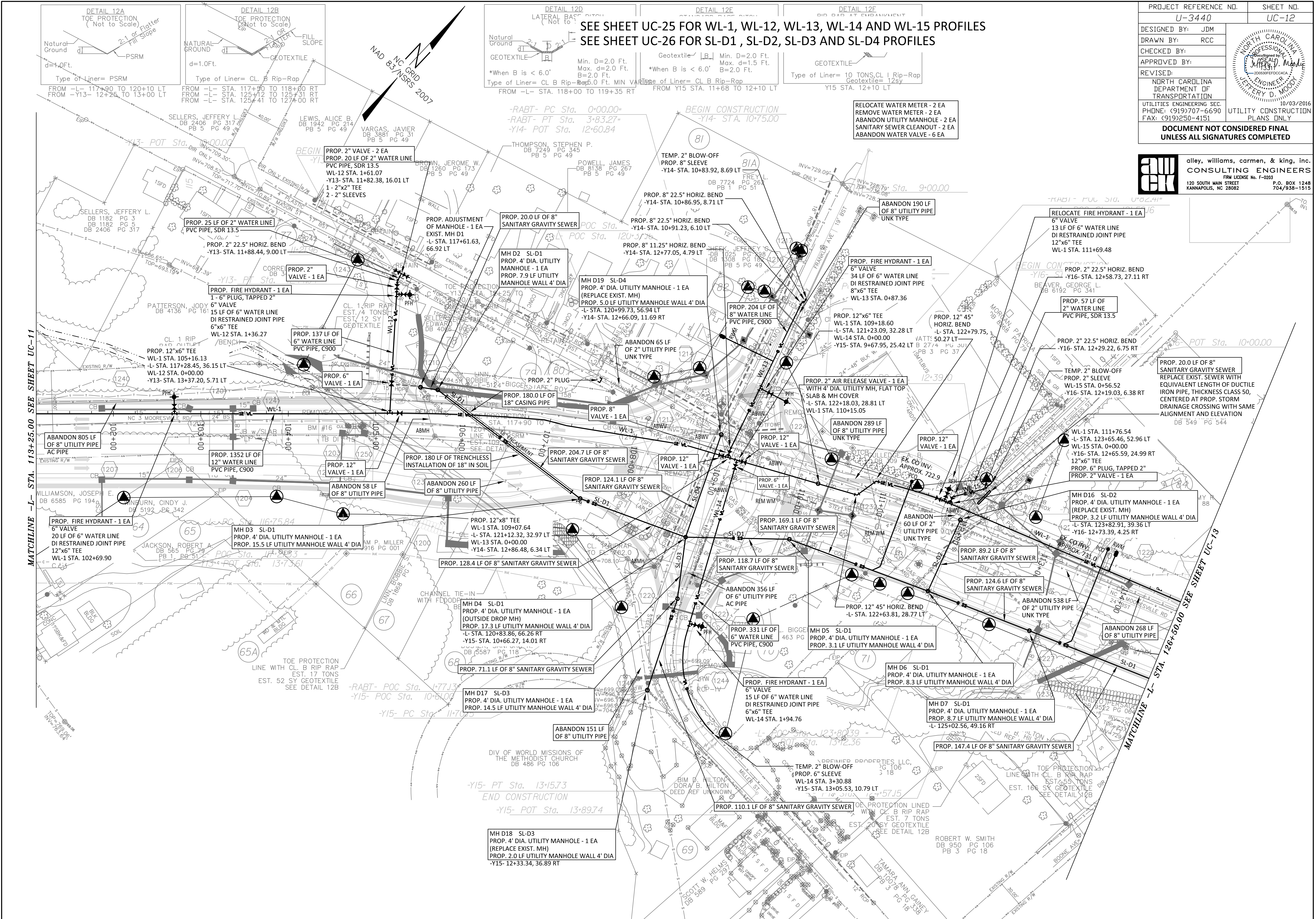


PROJECT REFERENCE NO.	U-3440	SHEET NO.	UC-12
DESIGNED BY:	JDM		
DRAWN BY:	RCC		
CHECKED BY:			
APPROVED BY:			
REVISED:		NORTH CAROLINA DEPARTMENT OF TRANSPORTATION UTILITIES ENGINEERING SEC. PHONE: (919)707-6690 FAX: (919)250-4151 UTILITY CONSTRUCTION PLANS ONLY 10/03/2016	
DOCUMENT NOT CONSIDERED FINAL UNLESS ALL SIGNATURES COMPLETED			

aww alley, williams, carmen, & king, inc.
ck CONSULTING ENGINEERS
 FIRM LICENSE No. F-0203
 120 SOUTH MAIN STREET P.O. BOX 1248
 KANNAPOLIS, NC 28082 704/938-1519

SEE SHEET UC-25 FOR WL-1, WL-12, WL-13, WL-14 AND WL-15 PROFILES
 SEE SHEET UC-26 FOR SL-D1, SL-D2, SL-D3 AND SL-D4 PROFILES



MATCHLINE -L- STA. 113+25.00 SEE SHEET UC-11

MATCHLINE -L- STA. 126+50.00 SEE SHEET UC-13

-Y15- PT Sta. 13+57.3
 END CONSTRUCTION
 -Y15- POT Sta. 13+89.74

MH D18 SL-D3
 PROP. 4' DIA. UTILITY MANHOLE - 1 EA
 (REPLACE EXIST. MH)
 PROP. 2.0 LF UTILITY MANHOLE WALL 4' DIA
 -Y15- 12+33.34, 36.89 RT