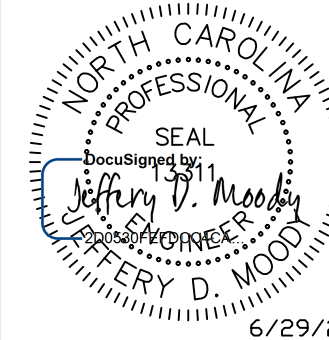

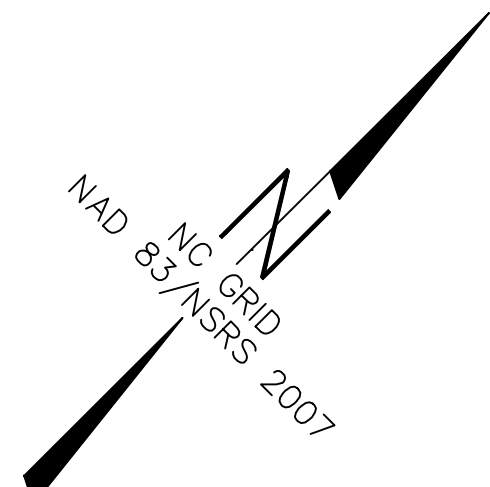
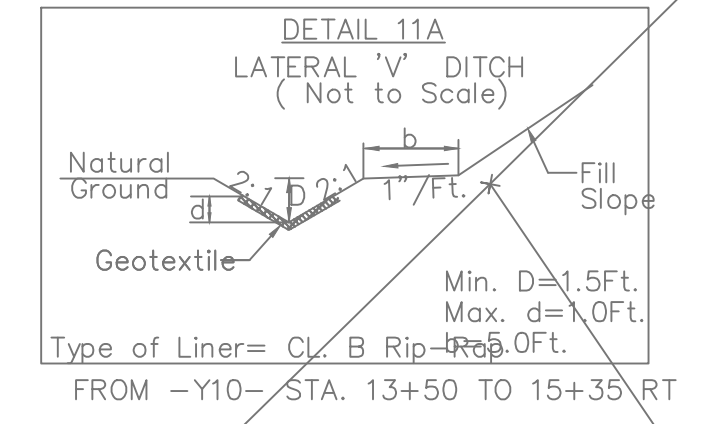
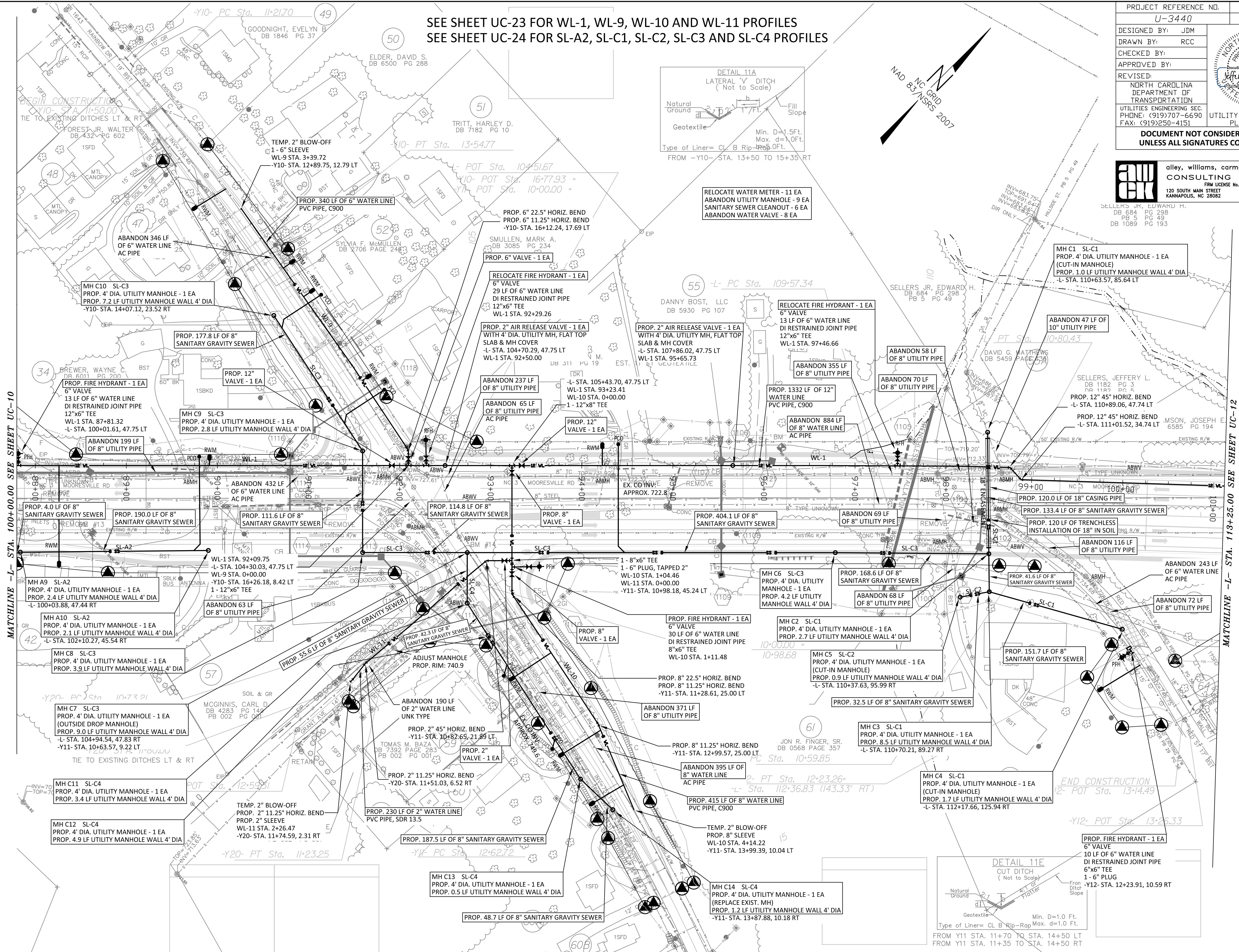


SEE SHEET UC-23 FOR WL-1, WL-9, WL-10 AND WL-11 PROFILES  
SEE SHEET UC-24 FOR SL-A2, SL-C1, SL-C2, SL-C3 AND SL-C4 PROFILES

|  |   |
|--|---|
| PROJECT REFERENCE NO.  | SHEET NO.   |
| U-3440   | UC-11   |
| DESIGNED BY: JDM   |  |
| DRAWN BY: RCC  |   |
| CHECKED BY:  |   |
| APPROVED BY:   |   |
| REVISED:   |   |
| NORTH CAROLINA DEPARTMENT OF TRANSPORTATION                        | 6/29/2016   |
| UTILITIES ENGINEERING SEC. PHONE: (919)707-6690 FAX: (919)250-4151 | UTILITY CONSTRUCTION PLANS ONLY   |
| DOCUMENT NOT CONSIDERED FINAL UNLESS ALL SIGNATURES COMPLETED      |   |

 **alley, williams, carmen, & king, inc.**  
CONSULTING ENGINEERS  
FIRM LICENSE No. F-0203  
120 SOUTH MAIN STREET, KANNAPOLIS, NC 28082  
P.O. BOX 1248  
704/958-1515



RELOCATE WATER METER - 11 EA  
ABANDON UTILITY MANHOLE - 9 EA  
SANITARY SEWER CLEANOUT - 6 EA  
ABANDON WATER VALVE - 8 EA

MH C1 SL-C1  
PROP. 4' DIA. UTILITY MANHOLE - 1 EA  
(CUT-IN MANHOLE)  
PROP. 1.0 LF UTILITY MANHOLE WALL 4' DIA  
-L STA. 110+63.57, 85.64 LT

ABANDON 47 LF OF  
10" UTILITY PIPE

SELLERS, JEFFERY L.  
DB 1182 PG 3  
PROP. 12" 45° HORIZ. BEND  
-L STA. 110+89.06, 47.74 LT

PROP. 12" 45° HORIZ. BEND  
-L STA. 111+01.52, 34.74 LT

PROP. 120.0 LF OF 18" CASING PIPE

PROP. 133.4 LF OF 8" SANITARY GRAVITY SEWER

PROP. 120 LF OF TRENCHLESS  
INSTALLATION OF 18" IN SOIL

ABANDON 116 LF  
OF 8" UTILITY PIPE

ABANDON 243 LF  
OF 6" WATER LINE  
AC PIPE

ABANDON 72 LF  
OF 8" UTILITY PIPE

PROP. 151.7 LF OF 8"  
SANITARY GRAVITY SEWER

MH C3 SL-C1  
PROP. 4' DIA. UTILITY MANHOLE - 1 EA  
PROP. 8.5 LF UTILITY MANHOLE WALL 4' DIA  
-L STA. 110+70.21, 89.27 RT

MH C4 SL-C1  
PROP. 4' DIA. UTILITY MANHOLE - 1 EA  
(CUT-IN MANHOLE)  
PROP. 1.7 LF UTILITY MANHOLE WALL 4' DIA  
-L STA. 112+17.66, 125.94 RT

PROP. FIRE HYDRANT - 1 EA  
6" VALVE  
10 LF OF 6" WATER LINE  
DI RESTRAINED JOINT PIPE  
6"x6" TEE  
1-6" PLUG  
-Y12- STA. 12+23.91, 10.59 RT

