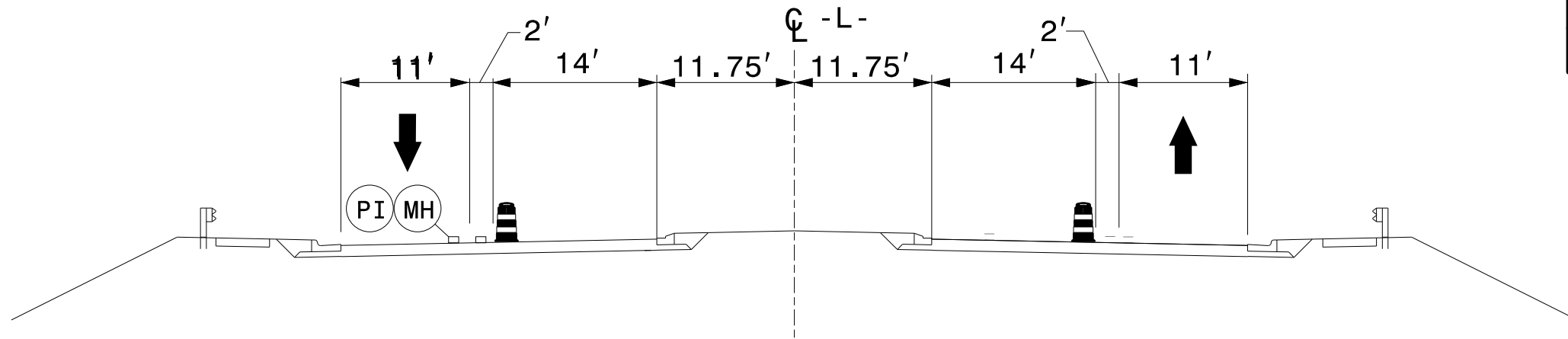
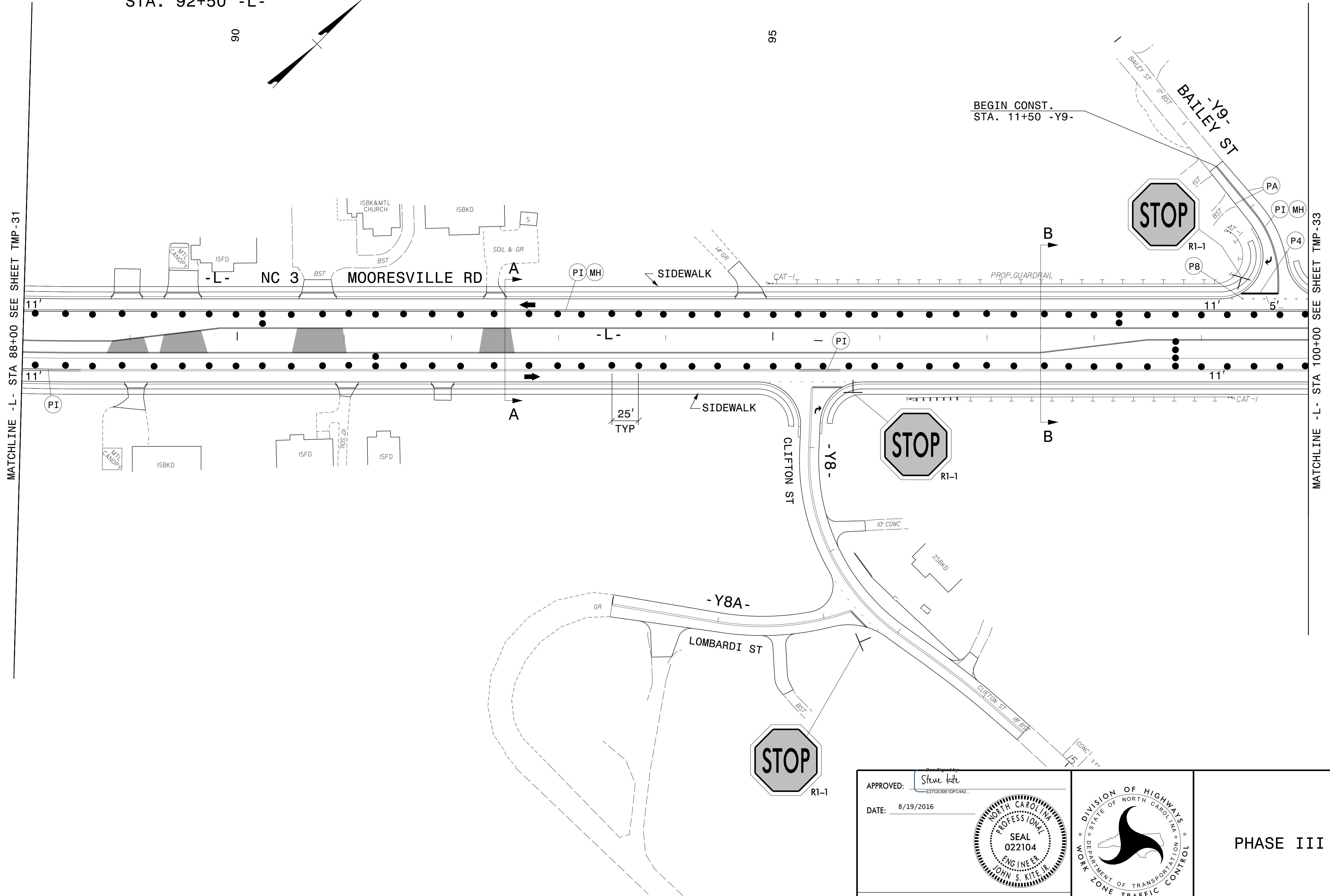


SECTION A-A  
STA. 92+50 -L-



SECTION B-B  
STA. 97+50 -L-



MATCHLINE -L- STA 88+00 SEE SHEET TMP-31

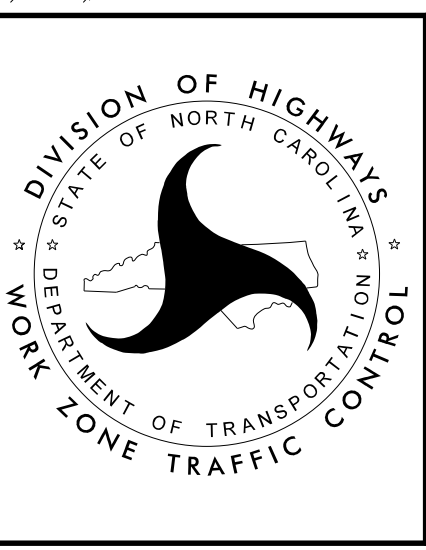
MATCHLINE -L- STA 100+00 SEE SHEET TMP-33

8/17/2016  
P:\TIP\Projects-U\3440\Traffic\TrafficControl\TCP\tmp-10-phase3.dgn  
User:rmgarratt

APPROVED: *Stew Kite*  
DATE: 8/19/2016

PROFESSIONAL SEAL  
022104  
ENGINEER  
JOHN S. KITE, INC.

**DOCUMENT NOT CONSIDERED FINAL  
UNLESS ALL SIGNATURES COMPLETED**



PHASE III DETAILS