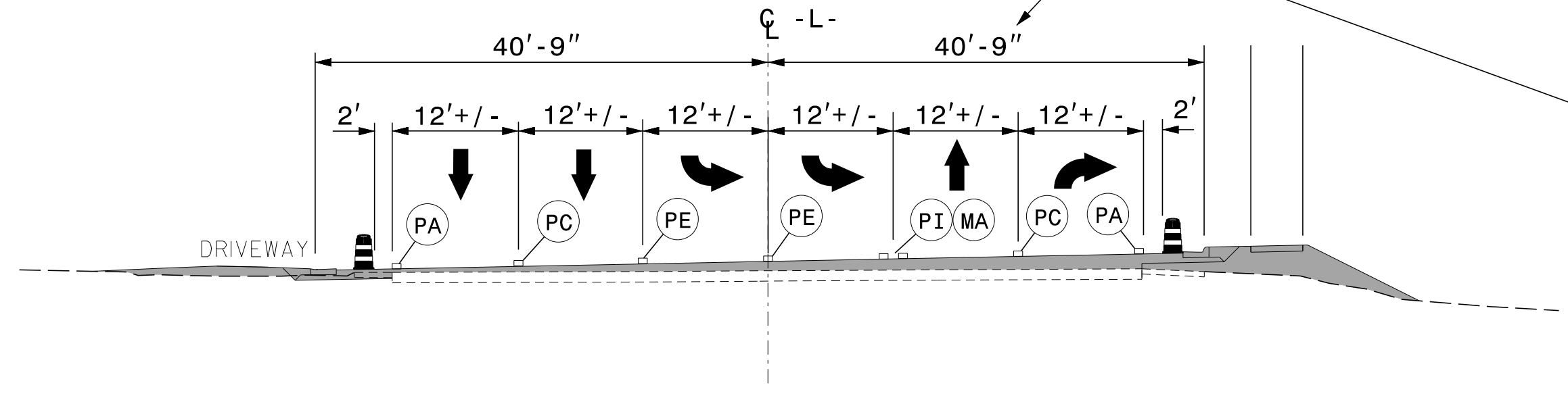
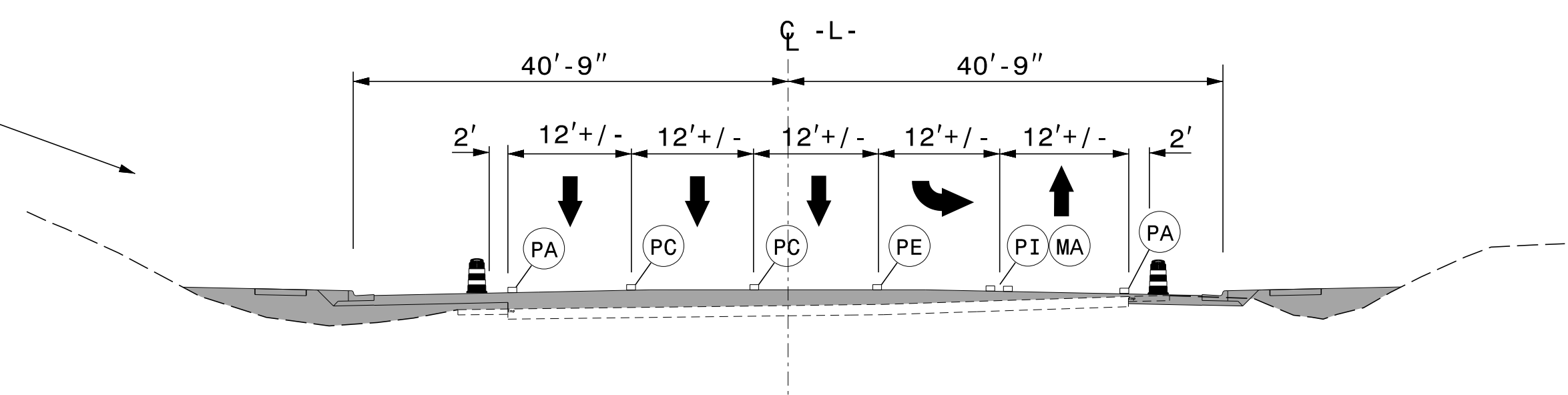


**NOTES**

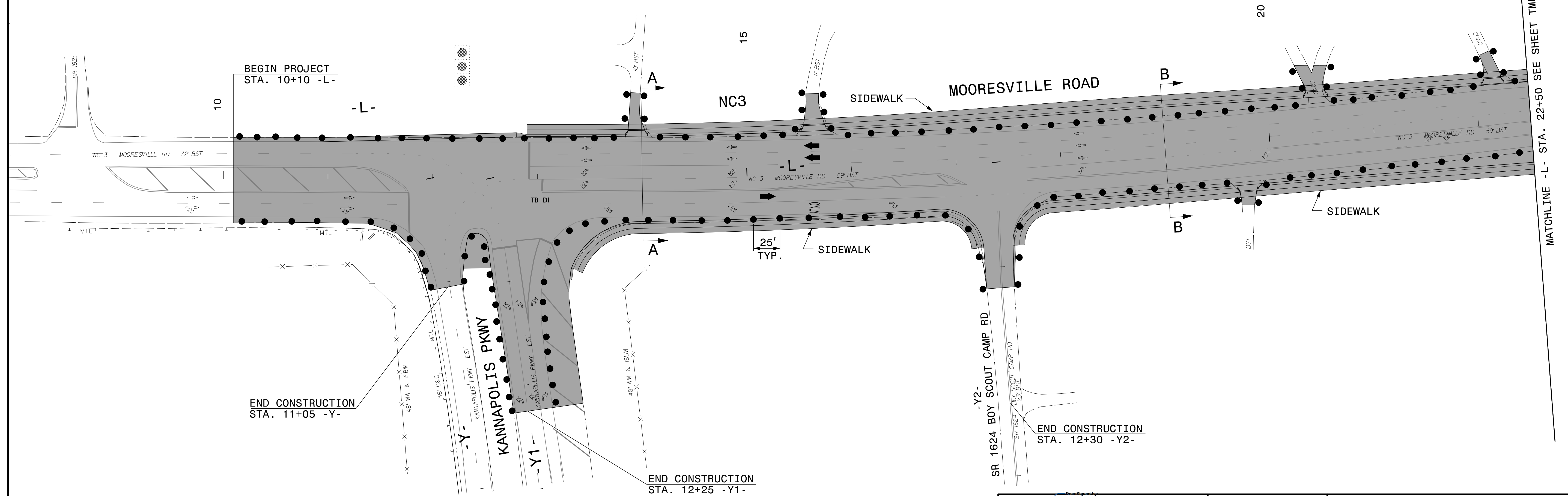
- FROM STA. 10+10.11 -L- TO STA. 25+00 -L- MATCH EXISTING PAVEMENT MARKINGS GEOMETRY (PAINT AS SHOWN BELOW) AT WEDGING LIFTS AS DIRECTED BY THE ENGINEER. AFTER INSTALLATION OF THE FIRST LAYER OF SURFACE COURSE INSTALL TEMPORARY PAVEMENT MARKINGS (PAINT) AND TEMPORARY RAISED PAVEMENT MARKERS AS SHOWN ON SHEET TMP-15.



**SECTION A-A**  
STA. 14+00



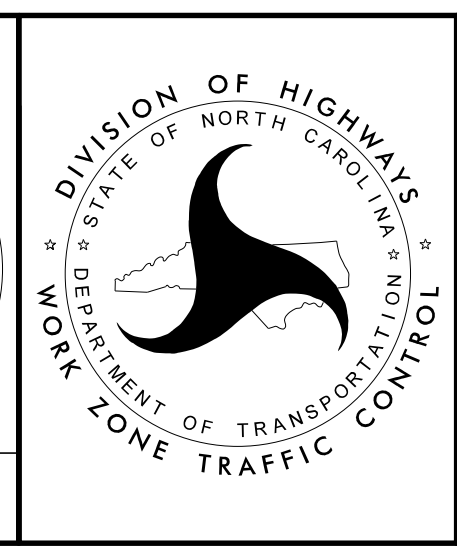
**SECTION B-B**  
STA. 19+00



8/17/2016 P:\TIP\Projects-U\3440\TrafficControl\TCP\tmp-4-phase1.dgn User:rmgarratt

APPROVED: *Steve Kite*  
DATE: 8/19/2016

**DOCUMENT NOT CONSIDERED FINAL  
UNLESS ALL SIGNATURES COMPLETED**



**PHASE I DETAILS**

MATCHLINE -L- STA. 22+50 SEE SHEET TMP-5