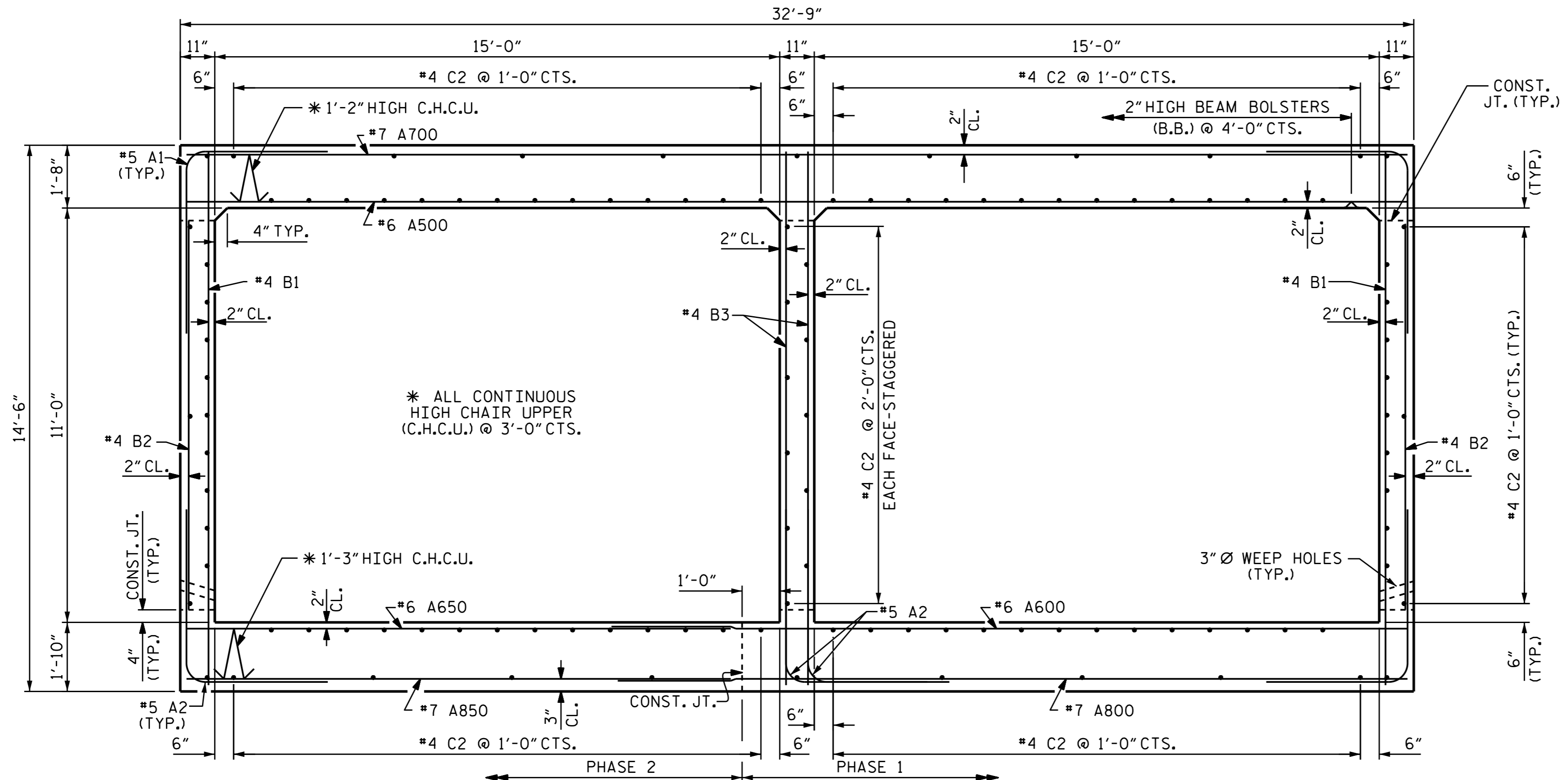
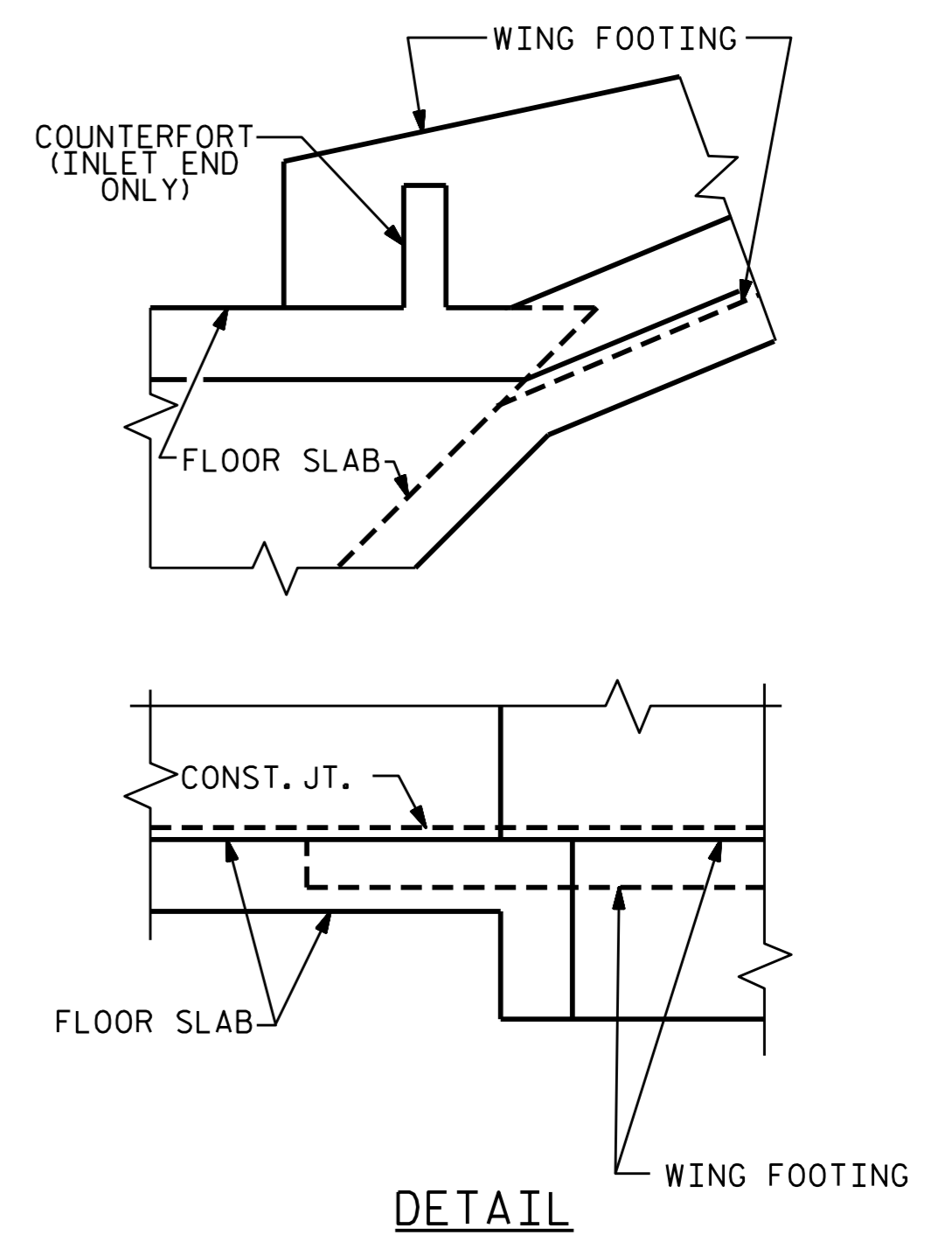


**STAGE I
RIGHT ANGLE SECTION OF BARREL**
(THERE ARE 113 "C" IN SECTION OF BARREL.)
(LOOKING DOWNSTREAM)



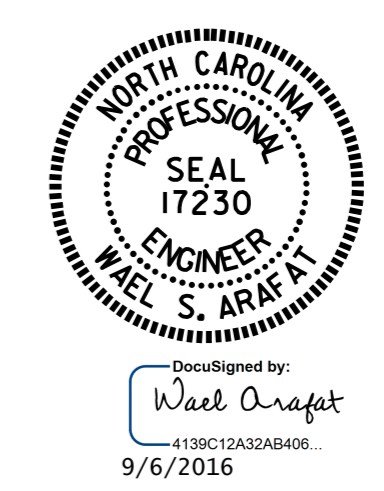
**STAGE II - PHASE 1 & 2
RIGHT ANGLE SECTION OF BARREL**
(THERE ARE 113 "C" IN SECTION OF BARREL.)
(LOOKING DOWNSTREAM)

I HEREBY CERTIFY THESE PLANS ARE THE AS-BUILT PLANS



**CONNECTION OF WING FOOTING
AND FLOOR SLAB WHEN SLAB
IS THICKER THAN FOOTING**

PROJECT NO. R-2915C
ASHE COUNTY
STATION: 374+56.00 -L-
SHEET 3 OF 12



STATE OF NORTH CAROLINA		DEPARTMENT OF TRANSPORTATION		RALEIGH	
DOUBLE 15 FT. X 11 FT. RCBC 35°00'-00" SKEW					
REVISIONS					
NO.	BY:	DATE:	NO.	BY:	DATE:
1			3		
2			4		
SHEET NO. C-3					TOTAL SHEETS 12

DRAWN BY: H. T. BARBOUR DATE: 6-20-16
CHECKED BY: V. X. NGUYEN DATE: 7-16
DESIGN ENGINEER OF RECORD: A. M. LEE DATE: 7-16

DOCUMENT NOT CONSIDERED
FINAL UNLESS ALL
SIGNATURES COMPLETED