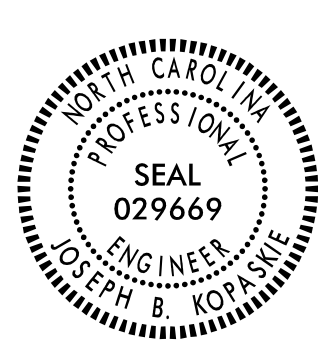
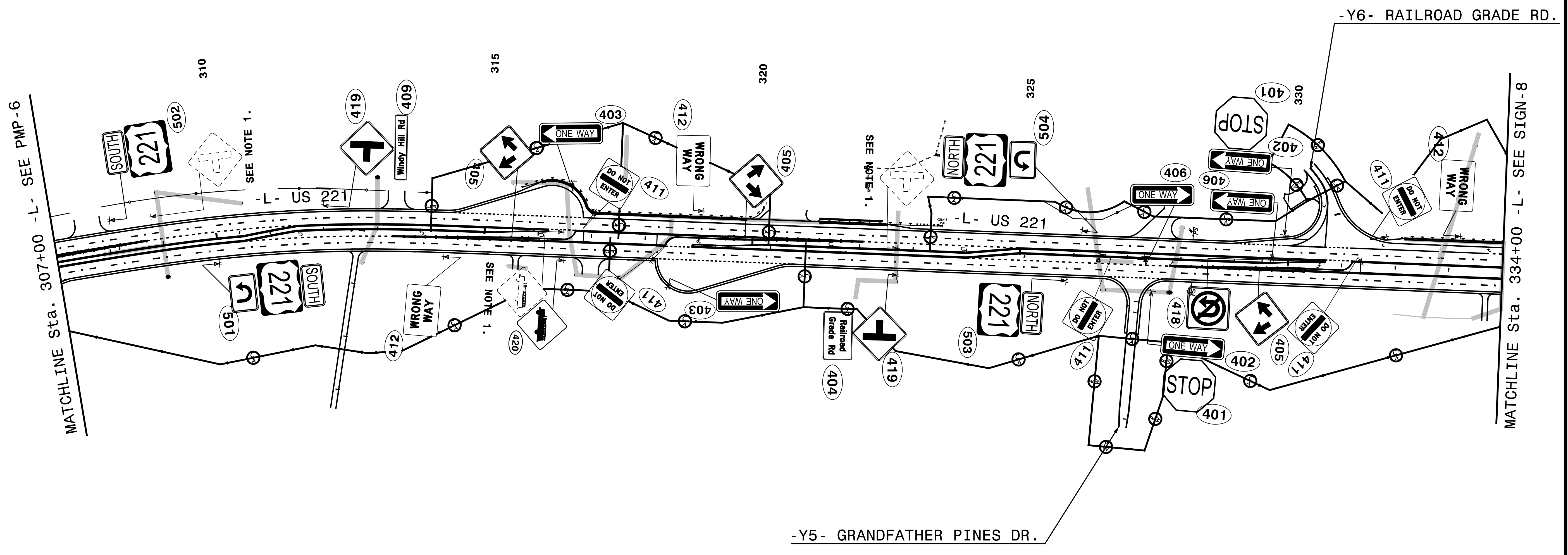
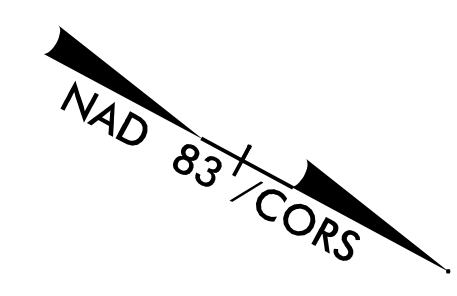


PROJECT REFERENCE NO. <b>R-2915C</b>	SHEET NO. <b>SIGN-7</b>
APPROVED: <i>Joseph Kopaske</i> <small>REGISTERED PROFESSIONAL ENGINEER</small>	
DATE: 6/21/2016	
SEAL	
	
<b>DOCUMENT NOT CONSIDERED FINAL UNLESS ALL SIGNATURES COMPLETED</b>	



REVISIONS

**NOTE**

- 1. DISPOSAL OF SIGN SYSTEM, U-CHANNEL

**SEPI**  
ENGINEERING & CONSTRUCTION

1025 Wade Avenue  
Raleigh, NC 27605  
Tel: 919-789-9977  
Fax: 919-789-9591  
License: C-2197

**EXISTING & PROPOSED  
SIGNING DETAIL**

SYSTEMS  
 DESIGN  
 CONSULTANTS  
 INC.