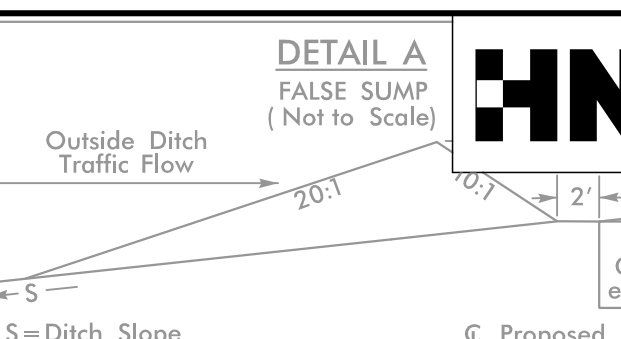
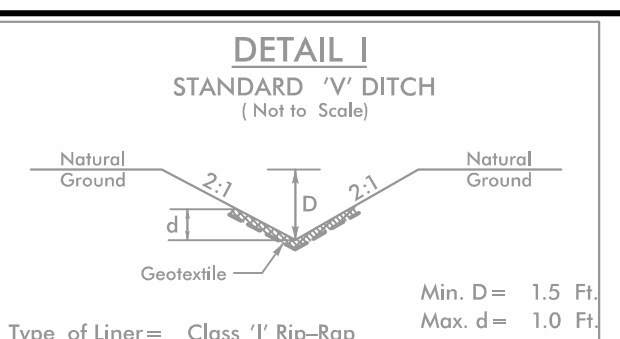
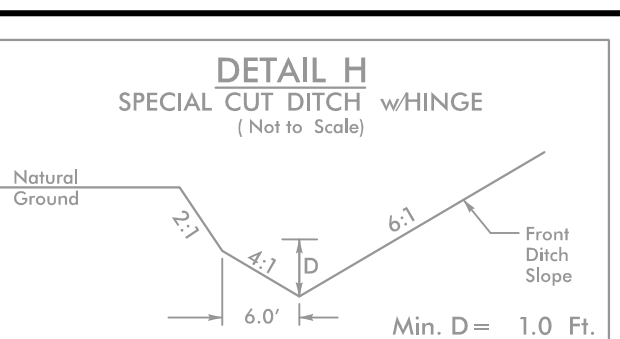
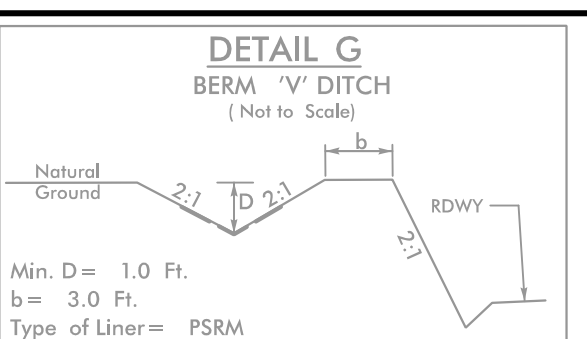
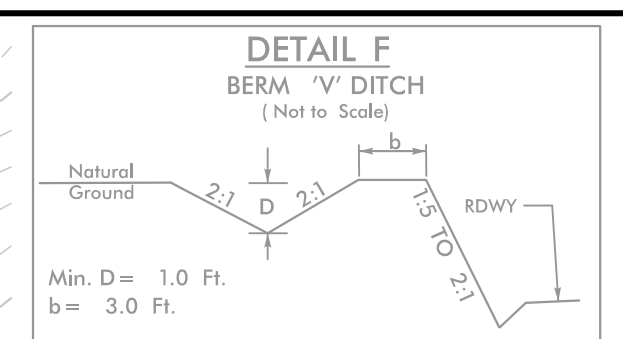
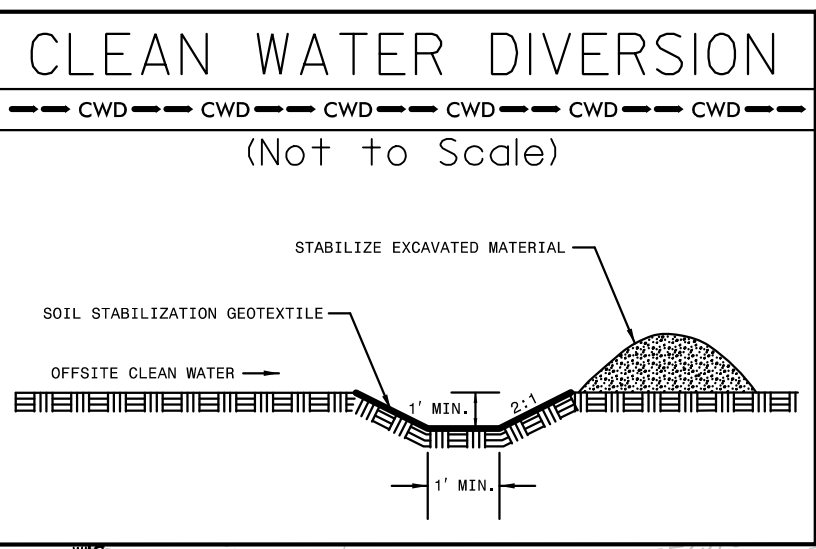


8/17/99



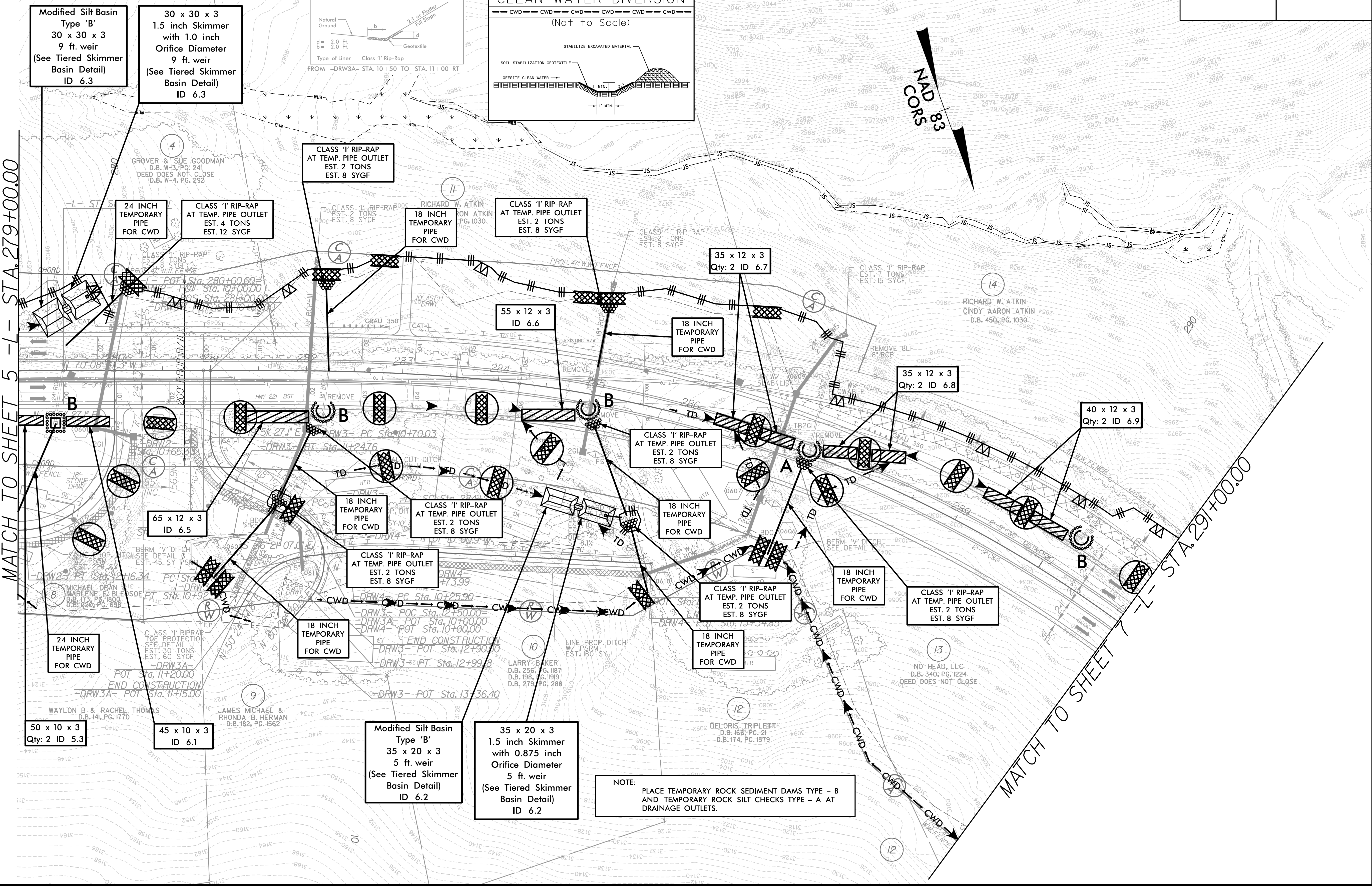
PROJECT REFERENCE NO. <b>R-2915C</b>	SHEET NO. <b>EC-06/CONST.06</b>
RW SHEET NO.	
ROADWAY DESIGN ENGINEER	HYDRAULICS ENGINEER

CLEARING AND GRUBBING  
EROSION CONTROL FOR  
CONSTRUCTION SHEET 06



MATCH TO SHEET 5 - L - STA. 279+00.00

MATCH TO SHEET 7 - L - STA. 291+00.00



NOTE:  
PLACE TEMPORARY ROCK SEDIMENT DAMS TYPE - B  
AND TEMPORARY ROCK SILT CHECKS TYPE - A AT  
DRAINAGE OUTLETS.

REVISIONS

9/29/08 AM  
R-2915C\_cg\_PSH6.dgn  
P:\PROJECTS\2915C\CG\PSH6.dgn