
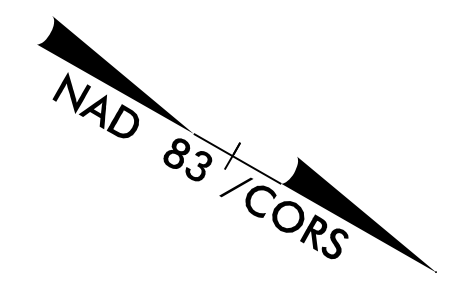
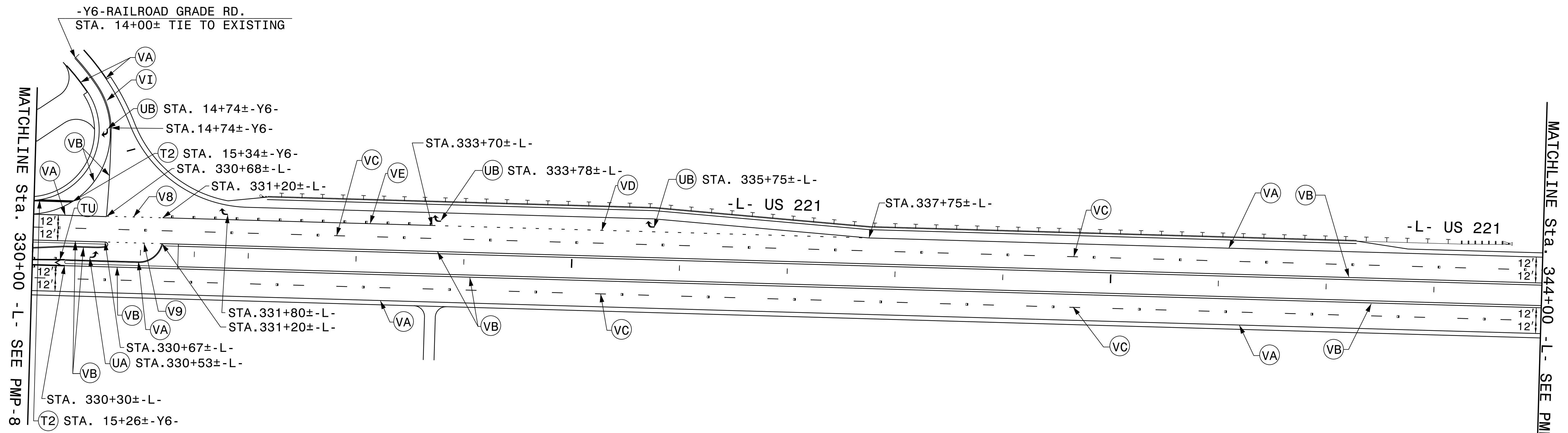


TIP NO. R-2915C	SHEET NO. PMP-9
APPROVED: <i>Joseph Kopaskie</i> SCDREAEF89AS4FA...	
DATE: 6/29/2016	
SEAL	
	
DOCUMENT NOT CONSIDERED FINAL UNLESS ALL SIGNATURES COMPLETED	



335

340



6/29/2016 10:00:00 AM  
C:\Users\jcopaskie\Documents\Projects\PM-9.dgn  
jcopaskie

PAVEMENT MARKING DETAIL