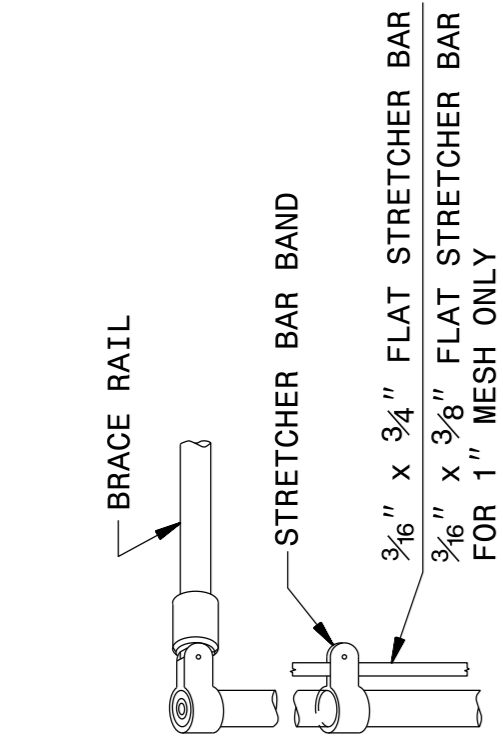
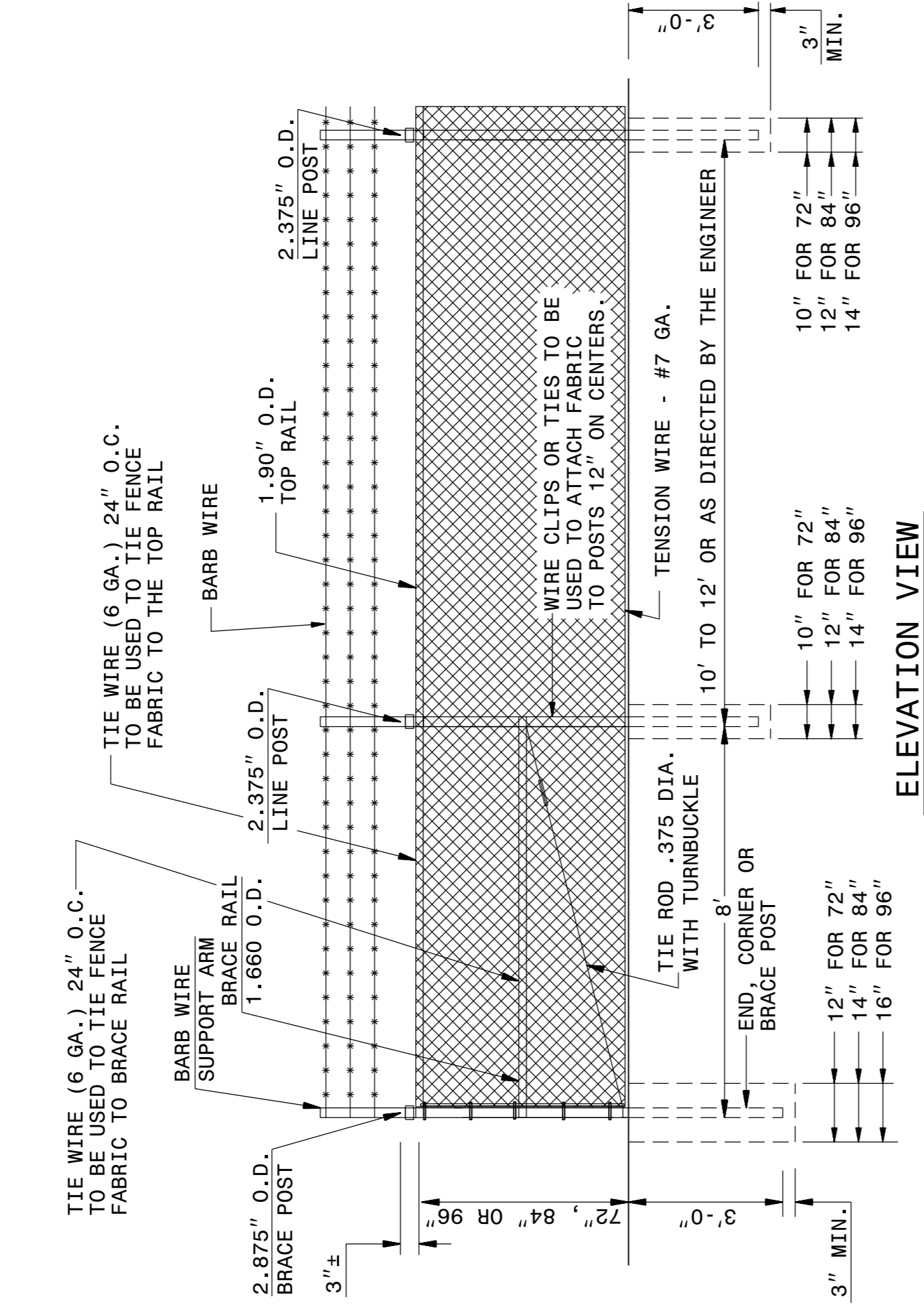

 STATE OF NORTH CAROLINA
 DEPT. OF TRANSPORTATION
 DIVISION OF HIGHWAYS
 RALEIGH, N.C.

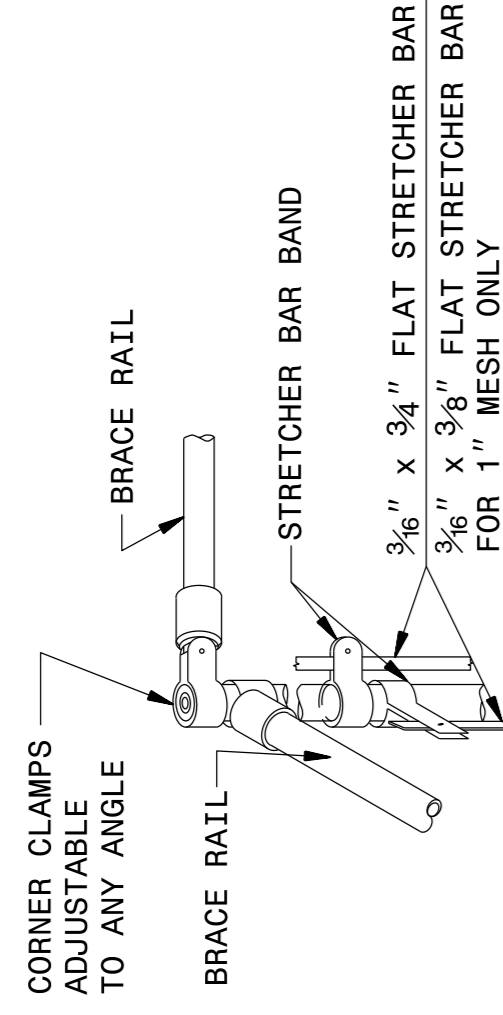
STATE OF
 NORTH CAROLINA
 DEPT. OF TRANSPORTATION
 DIVISION OF HIGHWAYS
 RALEIGH, N.C.



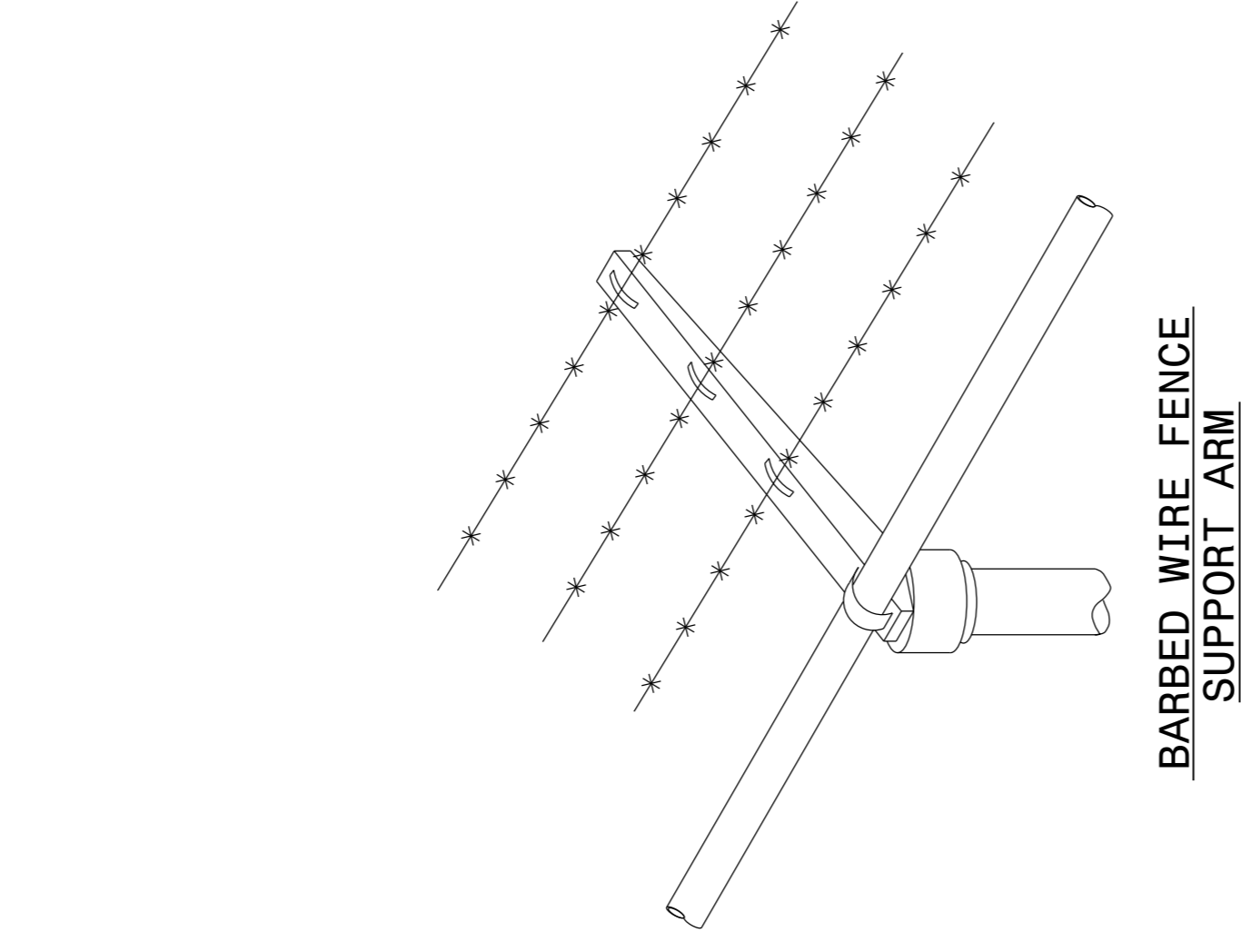
**END, GATE OR BRACE POST
 WITH STRETCHER BAR ATTACHMENT**



ELEVATION VIEW



**CORNER WITH STRETCHER
 BAR ATTACHMENT**



**BARBED WIRE FENCE
 SUPPORT ARM**

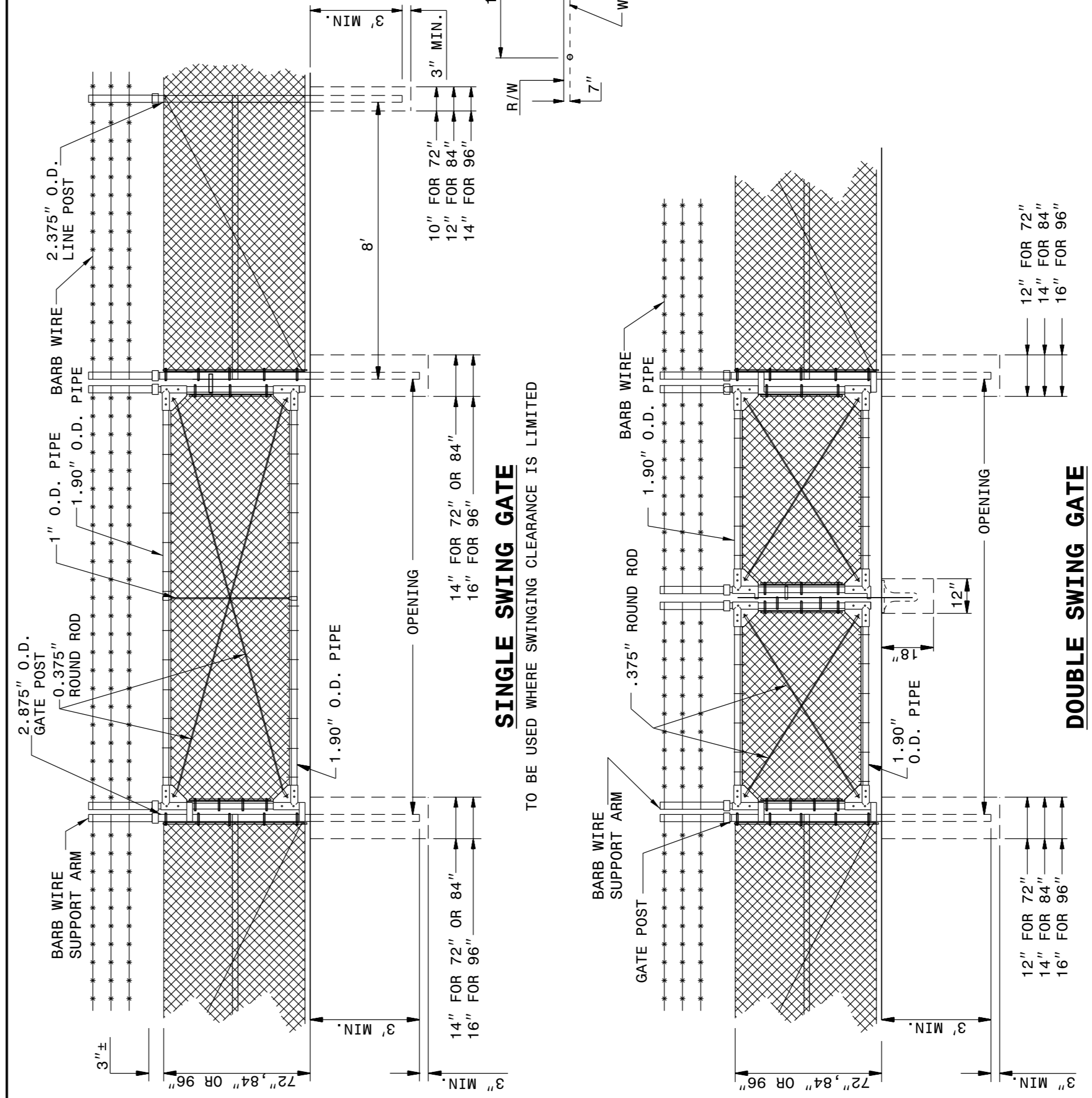
ENGLISH DETAIL DRAWING FOR
CHAIN LINK FENCE WITH BARBED WIRE
 6', 7' AND 8' HEIGHT

STATE OF
 NORTH CAROLINA
 DEPT. OF TRANSPORTATION
 DIVISION OF HIGHWAYS
 RALEIGH, N.C.

SHEET 1 OF 2
fence4c1

SHEET 1 OF 2
fence4c1

STATE OF
 NORTH CAROLINA
 DEPT. OF TRANSPORTATION
 DIVISION OF HIGHWAYS
 RALEIGH, N.C.

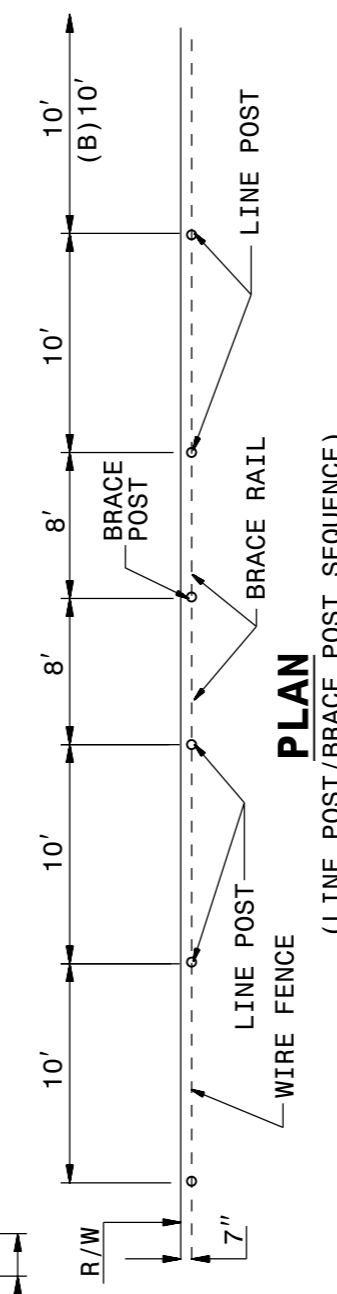
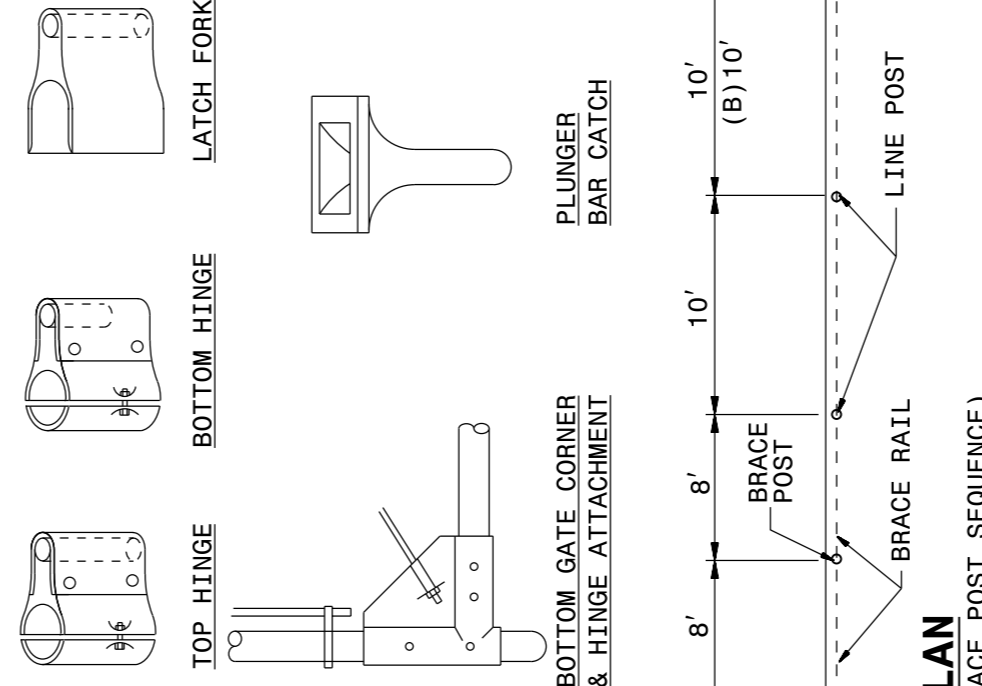


SINGLE SWING GATE

DOUBLE SWING GATE

STATE OF
 NORTH CAROLINA
 DEPT. OF TRANSPORTATION
 DIVISION OF HIGHWAYS
 RALEIGH, N.C.

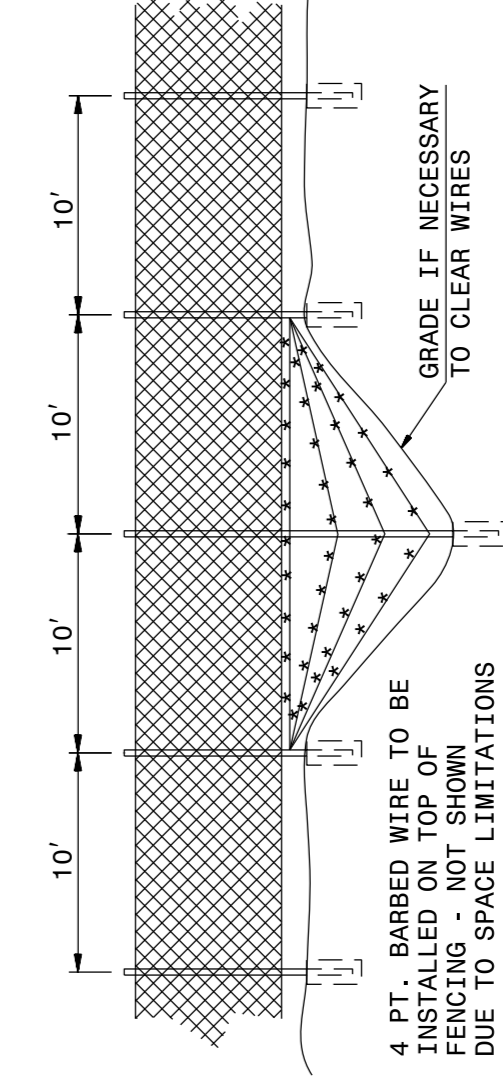
NOTE: FENCE HARDWARE VARIES DUE TO
 DIFFERING MANUFACTURERS SUPPLIES.



PLAN
 (LINE POST/BRACE POST SEQUENCE)

PLAN

PLACEMENT OF FENCE ALONG RIGHT OF WAY
 (ALL CORNER POSTS ARE TO BE BRACED AS SHOWN ABOVE)



4 PT. BARBED WIRE TO BE
 INSTALLED ON TOP OF
 FENCING (NOT SHOWN
 DUE TO SPACE LIMITATIONS
 TO CLEAR WIRES

DETAIL OF DITCH CROSSING

ENGLISH DETAIL DRAWING FOR
CHAIN LINK FENCE WITH BARBED WIRE
 6', 7' AND 8' HEIGHT

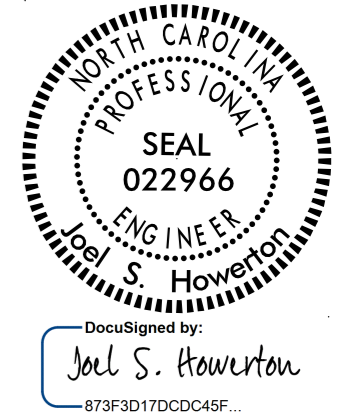
ENGLISH DETAIL DRAWING FOR
CHAIN LINK FENCE WITH BARBED WIRE
 6', 7' AND 8' HEIGHT

SHEET 2 OF 2
fence4c1

SHEET 2 OF 2
fence4c1

MAXIMUM WIRE SPACING TO BE 6"
 LONGEST STRAND AND GROUND TO BE 6"
 BRACE POSTS SHALL BE ERRECTED BETWEEN END CORNER OR GATE POSTS AT
 INTERVALS NOT EXCEEDING 700' ON TANGENTS OR 350' ON SHORT RADIUS CURVES.
 ADDITIONAL BRACE POSTS SHALL BE ERRECTED IF SO DIRECTED BY THE ENGINEER.
 BRACE POSTS SHALL BE BRACED FROM BOTH SIDES OF POST.

9/1/2016



DOCUMENT NOT CONSIDERED FINAL
 UNLESS ALL SIGNATURES COMPLETED

**CONTRACT STANDARDS
 AND DEVELOPMENT UNIT**
 Office 919-707-6950 FAX 919-250-4119

SEE PLATE FOR TITLE

ORIGINAL BY: N.T. KEGLERS DATE: MAR.11, 1996
 MODIFIED BY: _____ DATE: _____
 CHECKED BY: _____ DATE: _____
 FILE SPEC.: _____