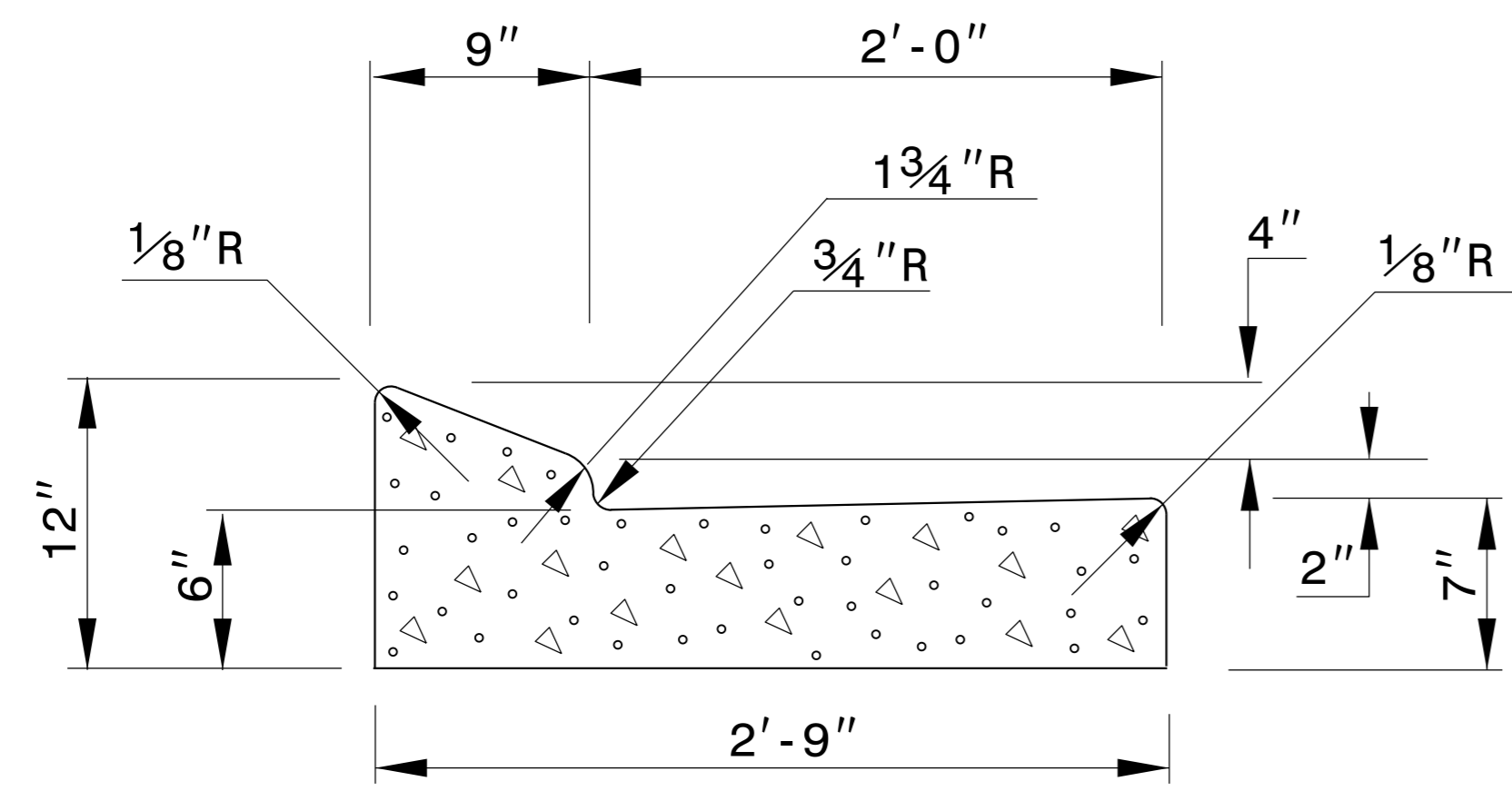
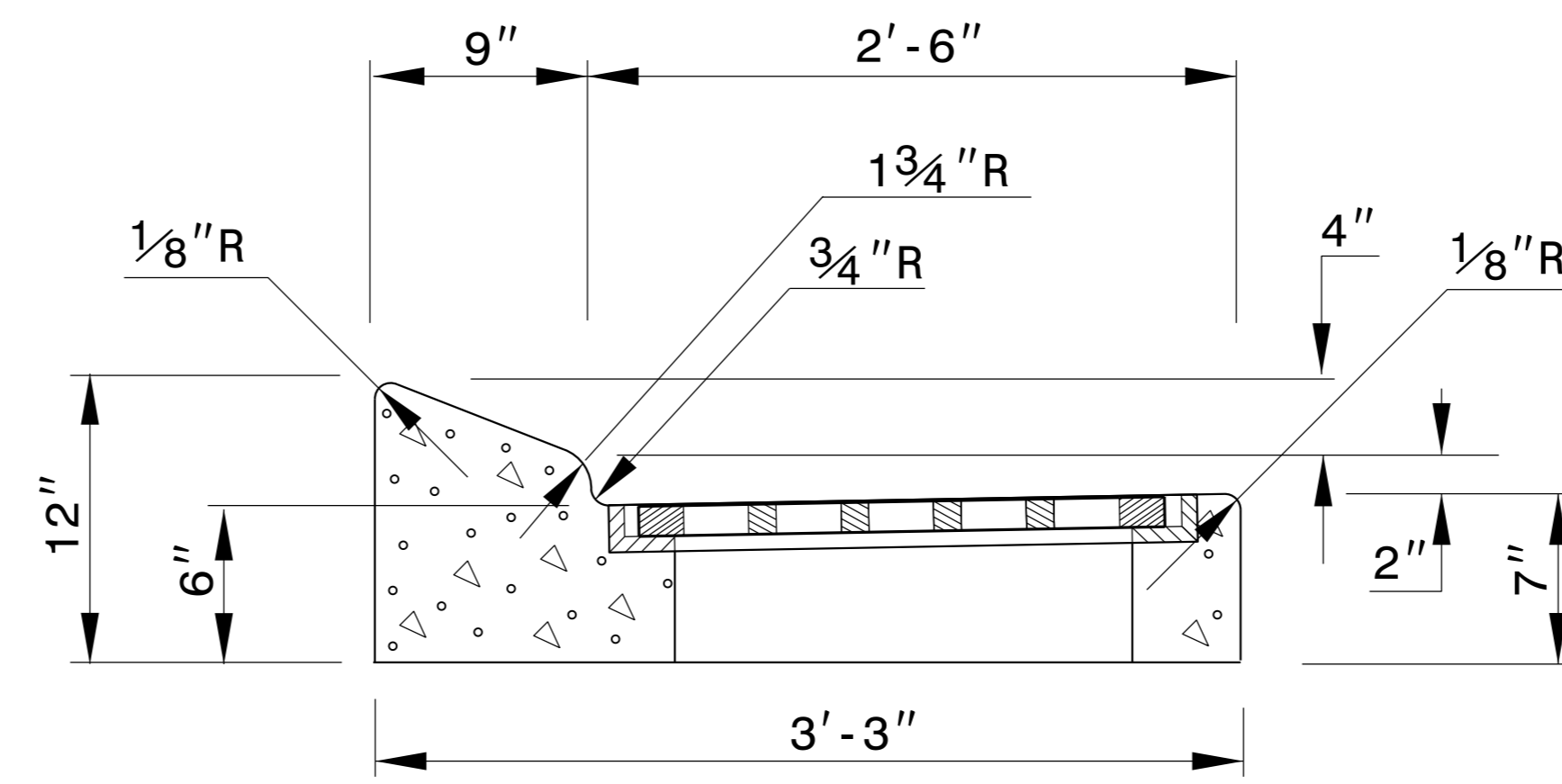


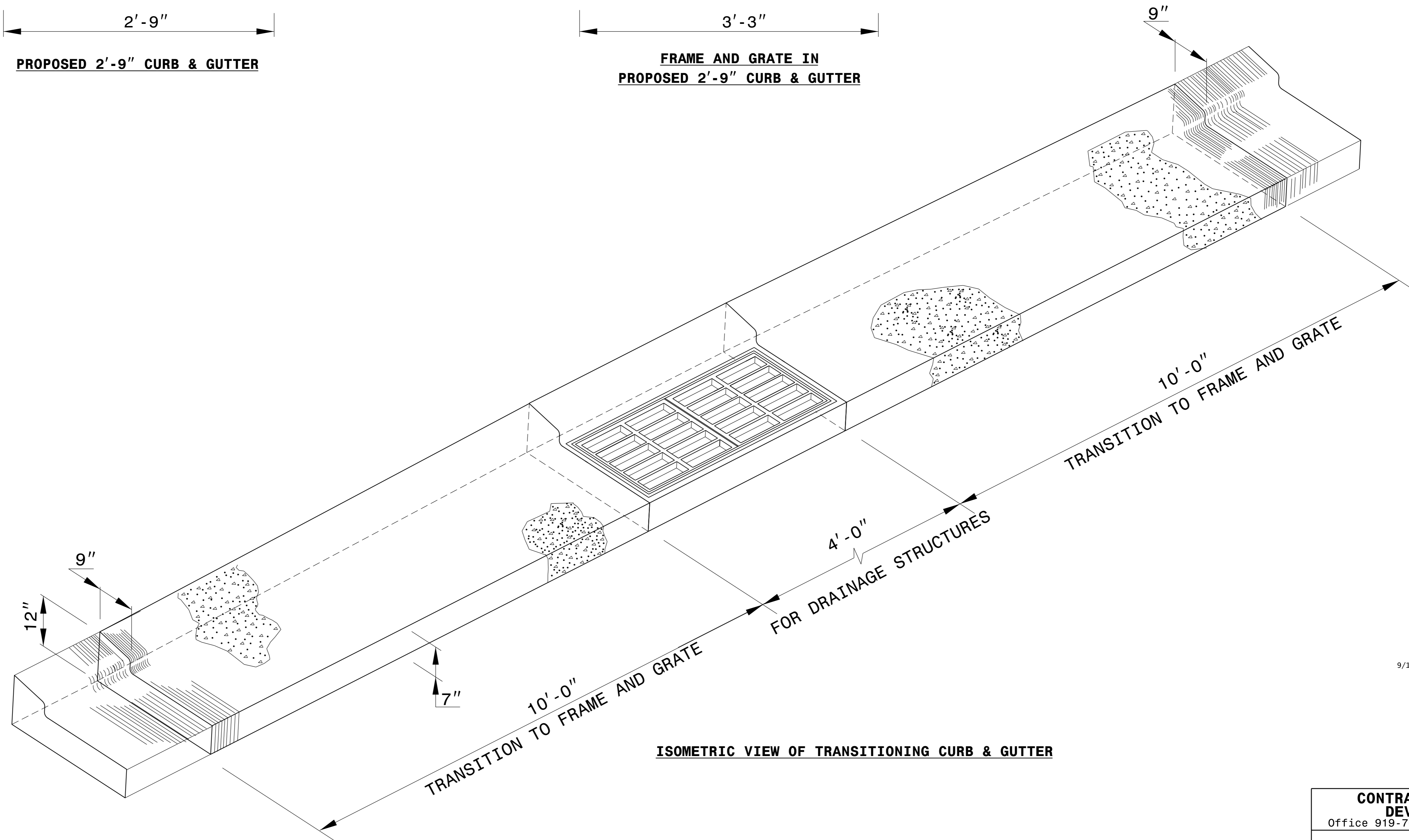
5/14/99



PROPOSED 2'-9" CURB & GUTTER



FRAME AND GRATE IN PROPOSED 2'-9" CURB & GUTTER



ISOMETRIC VIEW OF TRANSITIONING CURB & GUTTER

9/1/2016



DocuSigned by:
Joel S. Howerton
873F3D17DCCD46F...

DOCUMENT NOT CONSIDERED FINAL UNLESS ALL SIGNATURES COMPLETED

CONTRACT STANDARDS AND DEVELOPMENT UNIT
Office 919-707-6950 FAX 919-250-4119

DETAIL OF 2'-9" TO FRAME AND GRATE

ORIGINAL BY: _____ DATE: _____
 MODIFIED BY: _____ DATE: _____
 CHECKED BY: _____ DATE: _____
 FILE SPEC.: kkempf/english/curb_gutter_transition.dgn