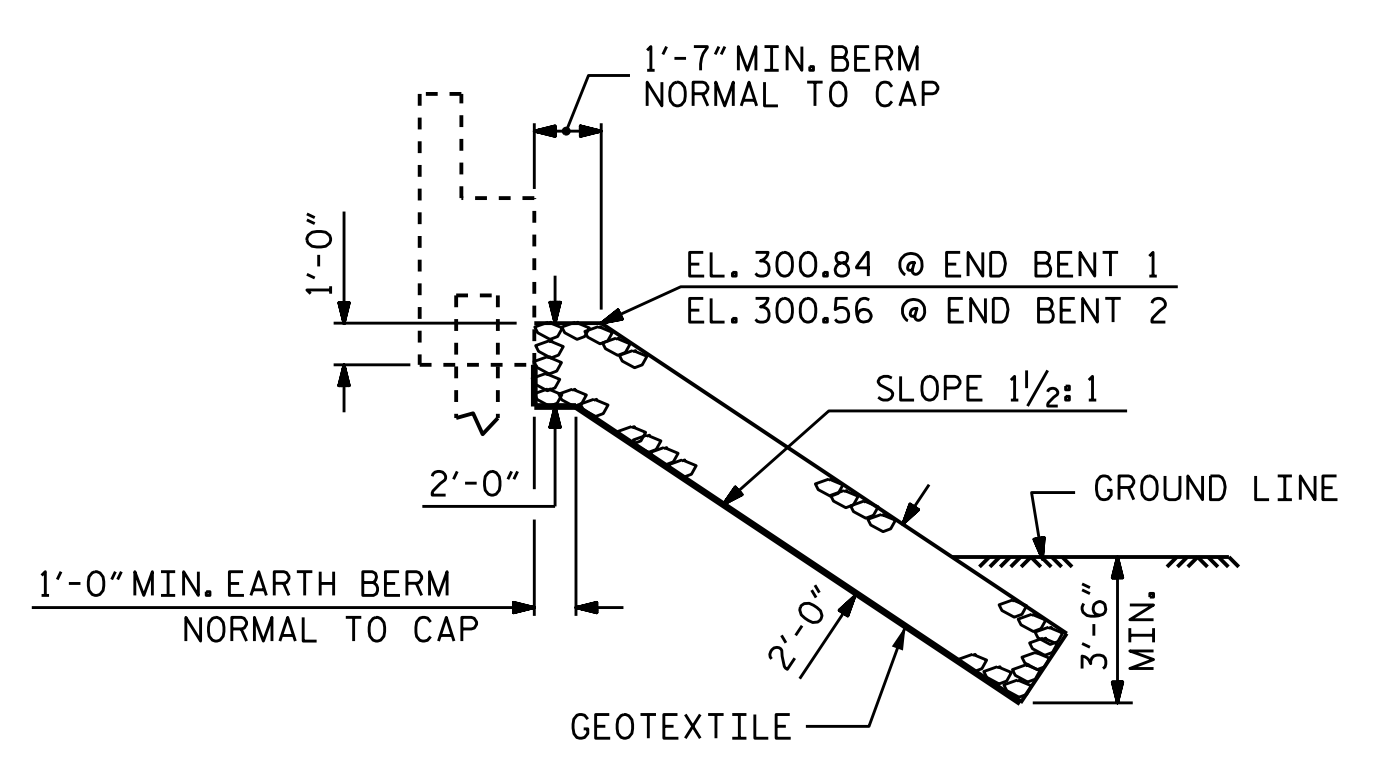
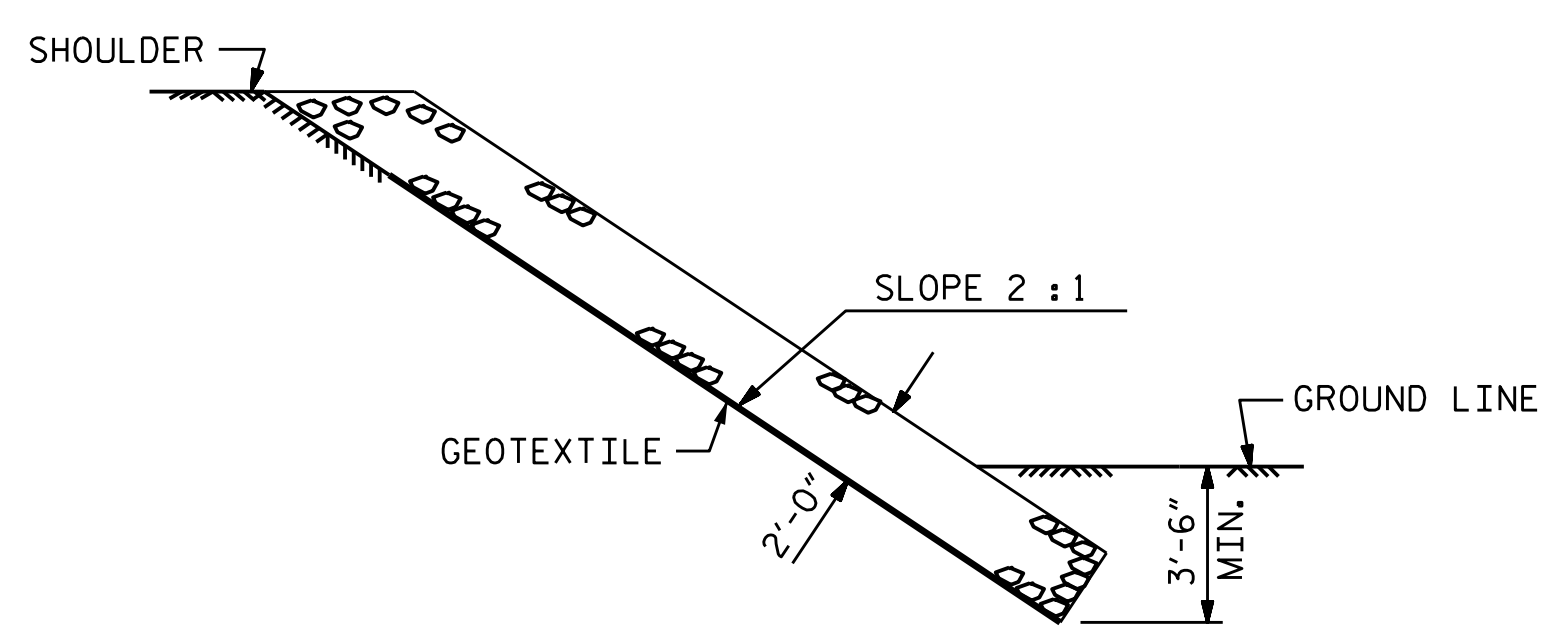


PLAN

ESTIMATED QUANTITIES		
BRIDGE @ STA. 16+89.00 -L-	RIP RAP CLASS II (2'-0" THICK)	GEOTEXTILE FOR DRAINAGE
	TONS	SQUARE YARDS
END BENT 1	67	75
END BENT 2	63	70

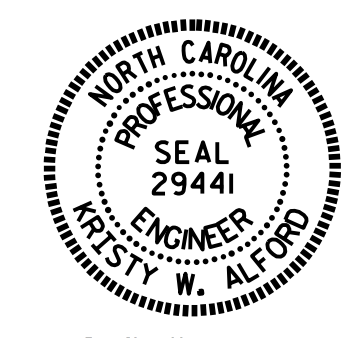


SECTION H-H



SECTION C-C

PROJECT NO. B-4945
VANCE COUNTY
 STATION: 16+89.00 -L-



STATE OF NORTH CAROLINA
 DEPARTMENT OF TRANSPORTATION
 RALEIGH
 STANDARD
 = RIP RAP DETAILS =

ASSEMBLED BY : T.L. AVERETTE	DATE : 08-09-16
CHECKED BY : J.P. ADAMS	DATE : 08-10-16
DRAWN BY : REK 1/84	REV. 5/1/06R TLA/GM
CHECKED BY : ROU 1/84	REV. 10/1/11 MAA/GM
	REV. 12/21/11 MAA/GM

DOCUMENT NOT CONSIDERED
 FINAL UNLESS ALL
 SIGNATURES COMPLETED

REVISIONS						SHEET NO.	
NO.	BY:	DATE:	NO.	BY:	DATE:	S-14	
1			3			TOTAL SHEETS	
2			4			15	