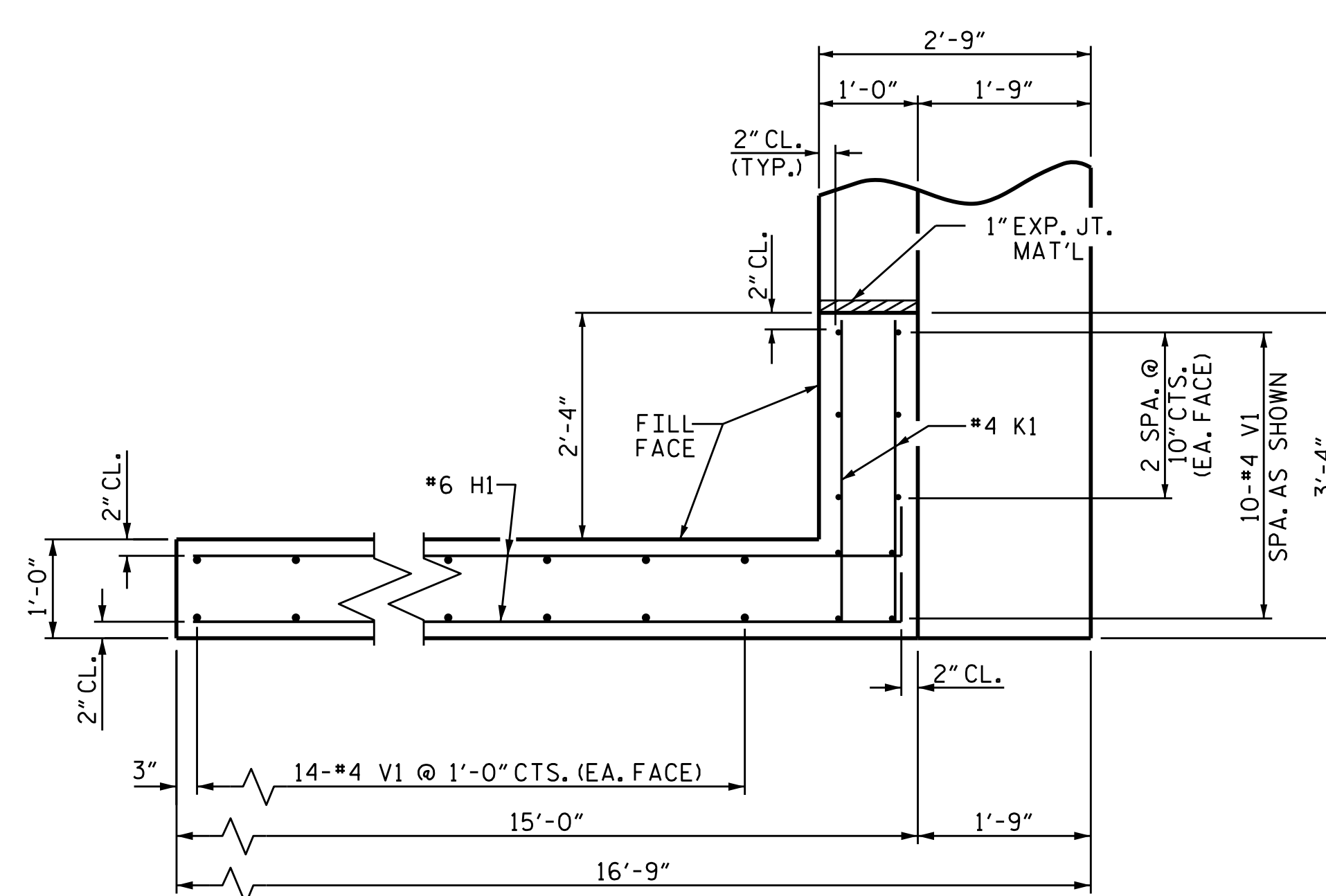
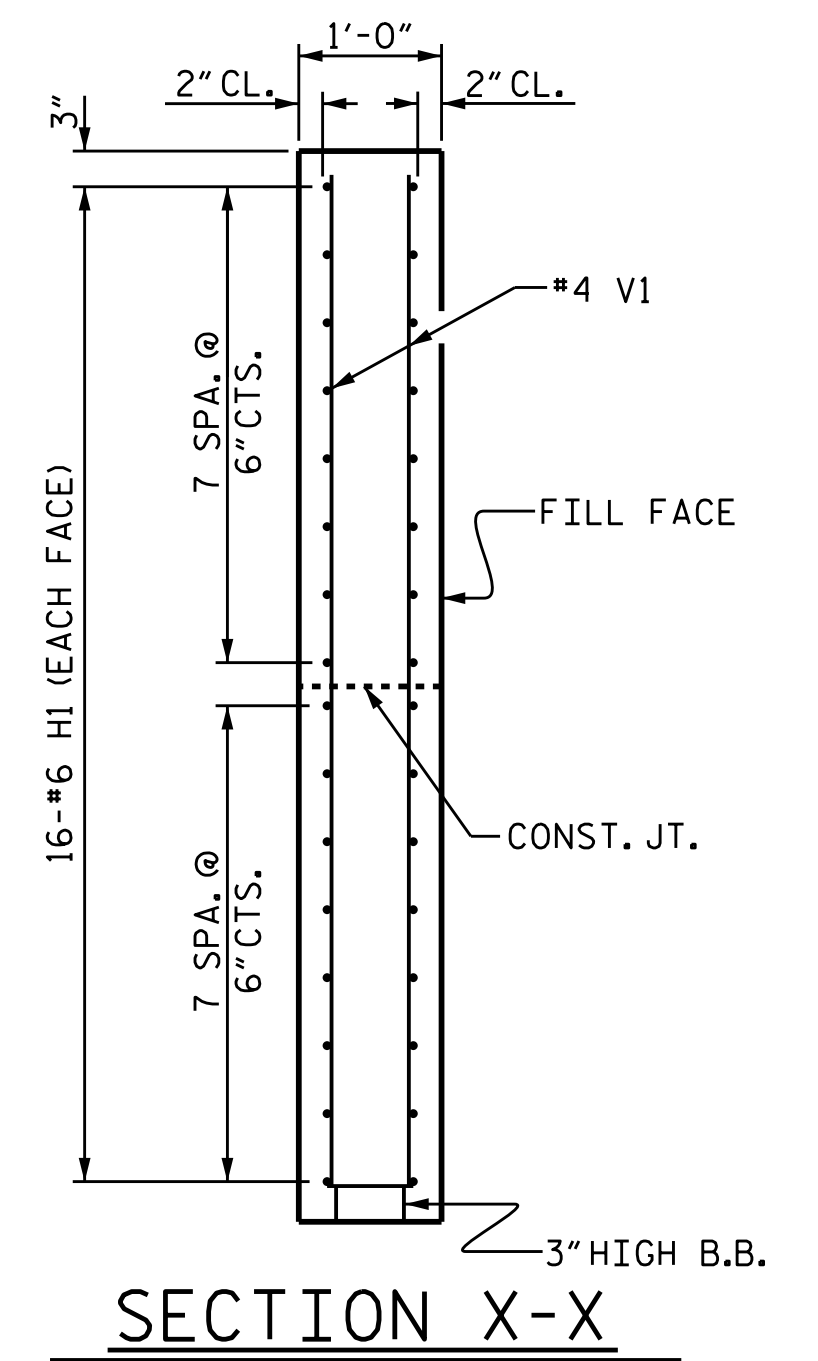


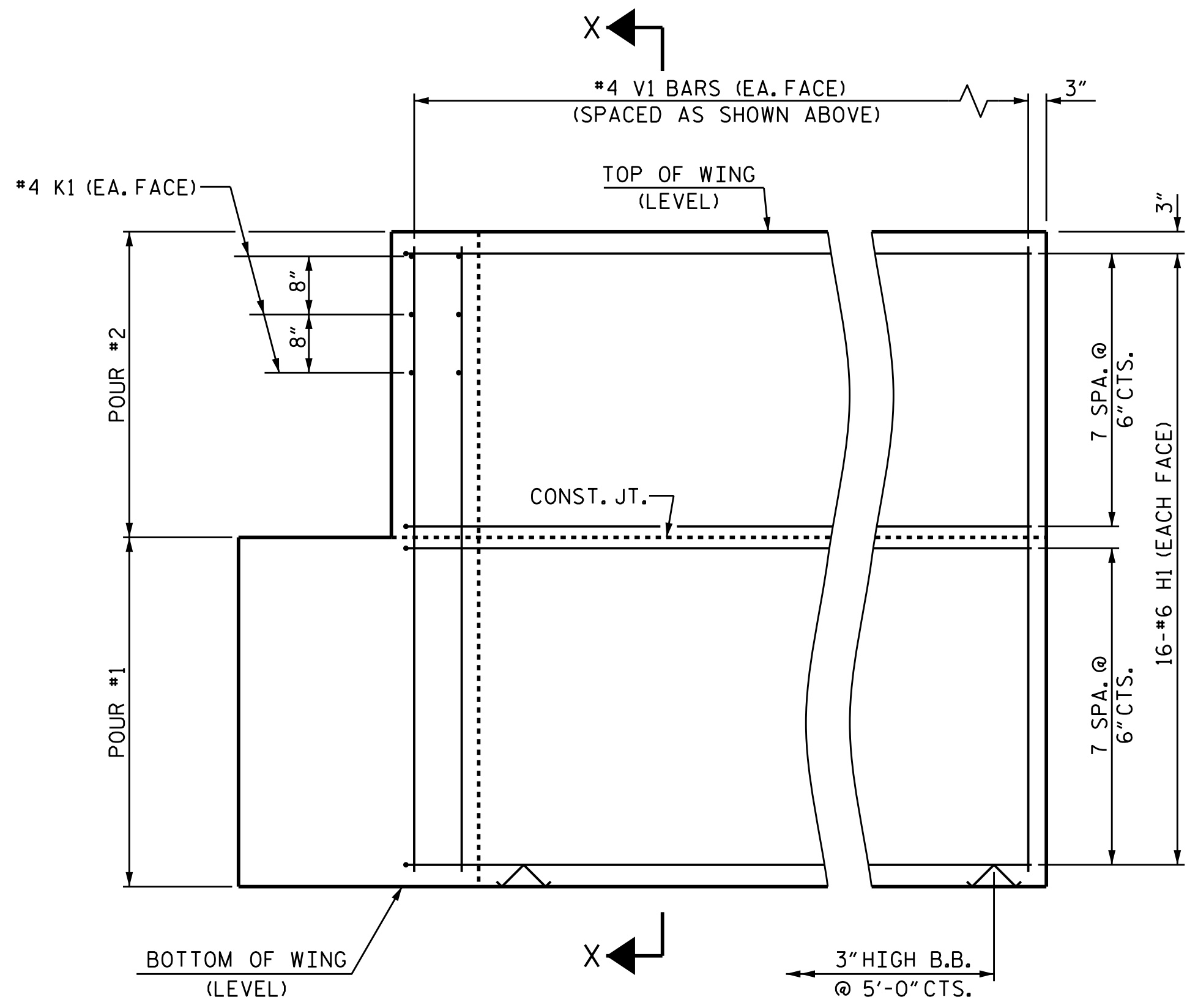
PLAN OF WING (W1)



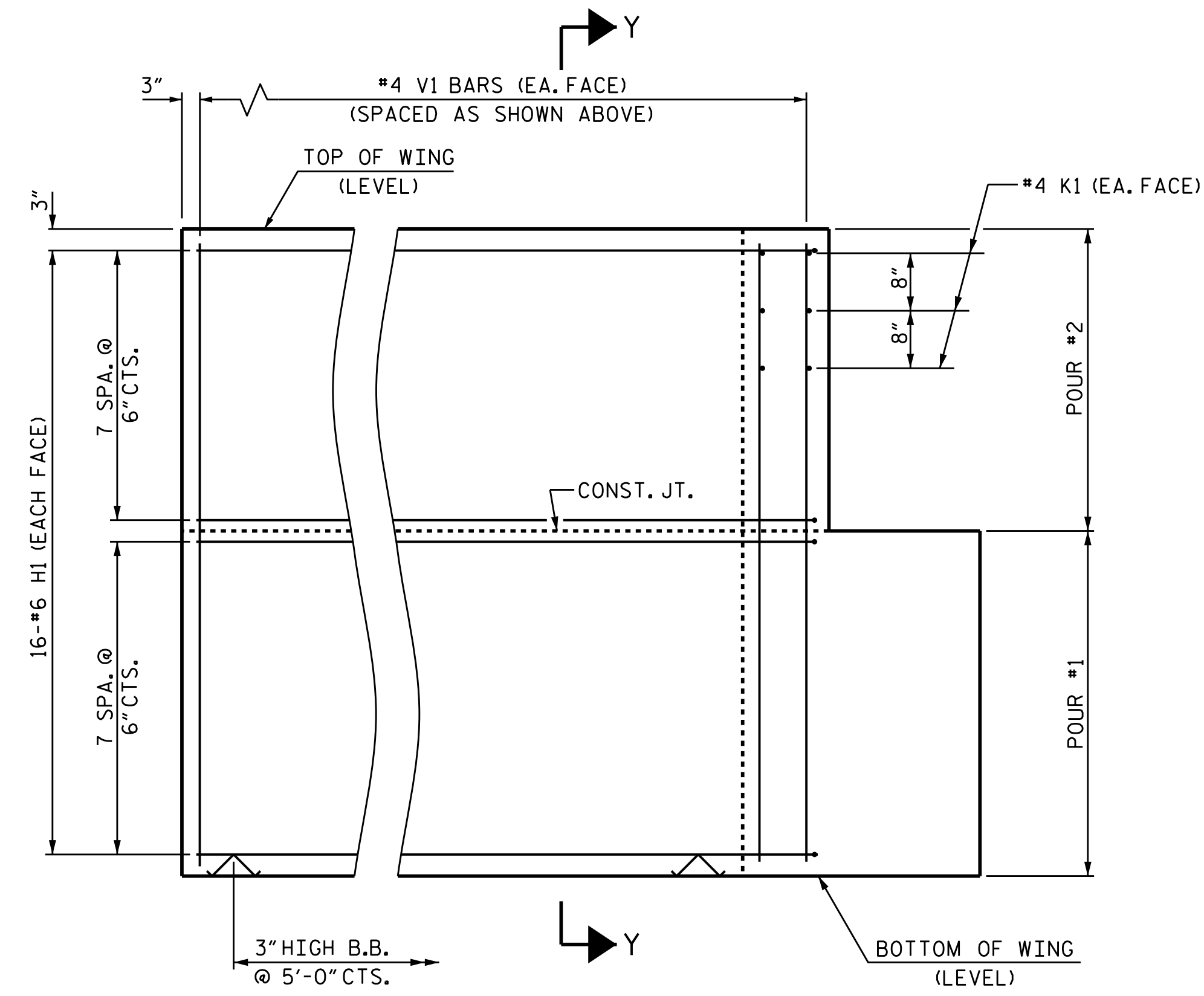
PLAN OF WING (W2)



SECTION X-X

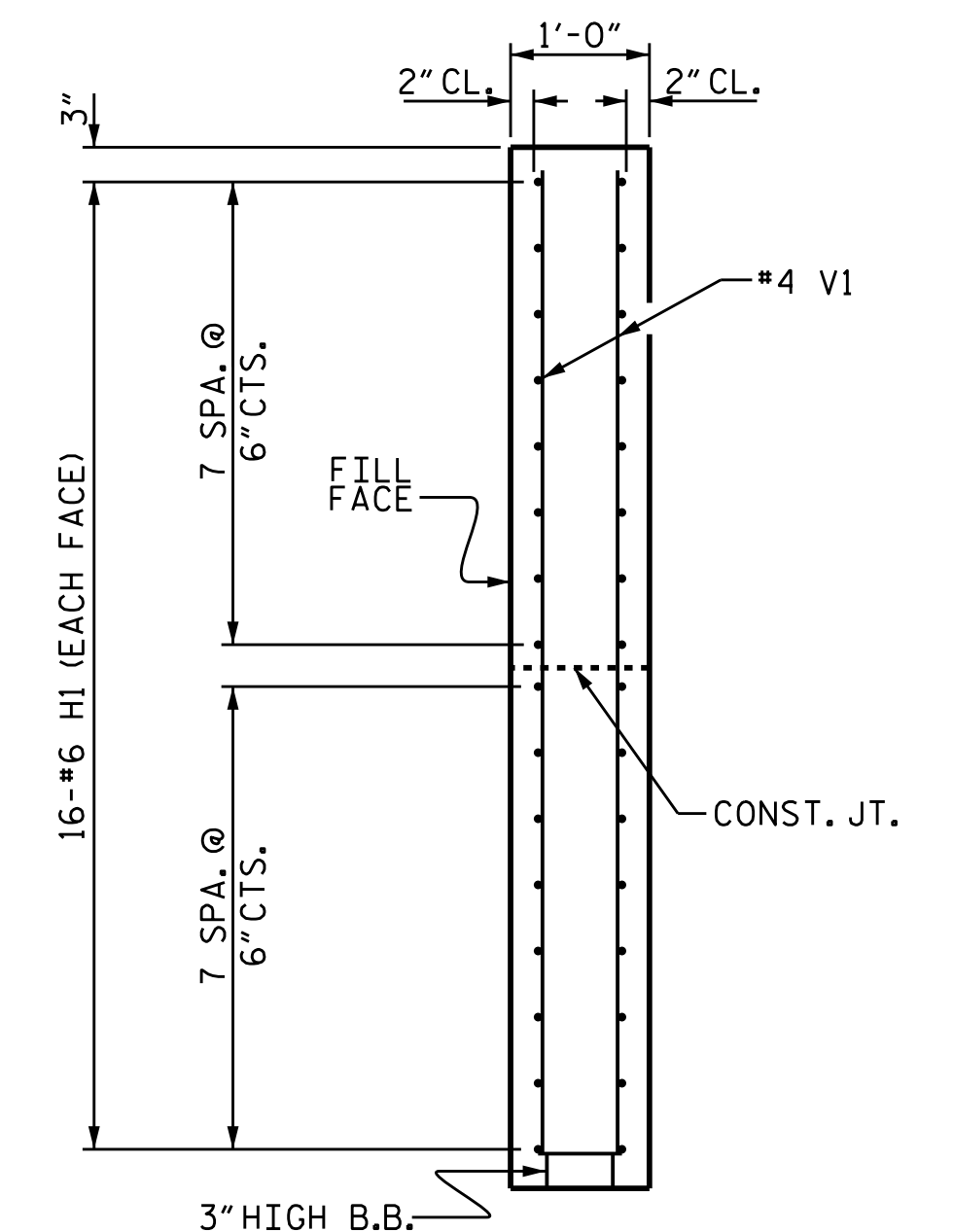


ELEVATION OF WING (W1)



ELEVATION OF WING (W2)

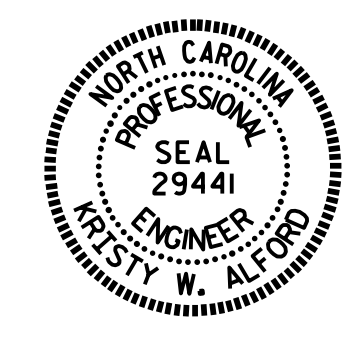
WING DETAILS



SECTION Y-Y

PROJECT NO. B-4945  
VANCE COUNTY  
 STATION: 16+89.00 -L-

SHEET 3 OF 4



STATE OF NORTH CAROLINA  
 DEPARTMENT OF TRANSPORTATION  
 RALEIGH  
 SUBSTRUCTURE  
 END BENT  
 WING DETAILS

ASSEMBLED BY : M.M. AHMED	DATE : 3-22-16
CHECKED BY : J.P. ADAMS	DATE : 8/2016
DRAWN BY : WJH 12/11	REV. 4/15
CHECKED BY : AAC 12/11	MAA/TMG

DOCUMENT NOT CONSIDERED  
 FINAL UNLESS ALL  
 SIGNATURES COMPLETED

REVISIONS						SHEET NO.	
NO.	BY:	DATE:	NO.	BY:	DATE:	S-12	
1			3			TOTAL SHEETS 15	
2			4				

07-SEP-2016 11:21  
 R:\Structures\Plans\B-4945.SD.BB.dgn  
 jpodams