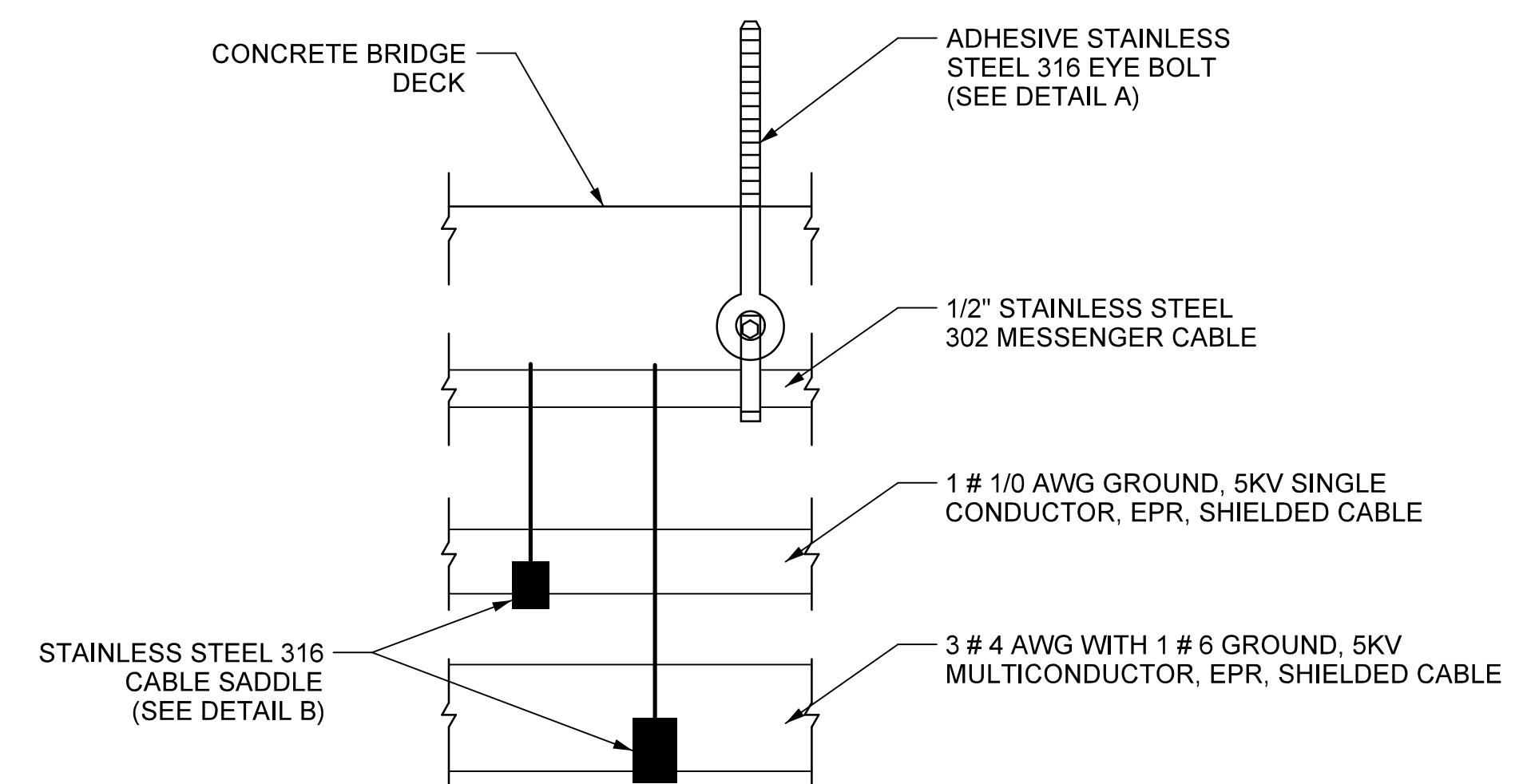
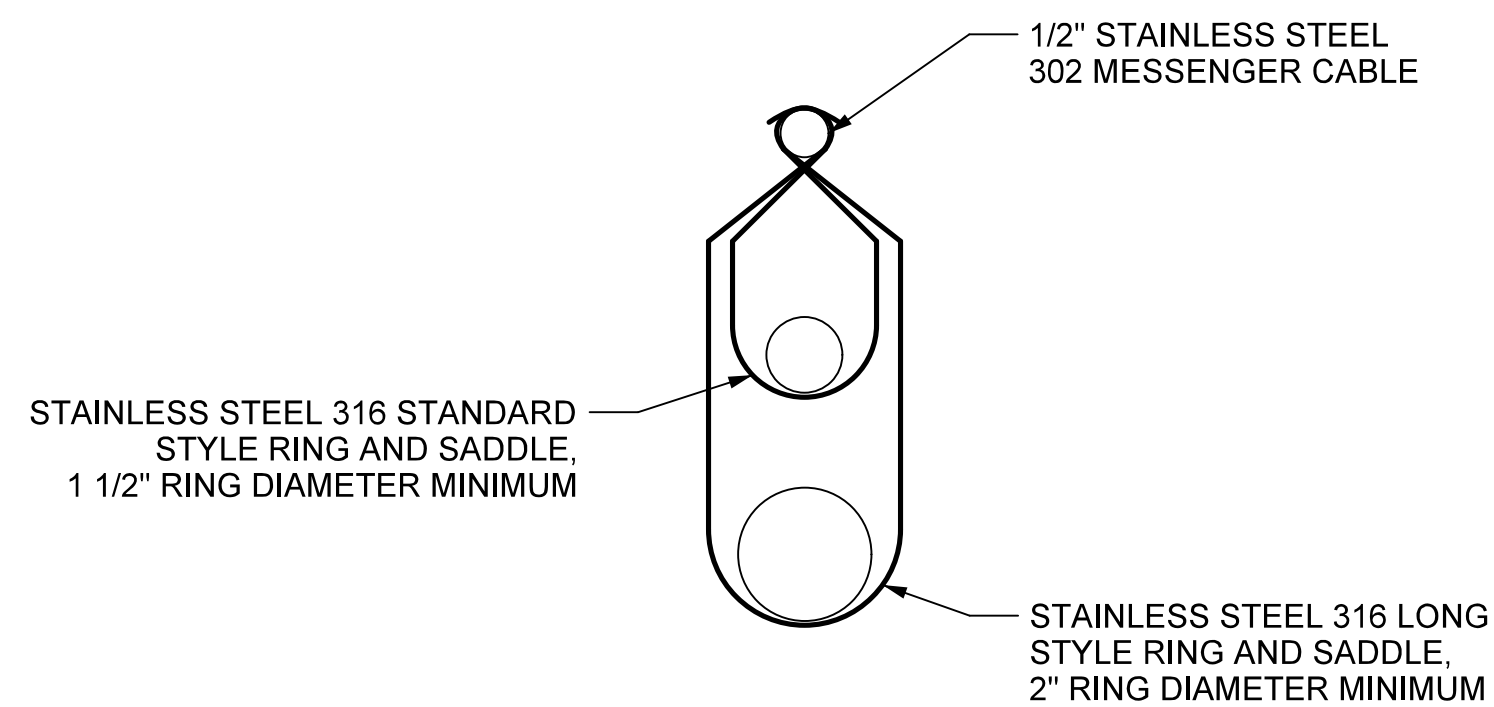


DETAIL A - AERIAL CABLE SUPPORTS (FRONT VIEW)
SCALE: 6" - 1'-0"



DETAIL C - AERIAL CABLE SUPPORTS (SIDE VIEW)
SCALE: 6" - 1'-0"



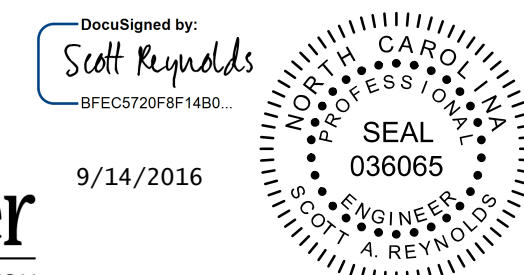
DETAIL B - AERIAL CABLE SADDLES (FRONT VIEW)
SCALE: 6" - 1'-0"

NOTES:

1. FINAL SIZE OF CABLE RINGS AND SADDLES TO BE COORDINATED WITH CABLE MANUFACTURER OUTER DIAMETER.
2. FURNISH AND INSTALL AERIAL CABLE SUPPORT EVERY 10 FEET OR PER MANUFACTURERS RECOMMENDATIONS.

PROJECT NO. B-5936
TYRRELL COUNTY
BRIDGE NO: 7

STATE OF NORTH CAROLINA
DEPARTMENT OF TRANSPORTATION
RALEIGH
**INCOMING SERVICE LAYOUT
& AERIAL CABLE
SUPPORT DETAILS**
ALLIGATOR RIVER
SWING SPAN



DRAWN BY: _QIV DATE: 8/8/2016
CHECKED BY: _MJT DATE: 8/8/2016
DESIGN ENGINEER OF RECORD: _CHS DATE: 8/8/2016

DWG NUMBER	55	TOTAL DWGS	90	DOCUMENT NOT CONSIDERED FINAL UNLESS ALL SIGNATURES COMPLETED	NO.	BY:	DATE:	NO.	BY:	DATE:	SHEET NO.	E-39
					1			3			TOTAL SHEETS	51
					2			4				

*****DTG*****
*****DGN*****
*****USERNAME*****