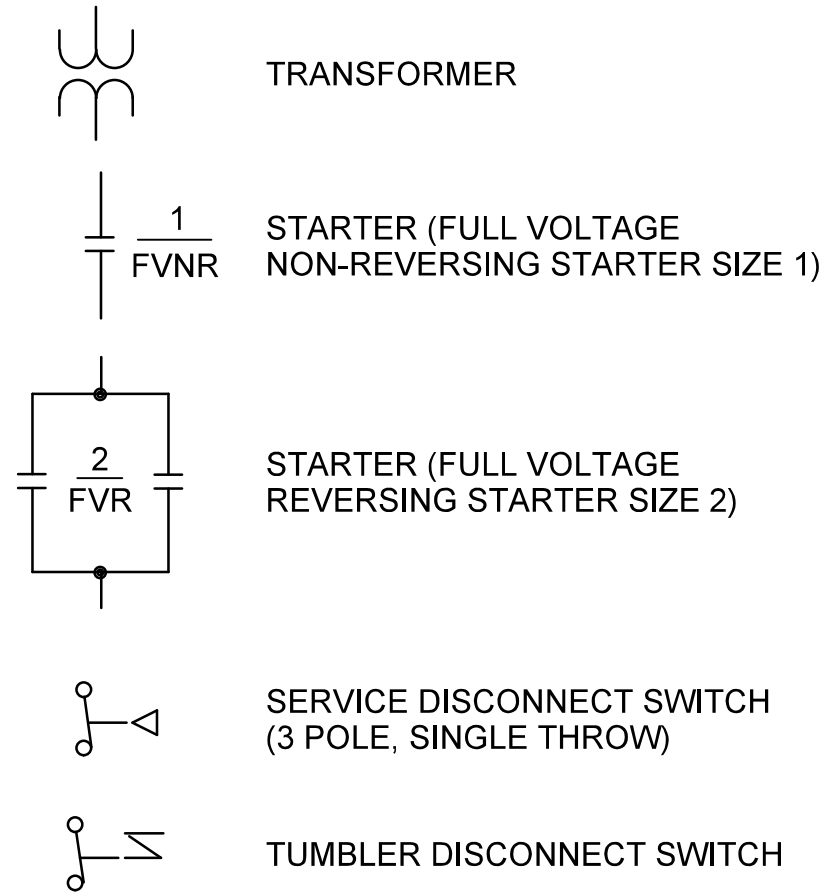
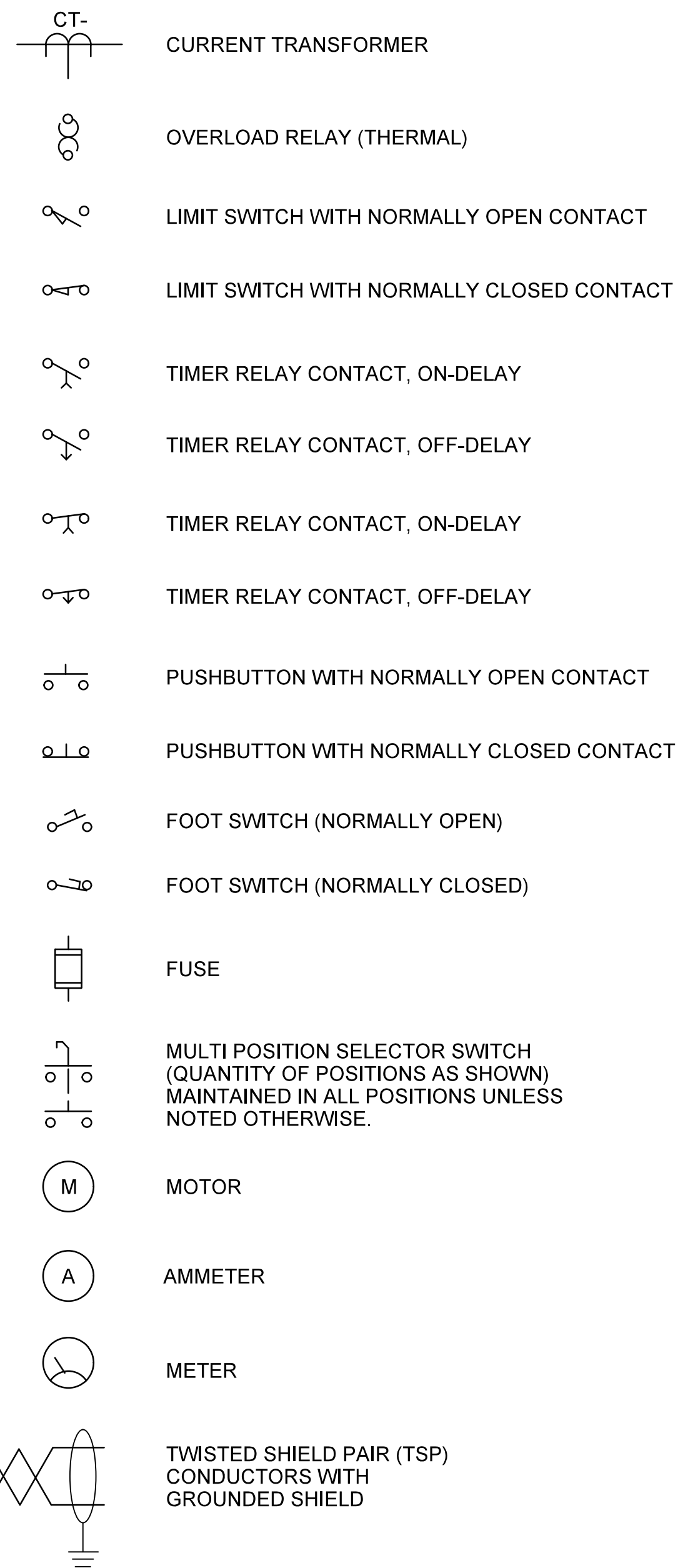


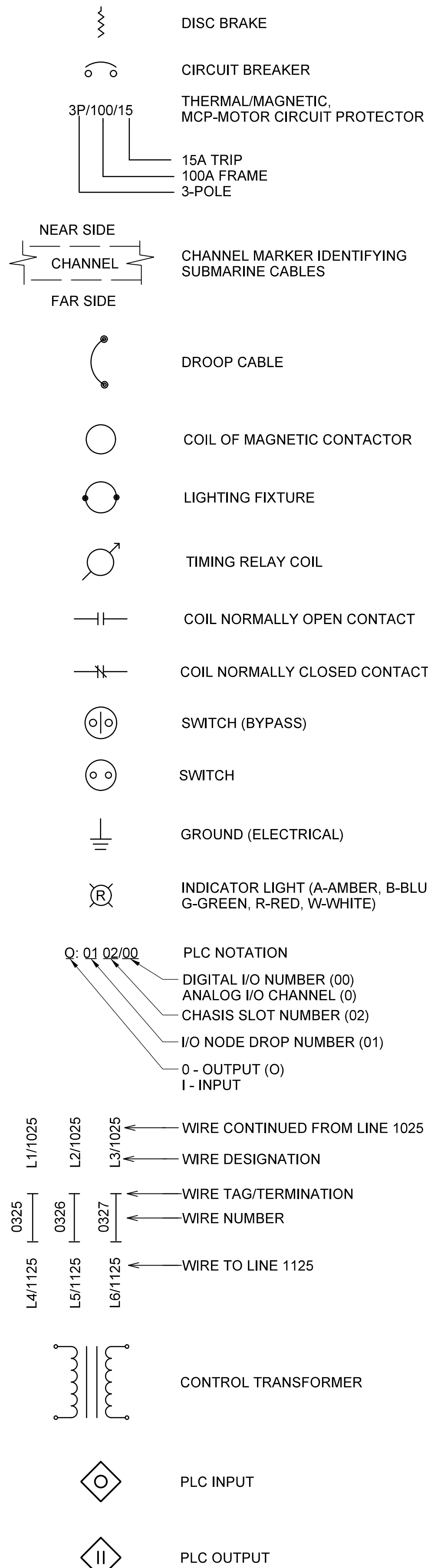
ONE LINE ELECTRICAL SYMBOLS



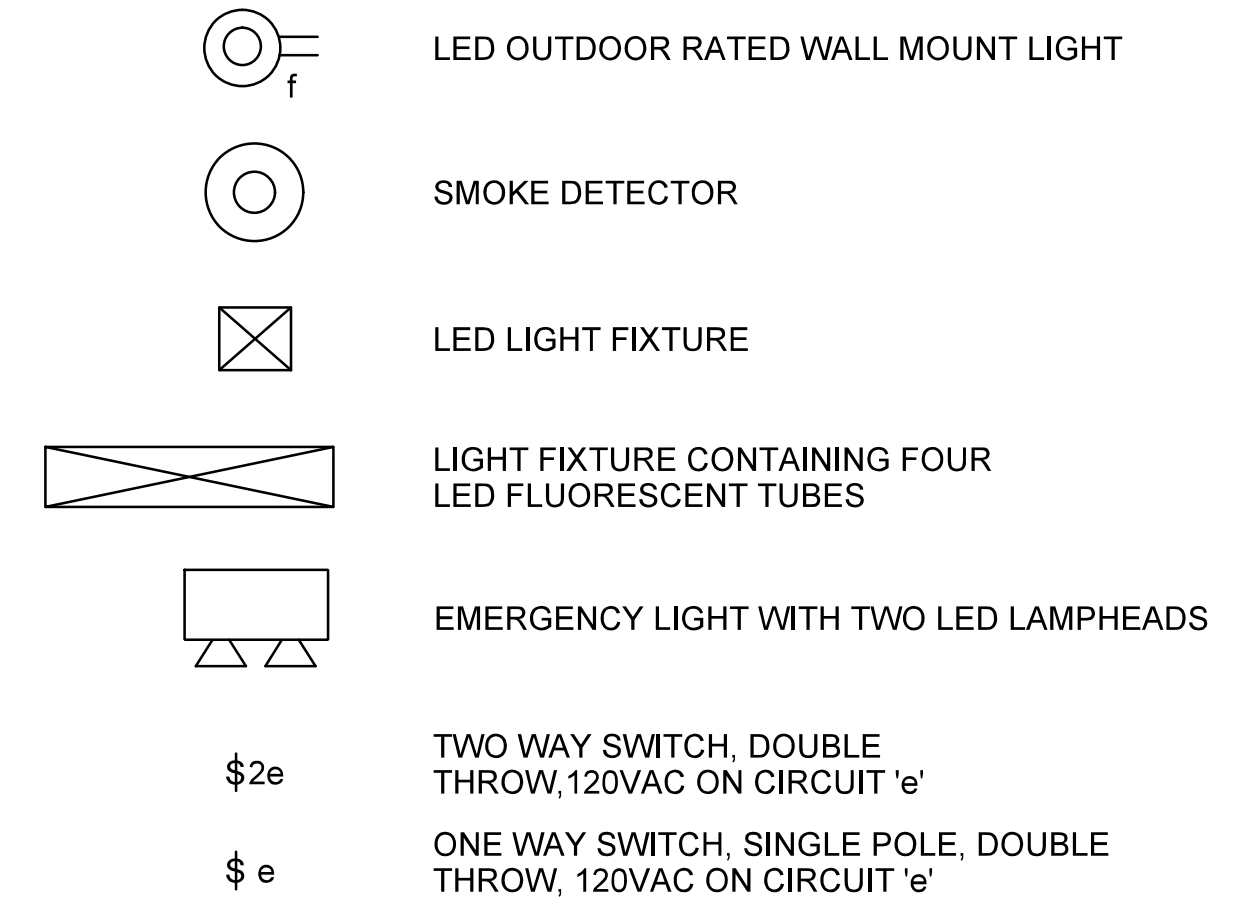
ONE LINE/WIRING SCHEMATIC SYMBOLS



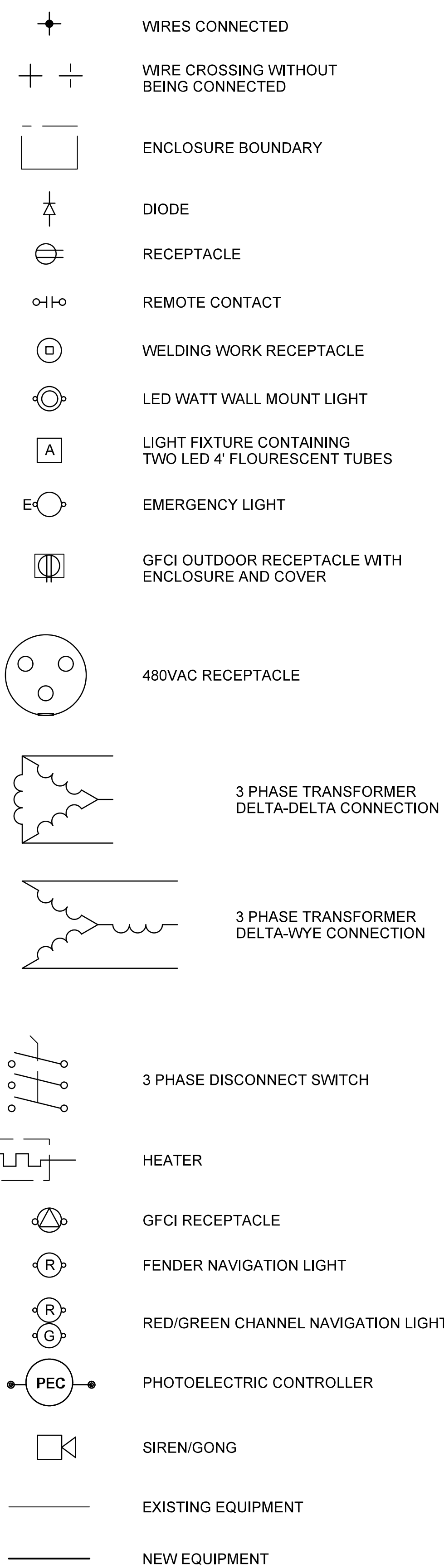
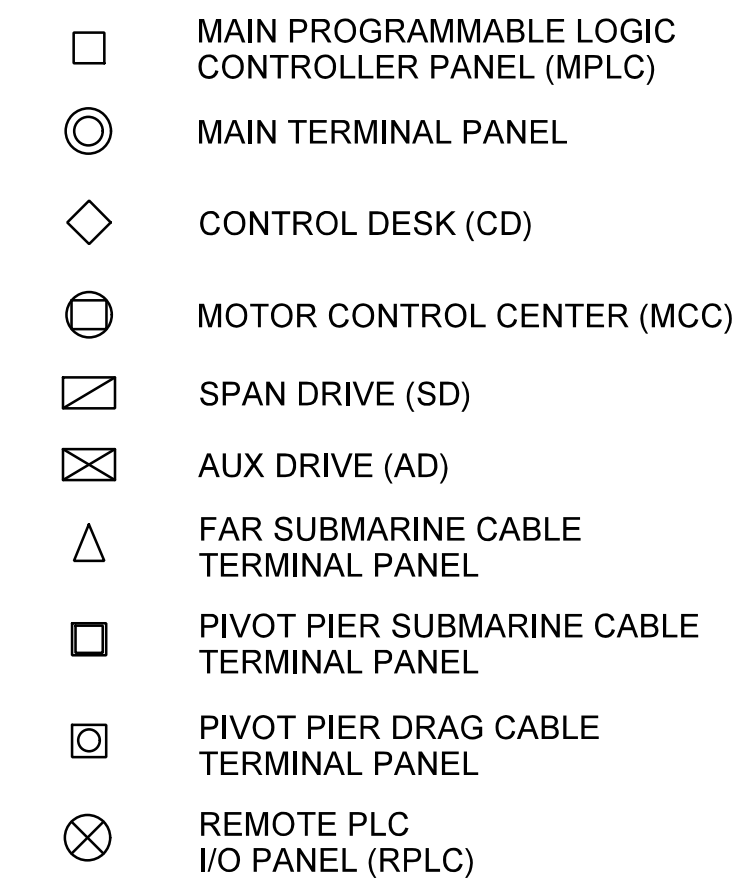
ONE LINE/WIRING SCHEMATIC SYMBOLS



LIGHT SYMBOLS LEGEND



TERMINAL SYMBOLS



PROJECT NO. B-5936
TYRRELL COUNTY
 BRIDGE NO: 7

STATE OF NORTH CAROLINA
 DEPARTMENT OF TRANSPORTATION
 RALEIGH

ELECTRICAL SYMBOLS

ALLIGATOR RIVER SWING SPAN

DocuSigned by:
 Scott Reynolds
 9/14/2016

DRAWN BY: _QIV DATE: 8/8/2016
 CHECKED BY: _MJT DATE: 8/8/2016
 DESIGN ENGINEER OF RECORD: _CHS DATE: 8/8/2016

DWG NUMBER 17	TOTAL DWGS 90	DOCUMENT NOT CONSIDERED UNLESS ALL SIGNATURES COMPLETED	NO. BY: DATE: NO. BY: DATE: NO. BY: DATE:	SHEET NO. E-1
			1 1 1 2 3 4	TOTAL SHEETS 51

*****DTG*****
 *****DGN*****
 *****USERNAME*****