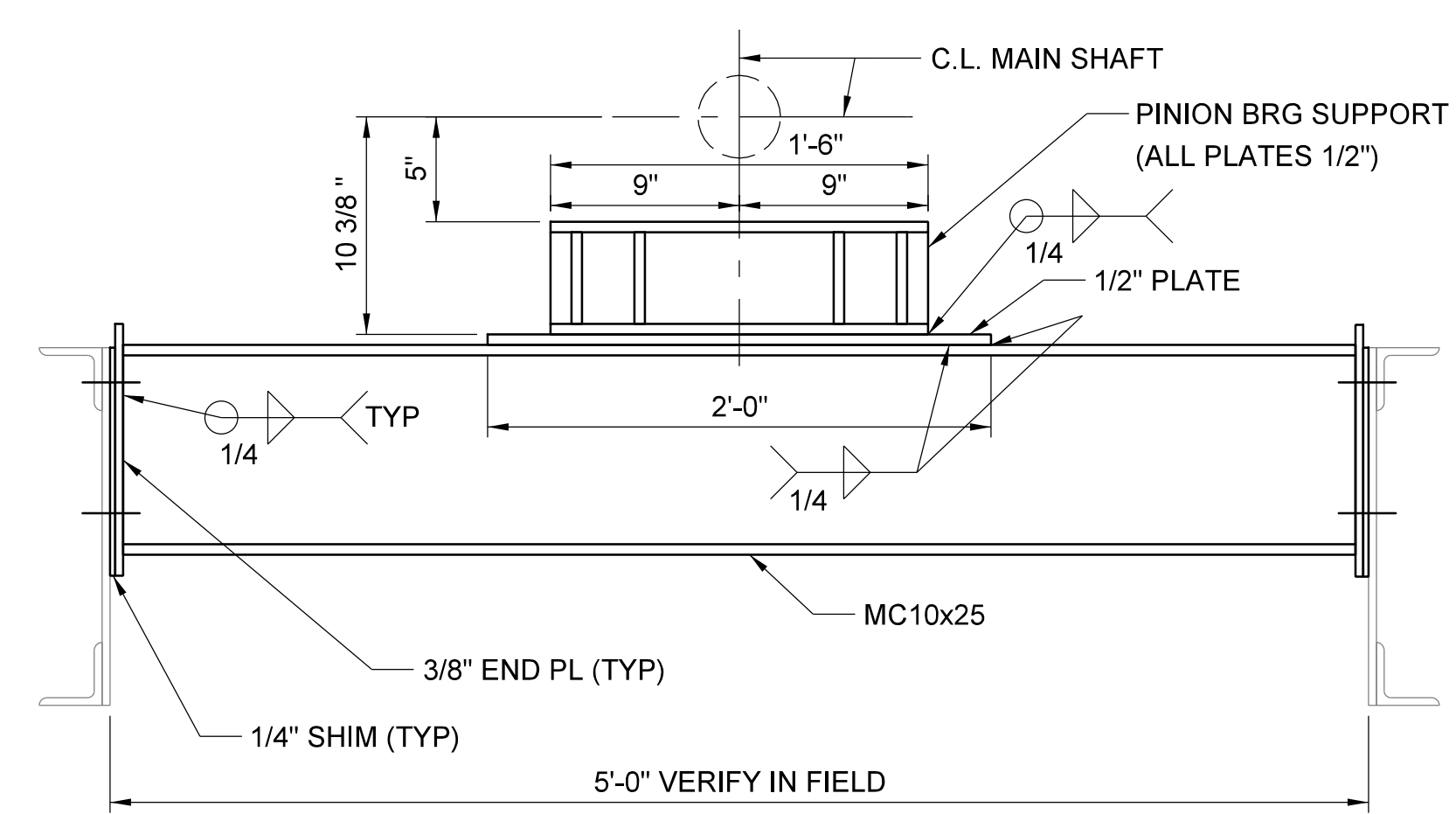
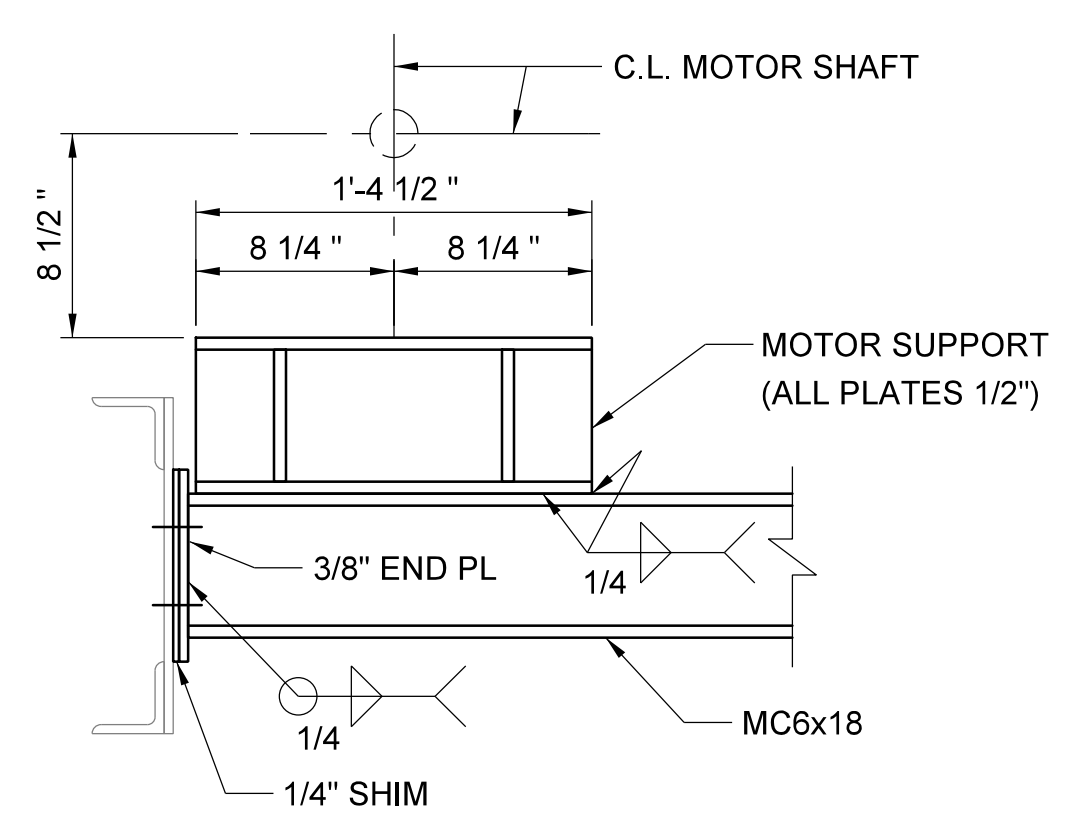


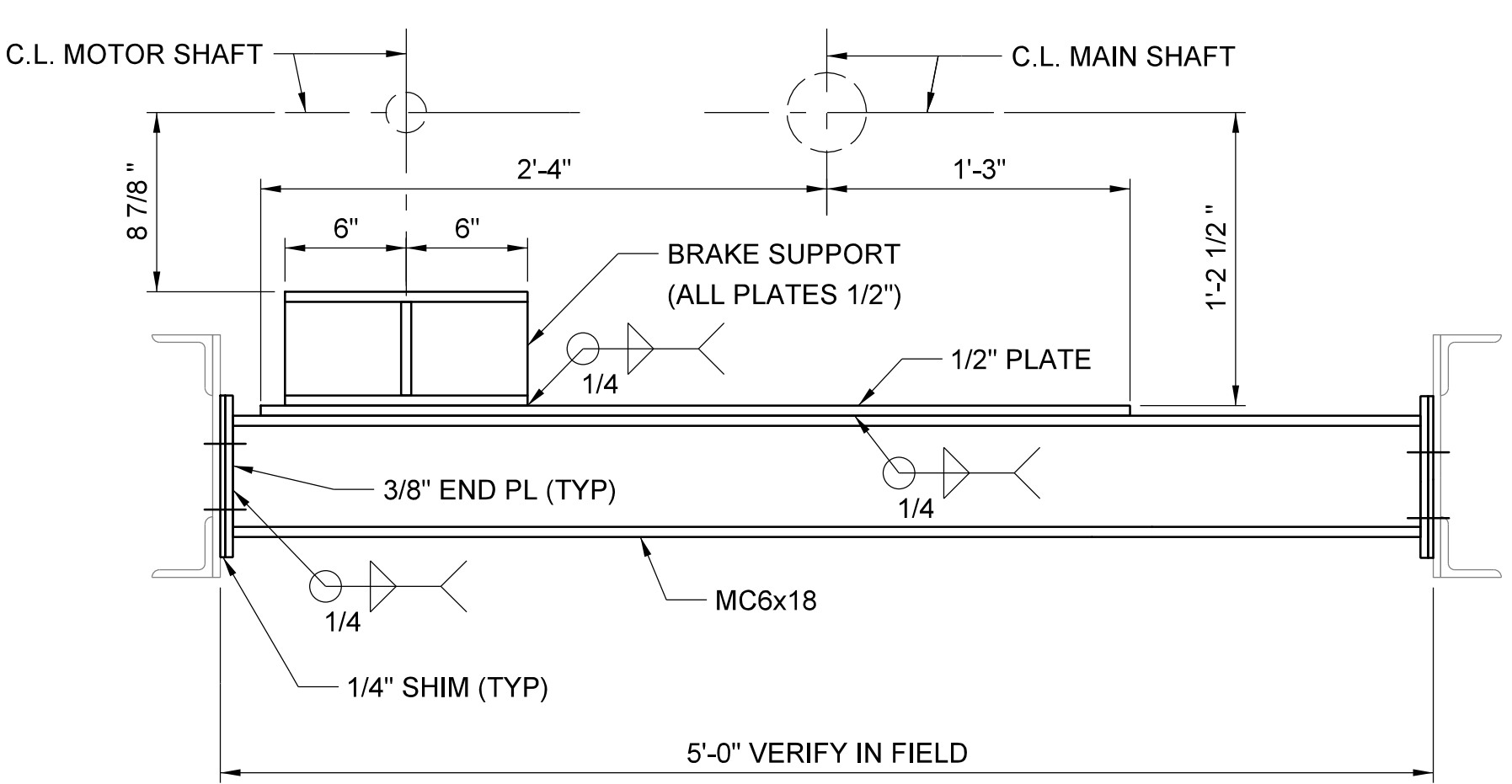
ELEVATION - TURNING MACHINERY SUPPORTS
SCALE: 1 1/2" = 1'-0"



SECTION AT PINION BEARING
SCALE: 1 1/2" = 1'-0"



SECTION AT MOTOR
SCALE: 1 1/2" = 1'-0"

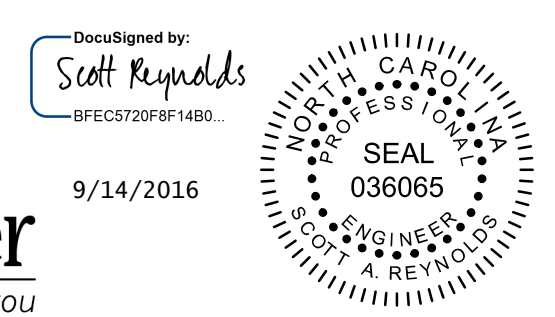


SECTION AT REDUCER AND BRAKE
SCALE: 1 1/2" = 1'-0"

NOTES

1. THE CONTRACTOR SHALL PERFORM A FIELD SURVEY OF SUPPORT MEMBERS AND SUBMIT TO THE ENGINEER FOR REVIEW PRIOR TO FABRICATION OF NEW MACHINERY SUPPORTS.
2. EXISTING TURNING MACHINERY SUPPORTS SHALL BE REMOVED AND DISPOSED. REMAINING EXISTING WELDS SHALL BE GROUND SMOOTH WITH THE BASE METAL. UN-USED BOLT HOLES SHALL BE FILLED WITH H.S. BOLTS OF SAME DIAMETER
3. SIZE AND LOCATION OF SUPPORTS ARE FOR REFERENCE ONLY. THE CONTRACTOR SHALL DETAIL NEW MACHINERY SUPPORTS BASED ON FIELD SURVEY AND SHOP DRAWINGS OF ACTUAL MACHINERY FURNISHED IN THIS CONTRACT.
4. NEW MACHINERY SUPPORTS AND EXISTING SUPPORTS WHERE SHOWN SHALL RECEIVE SYSTEM 1 PAINT IN ACCORDANCE WITH NCDOT STANDARD SPECIFICATIONS.
5. FINAL INSTALLED LOCATION AND PLACEMENT OF MECHANICAL AND ELECTRICAL EQUIPMENT SHALL BE COORDINATED WITH SCOPE OF WORK SHOWN ELSEWHERE.
6. MOUNTING/HOLE PLACEMENT AND SIZE SHALL BE AS SPECIFIED ELSEWHERE.
7. ALL BOLTS SHALL BE H.S. DIA. 7/8" UNLESS NOTED OTHERWISE
8. ALL MACHINERY MOUNTING SURFACES SHALL HAVE A 250 MICRO-INCH AND BE FLAT WITHIN 0.010 INCH. THICKNESS OF MOUNTING PLATES TO BE FINISHED ARE GIVEN FOR AFTER FINISHING.
9. UNLESS OTHERWISE NOTED, 1/2" SHIM PACK TO BE PROVIDED AT ALL MACHINERY MOUNTING SURFACES.

DRAWN BY: DMM DATE: 8/8/2016
 CHECKED BY: RH DATE: 8/8/2016
 DESIGN ENGINEER OF RECORD: GAF DATE: 8/8/2016



PROJECT NO. B-5936
TYRRELL COUNTY
 BRIDGE NO: 7

STATE OF NORTH CAROLINA
 DEPARTMENT OF TRANSPORTATION
 RALEIGH

MACHINERY SUPPORTS

ALLIGATOR RIVER SWING SPAN

| REVISIONS | | | | SHEET NO. | |
|-----------|----|------|----|-----------|------|
| NO | BY | DATE | NO | BY | DATE |
| 1 | | | 3 | | |
| 2 | | | 4 | | |

| | | | |
|------------|------------|---|--------------|
| DWG NUMBER | TOTAL DWGS | DOCUMENT NOT CONSIDERED FINAL UNLESS ALL SIGNATURES COMPLETED | TOTAL SHEETS |
| 15 | 90 | | 3 |