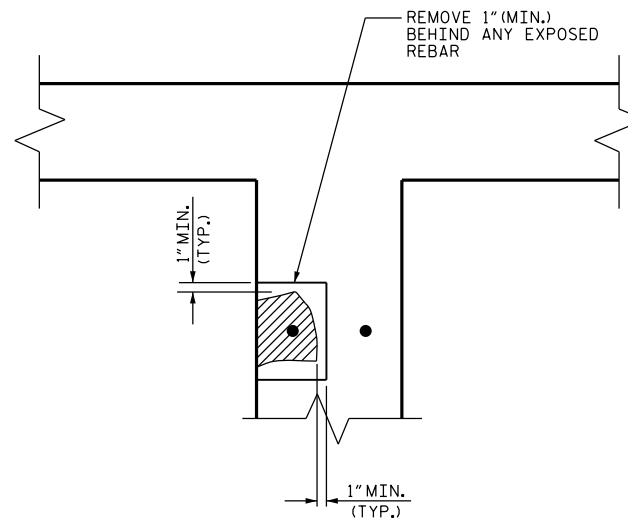


SECTION D-D



SECTION E-E

NOTES

CONTRACTOR SHALL REMOVE SURFACE CONCRETE TO VERIFY THAT SAWCUT DEPTH WILL NOT DAMAGE EXISTING REINFORCING STEEL OR PRESTRESSED TENDONS.

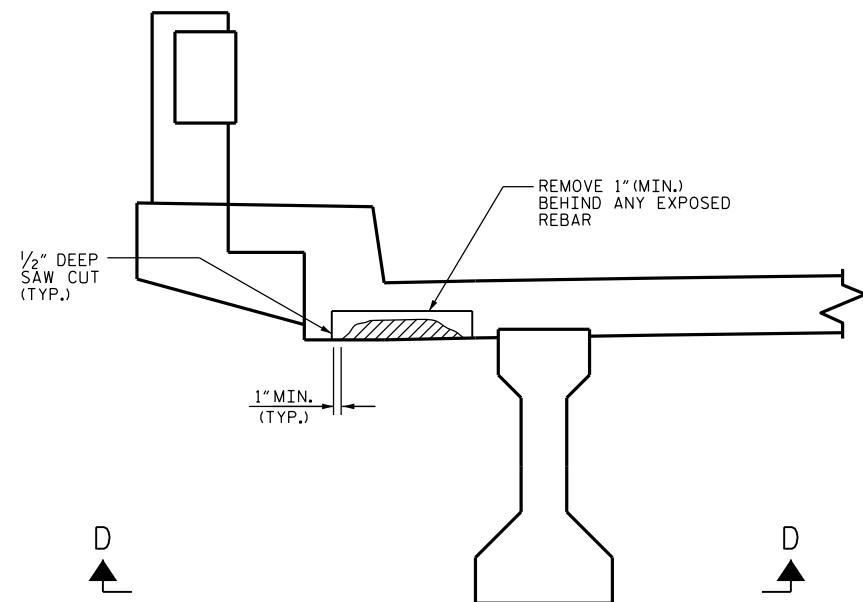
CONTRACTOR SHALL SAW CUT TO A NOMINAL DEPTH OF 1/2" BUT REINFORCING STEEL AND PRESTRESSED TENDONS SHALL NOT BE DAMAGED.

CONTRACTOR SHALL SAW CUT THE REPAIR AREAS SO THAT THE CORNERS ARE SQUARE AS INDICATED ON THE DETAILS.

CONCRETE REPAIRS MAY BE SUBSTITUTED IN LIEU OF SHOTCRETE REPAIRS WITH THE APPROVAL OF THE ENGINEER.

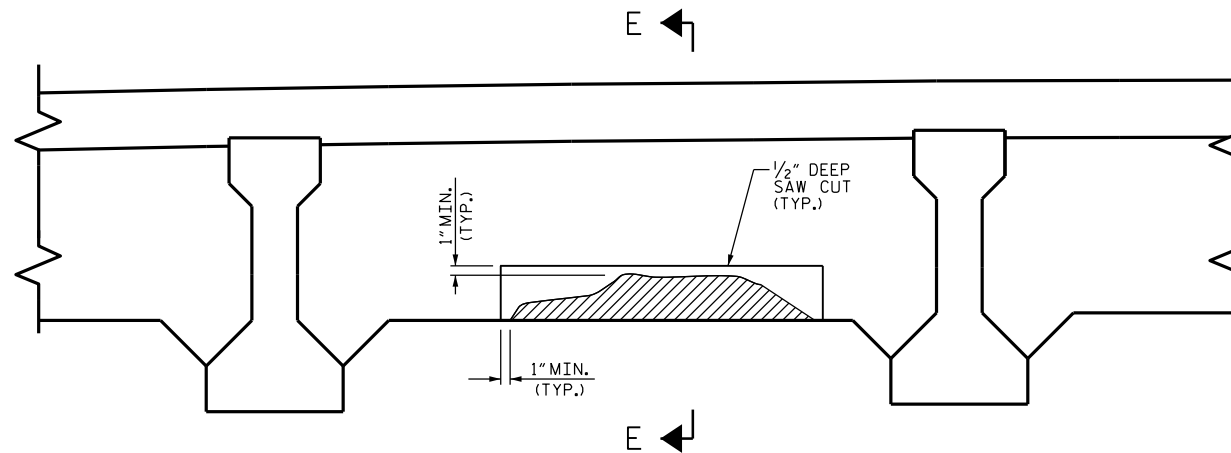
FOR SHOTCRETE REPAIRS, SEE SPECIAL PROVISIONS.

 DAMAGED AREA



TYPICAL SECTION

OVERHANG DETAILS



TYPICAL SECTION

INTERIOR DIAPHRAGM REPAIR DETAILS

PROJECT NO. B-5936
TYRRELL COUNTY
 BRIDGE NO. 7

SHEET 2 OF 2



DocuSigned by:
Robbie Weisz
 CEA153463B6D43D...

8/11/2016

| | | | | | | | |
|--|-----|-------|-----|-----|-------|---------------------|--|
| STATE OF NORTH CAROLINA DEPARTMENT OF TRANSPORTATION RALEIGH | | | | | | SHEET NO. S-382 | |
| TYPICAL OVERHANG & DIAPHRAGM REPAIR DETAILS | | | | | | TOTAL SHEETS 394 | |
| REVISIONS | | | | | | | |
| NO. | BY: | DATE: | NO. | BY: | DATE: | | |
| 1 | | | 3 | | | | |
| 2 | | | 4 | | | | |

DOCUMENT NOT CONSIDERED
 FINAL UNLESS ALL
 SIGNATURES COMPLETED

DRAWN BY : S. T. SANDOR DATE : 06/2016
 CHECKED BY : R. N. WEISZ DATE : 06/2016