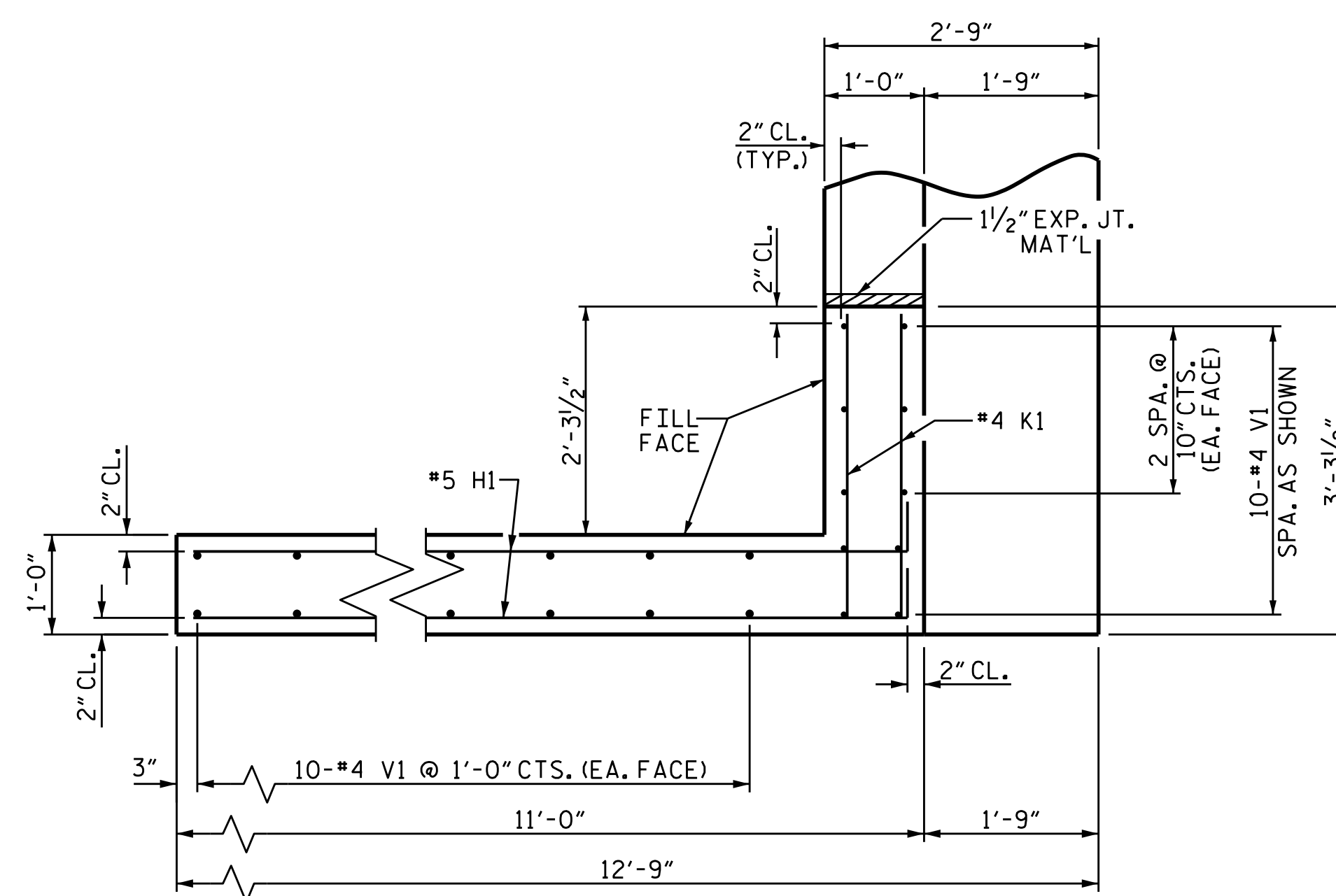
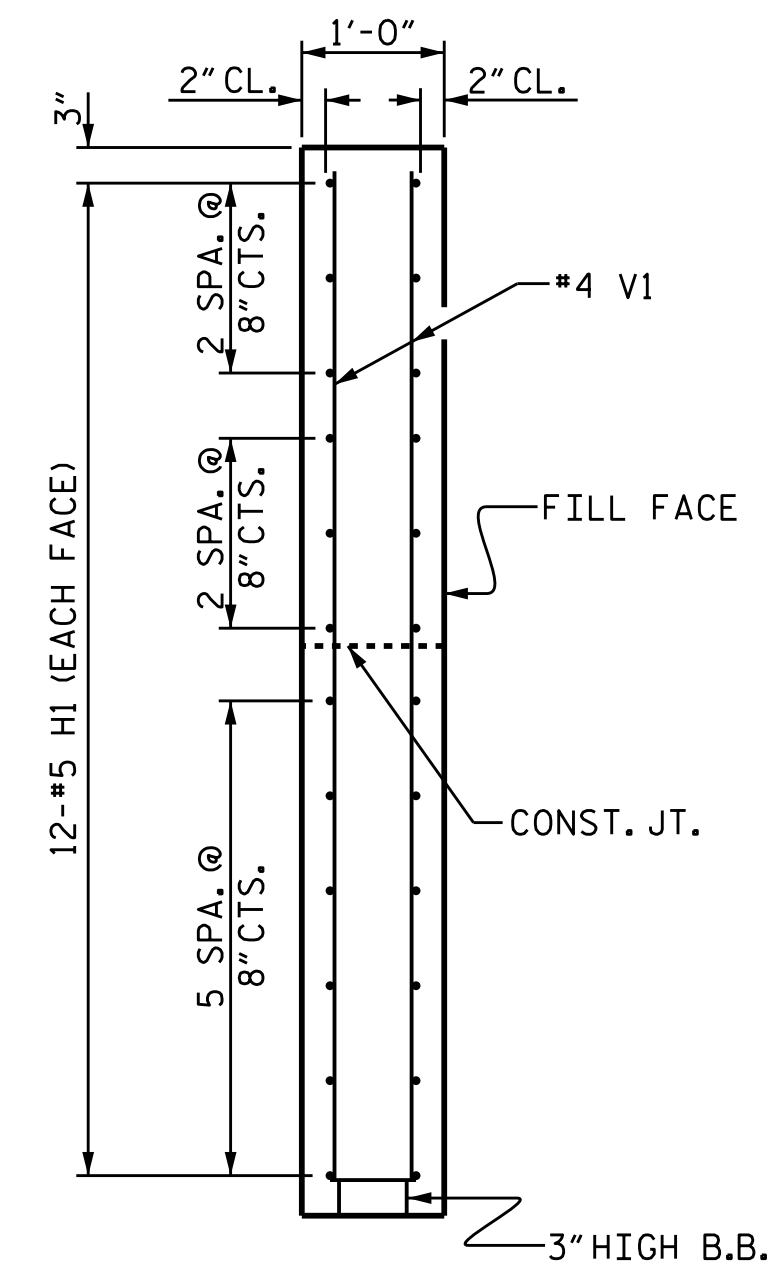


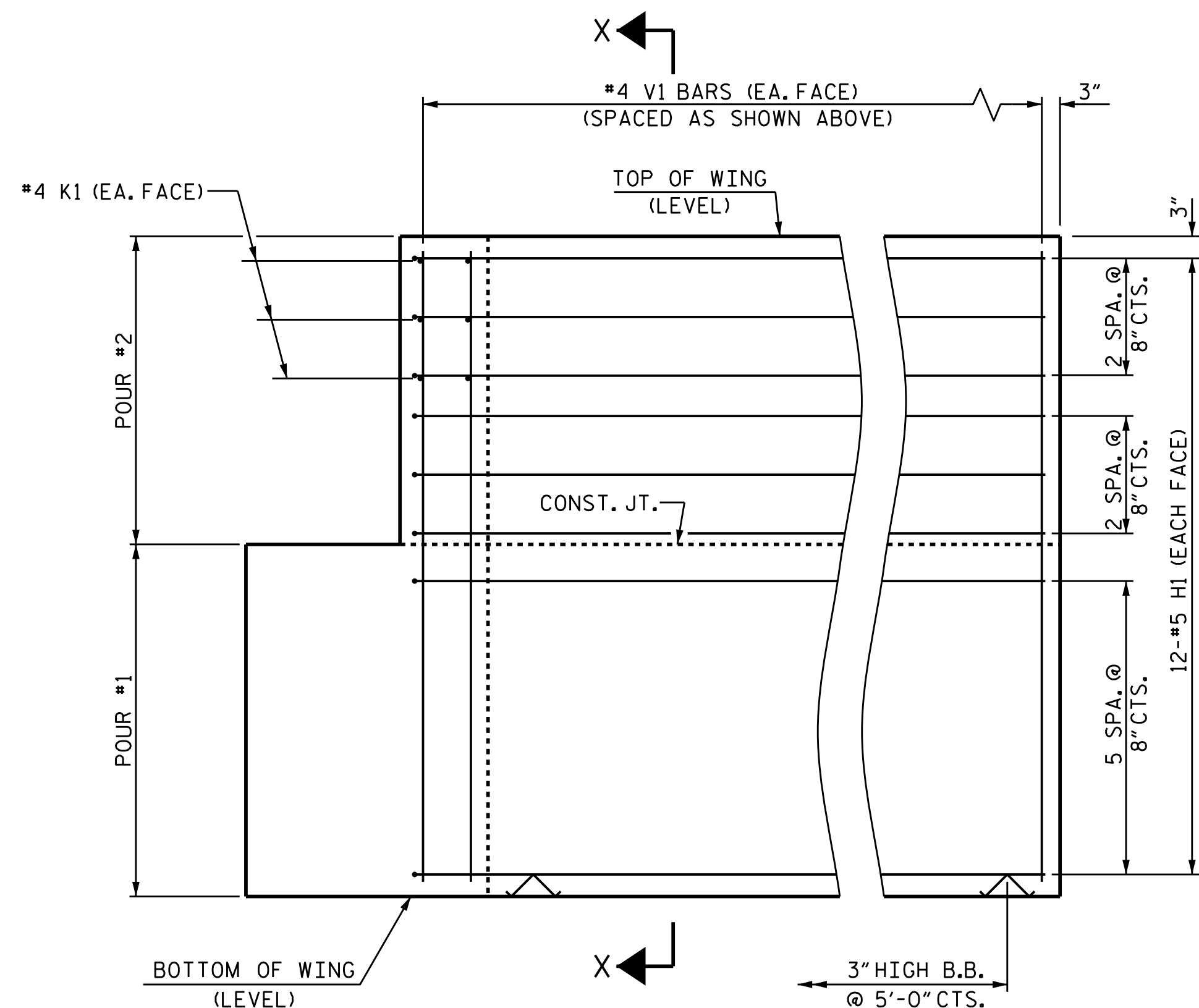
PLAN OF WING (W1)



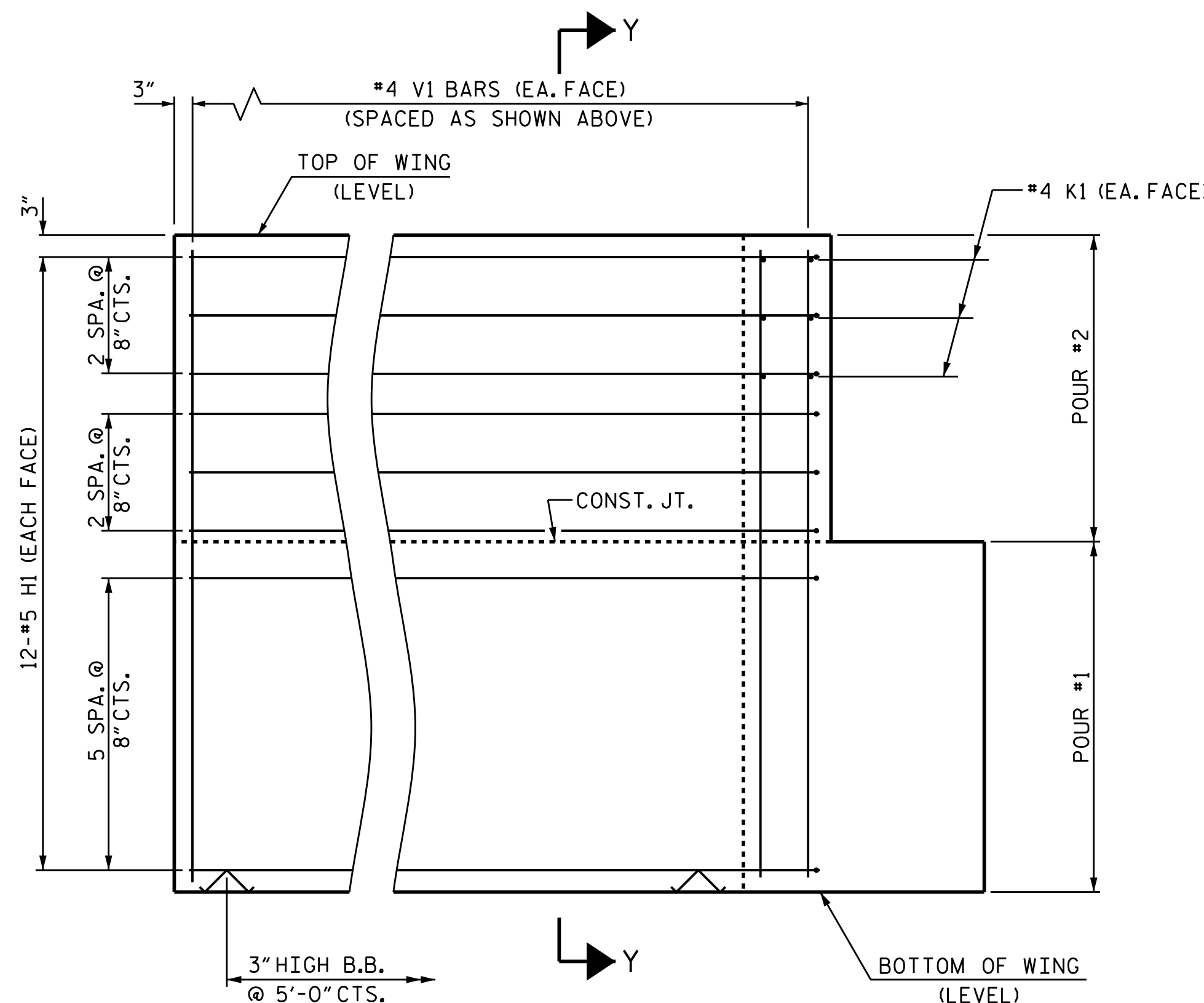
PLAN OF WING (W2)



SECTION X-X

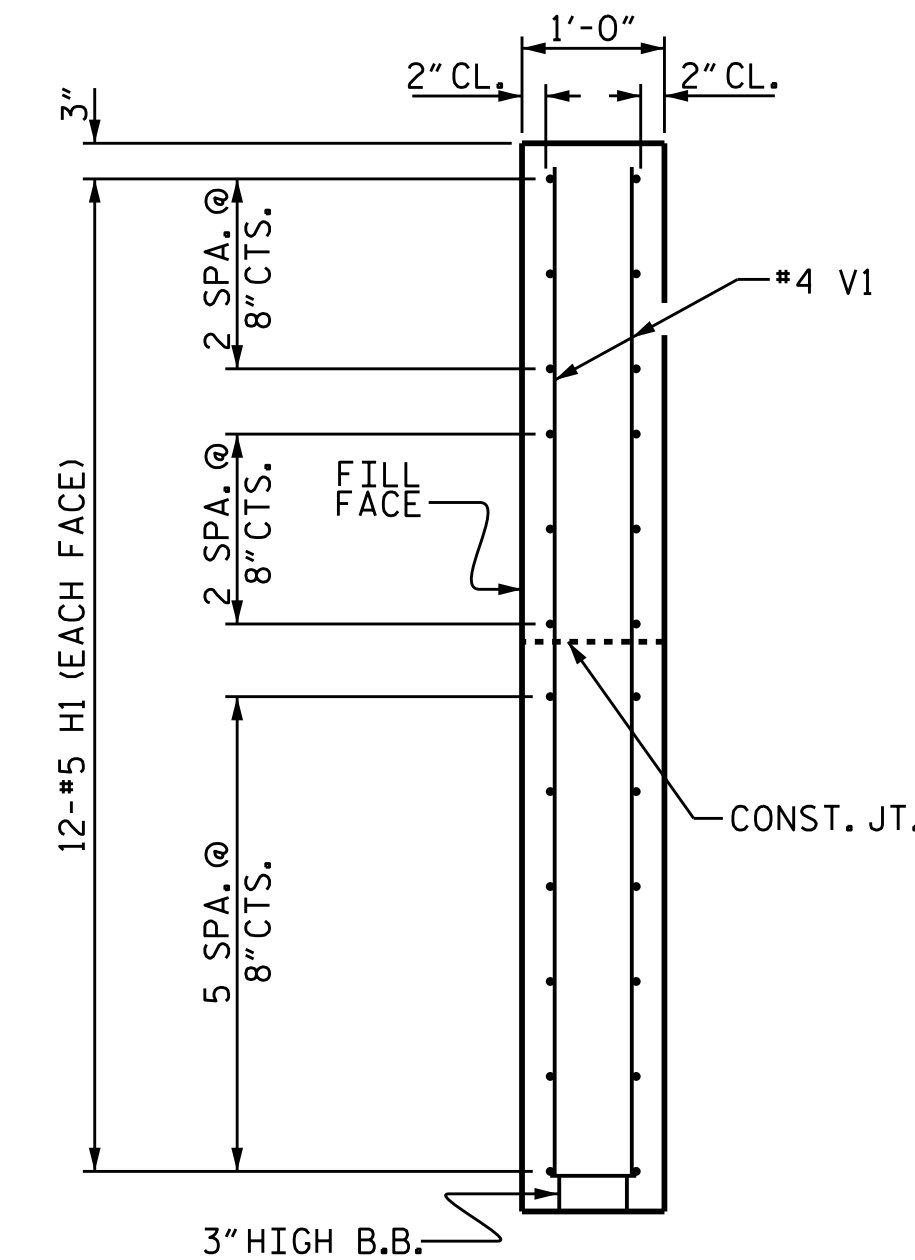


ELEVATION OF WING (W1)



ELEVATION OF WING (W2)

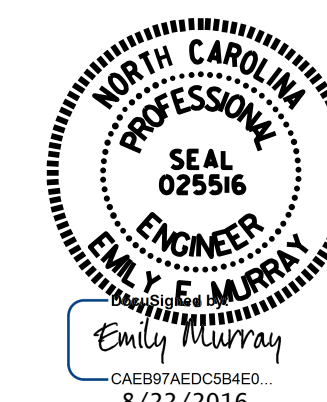
WING DETAILS



SECTION Y-Y

PROJECT NO. B-5546
 RANDOLPH COUNTY
 STATION: 13+56.00-L-

SHEET 3 OF 4



STATE OF NORTH CAROLINA
 DEPARTMENT OF TRANSPORTATION
 RALEIGH

SUBSTRUCTURE
 END BENT
 WING DETAILS

ASSEMBLED BY : D.A. DAVENPORT DATE : 09/22/14
 CHECKED BY : J.K. BOWLES DATE : 01/20/15
 DRAWN BY : WJH 12/11 REV. 8/14 MAA/TMG
 CHECKED BY : AAC 12/11

DOCUMENT NOT CONSIDERED
 FINAL UNLESS ALL
 SIGNATURES COMPLETED

REVISIONS						SHEET NO.
NO.	BY:	DATE:	NO.	BY:	DATE:	S-35
1			3			TOTAL SHEETS
2			4			38