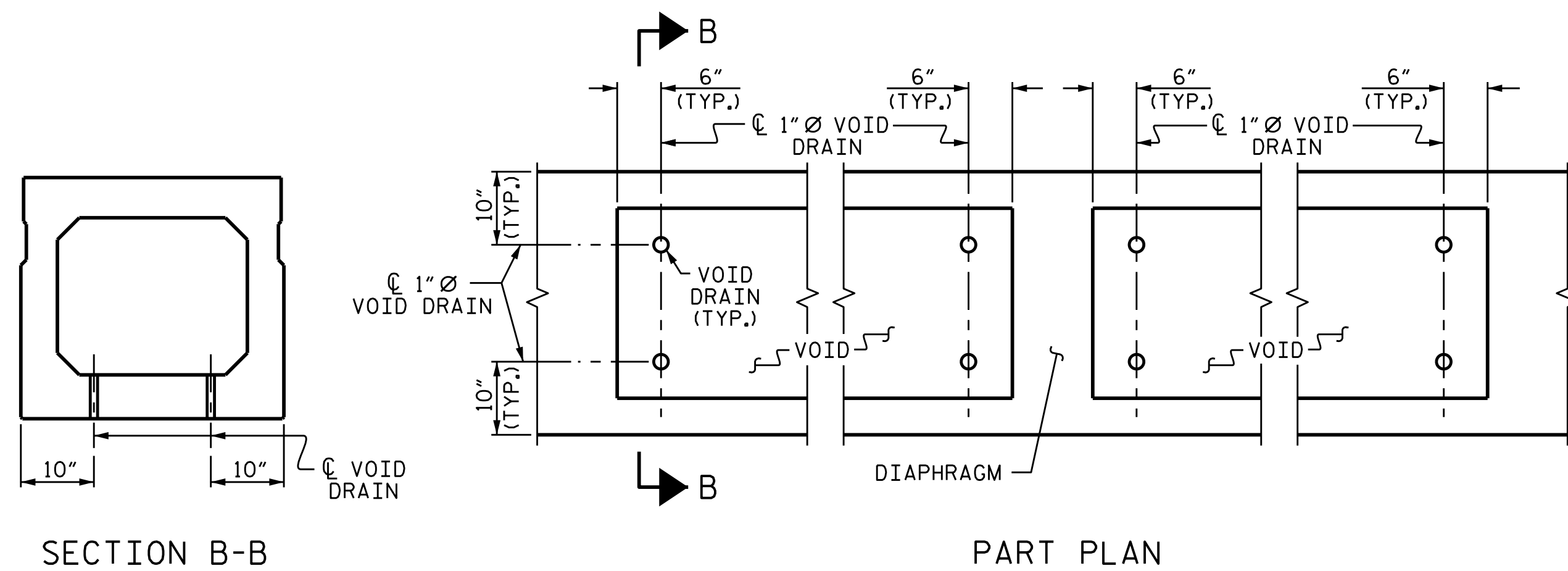


DOUBLE DIAPHRAGM DETAILS

*4 "S" BARS NOT SHOWN. *4 "S" BARS MAY BE SHIFTED SLIGHTLY TO CLEAR 2 1/2" Ø HOLE.

GRouted RECESS DETAIL AT END OF POST-TENSIONED STRANDS OF EXTERIOR BOX BEAM



VOID DRAIN DETAILS

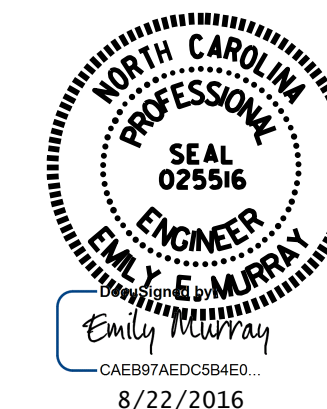
(DIMENSIONS SHOWN ARE TYPICAL FOR EACH VOID)

DEAD LOAD DEFLECTION AND CAMBER	
	3'-0" x 2'-9"
75' BOX BEAM UNIT	0.6" Ø L.R. STRAND
CAMBER (SLAB ALONE IN PLACE)	1 3/4" ↑
DEFLECTION DUE TO SUPERIMPOSED DEAD LOAD**	1/2" ↓
FINAL CAMBER	1 1/4" ↑

** INCLUDES FUTURE WEARING SURFACE

PROJECT NO. B-5546
RANDOLPH COUNTY
 STATION: 13+56.00-L-

SHEET 4 OF 5



STATE OF NORTH CAROLINA
 DEPARTMENT OF TRANSPORTATION
 RALEIGH
 STANDARD
 3'-0" X 2'-9"
 PRESTRESSED CONCRETE
 BOX BEAM UNIT

ASSEMBLED BY : D.A. DAVENPORT DATE :10/08/14
 CHECKED BY : J.K. BOWLES DATE :01/14/15
 DRAWN BY : DGE 10/11 REV. 8/14 MAA/TMG
 CHECKED BY : TMG 11/11

DOCUMENT NOT CONSIDERED
 FINAL UNLESS ALL
 SIGNATURES COMPLETED

REVISIONS						SHEET NO.
NO.	BY:	DATE:	NO.	BY:	DATE:	S-30
1			3			TOTAL SHEETS
2			4			38