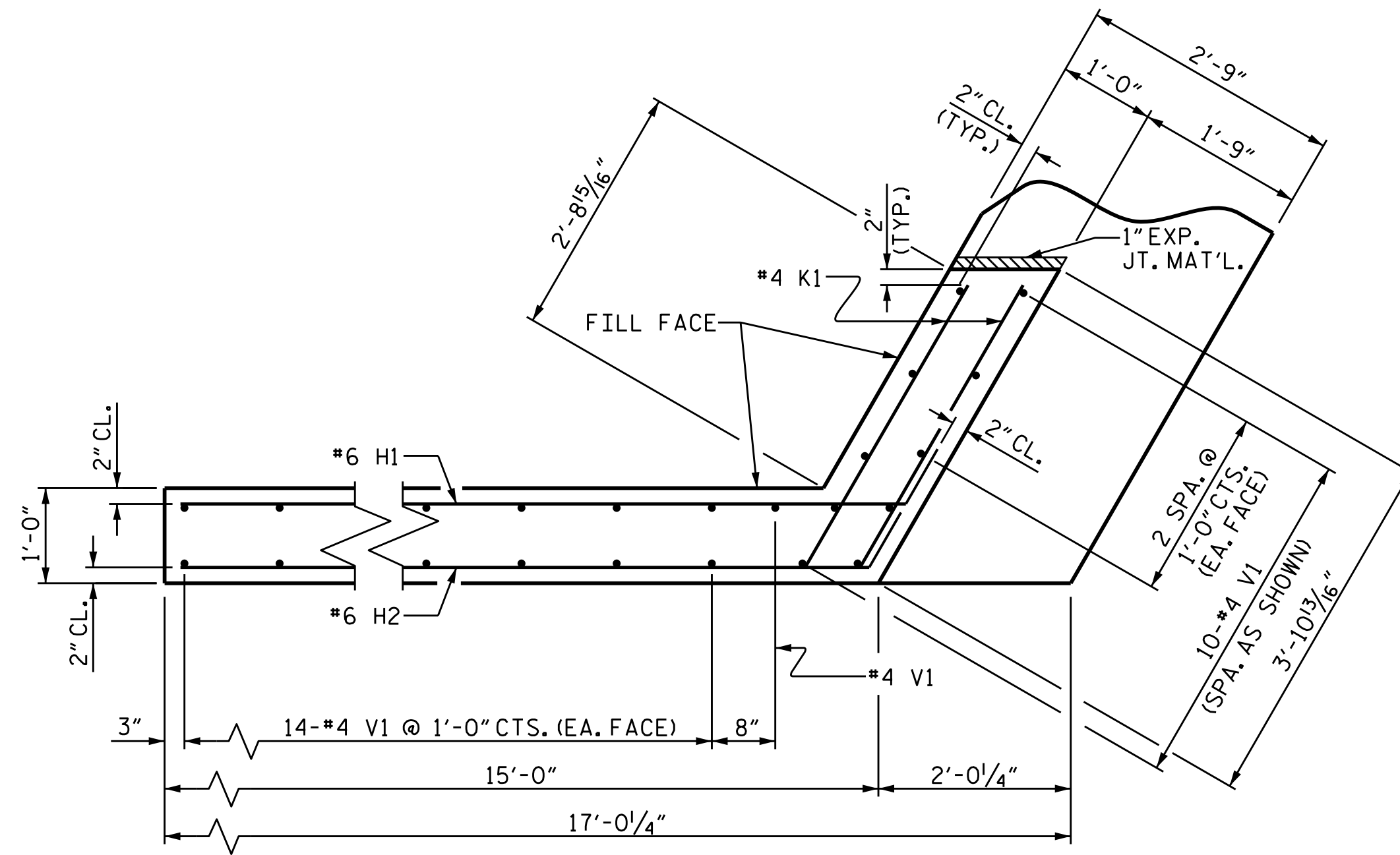
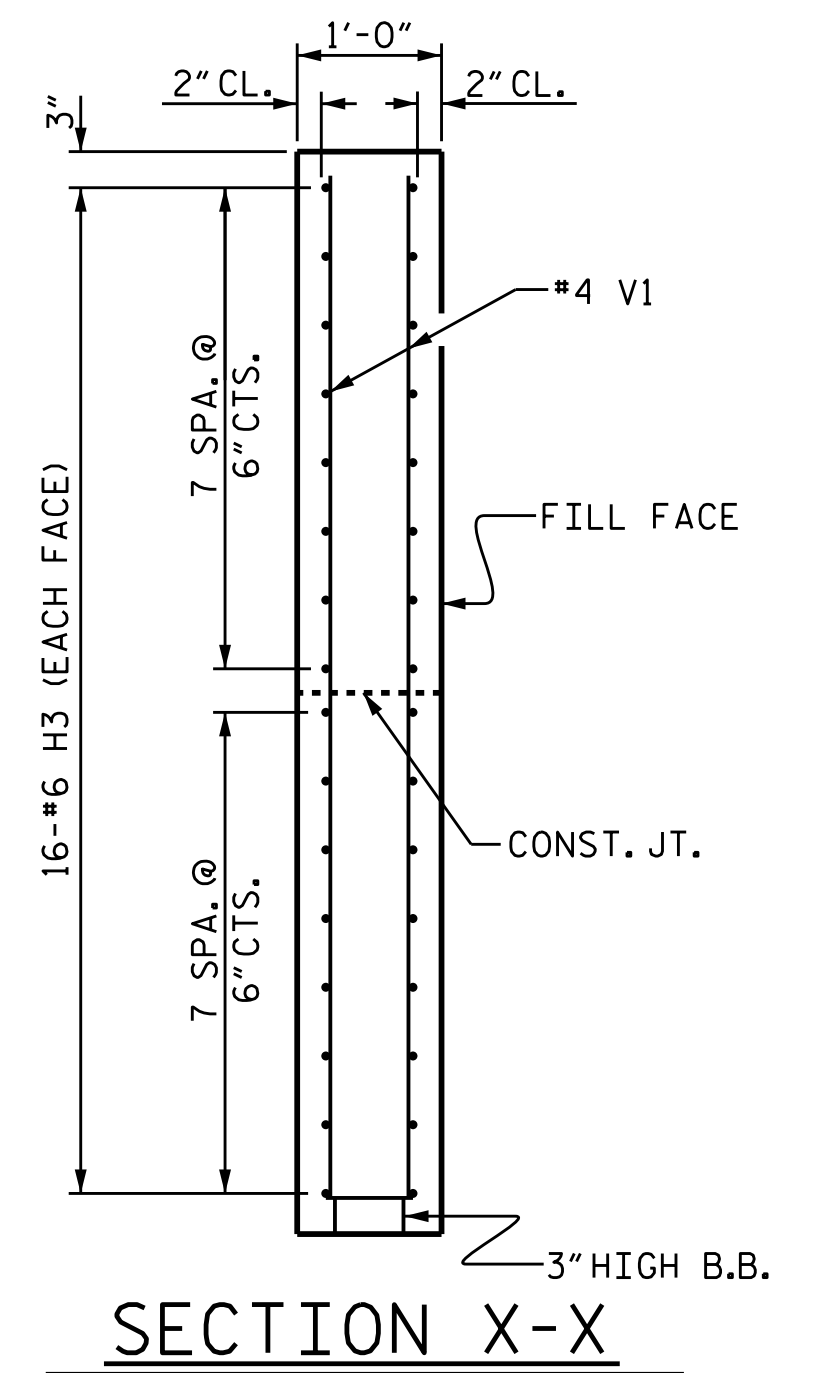


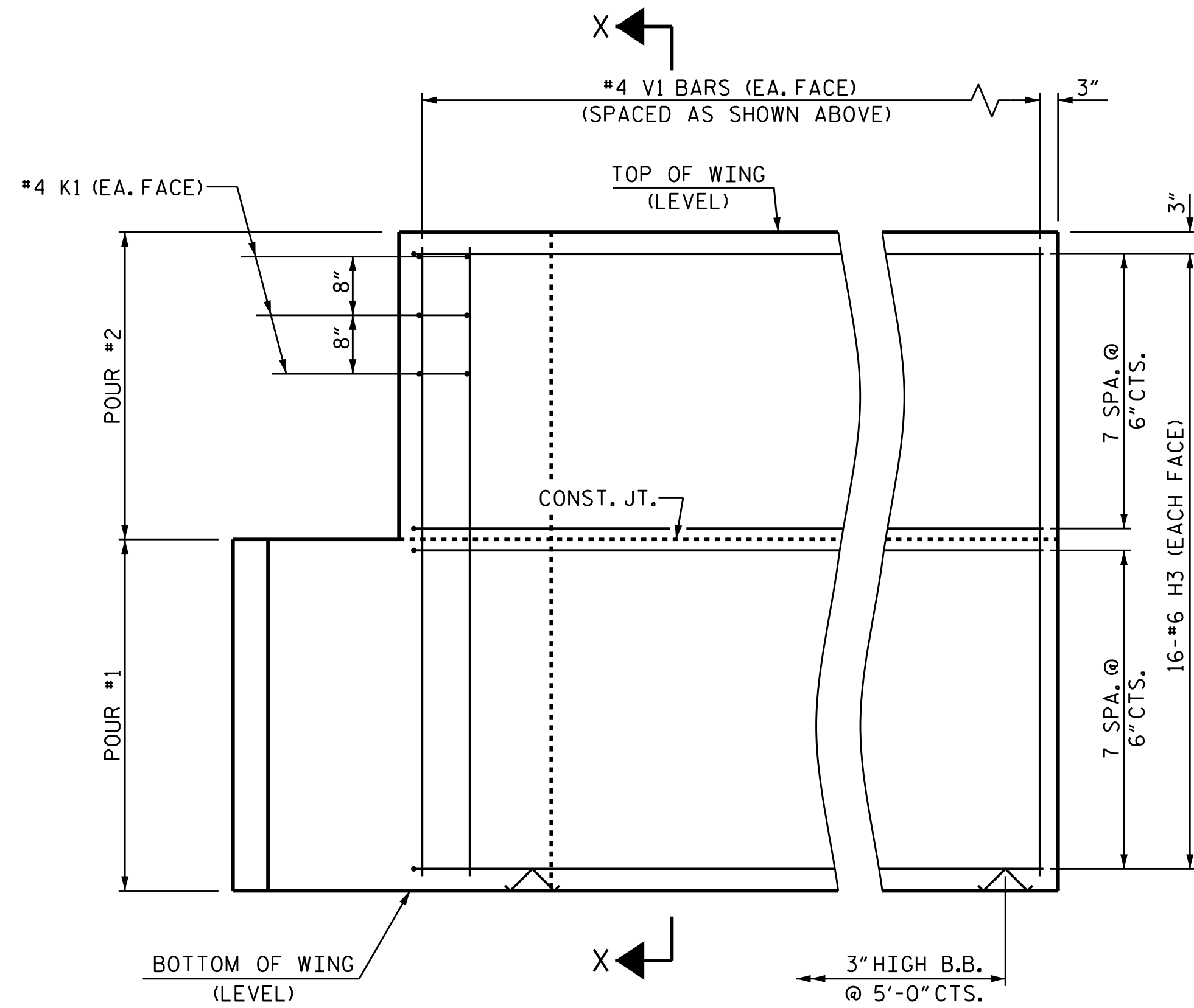
PLAN OF WING (W1)



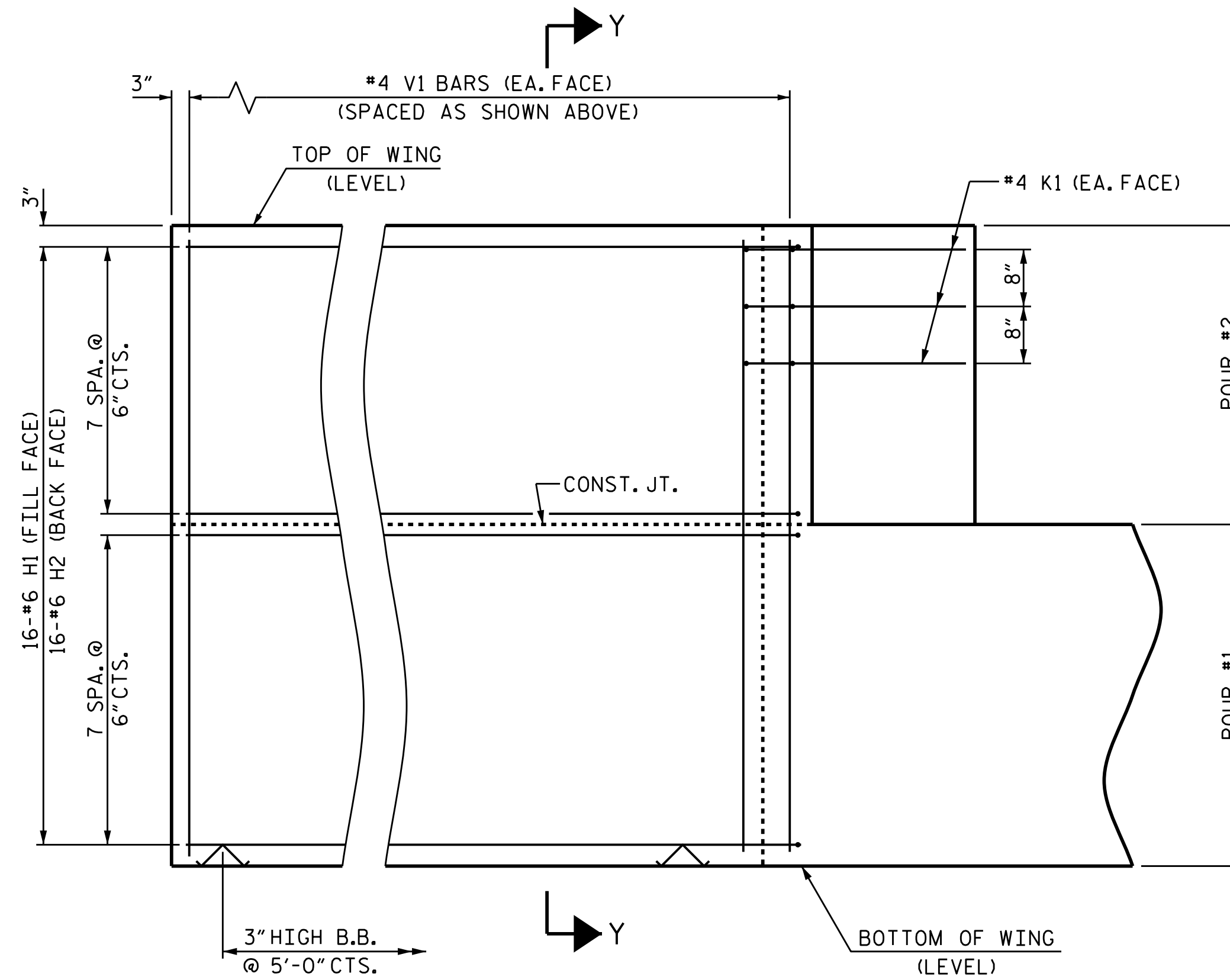
PLAN OF WING (W2)



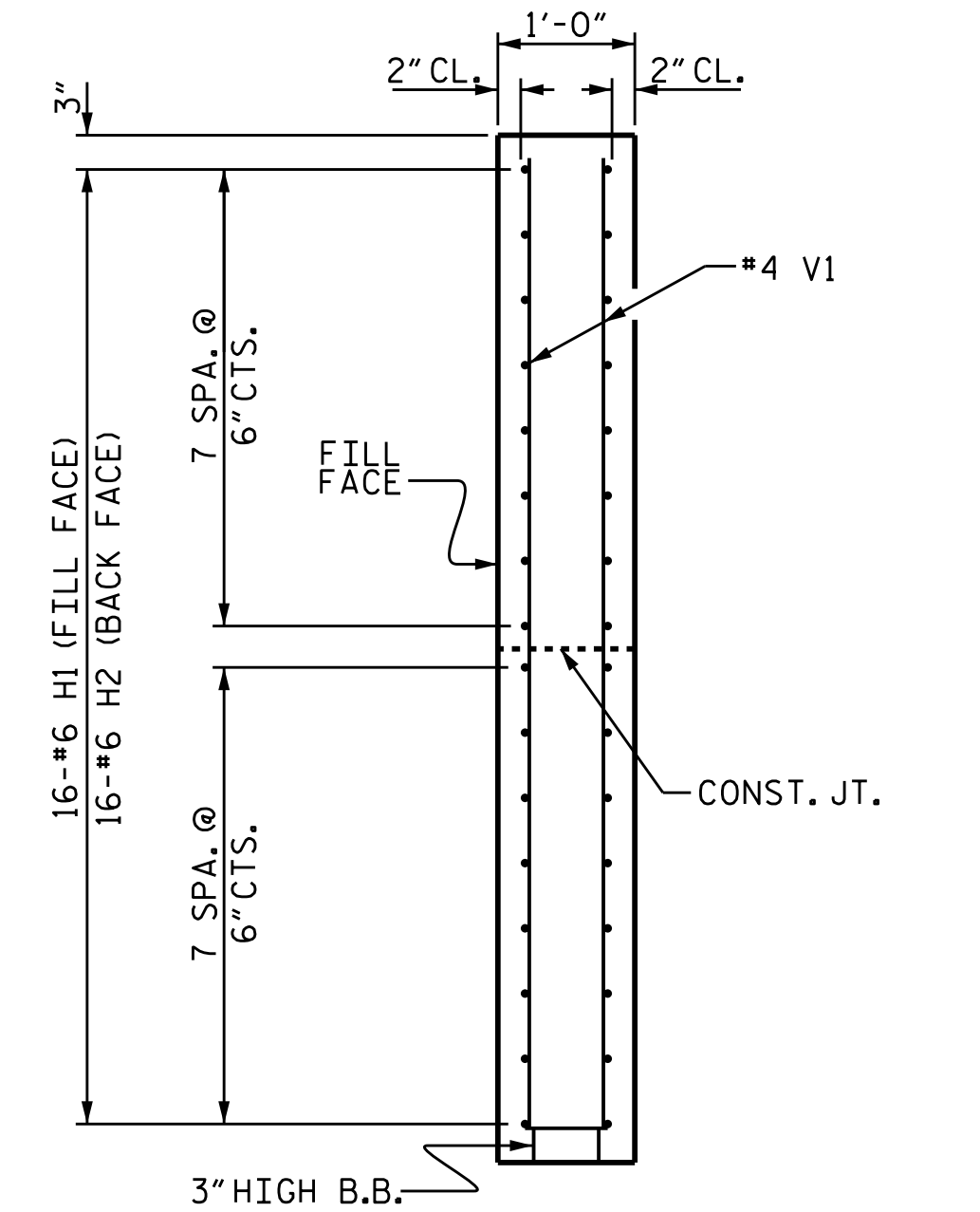
SECTION X-X



ELEVATION OF WING (W1)



ELEVATION OF WING (W2)

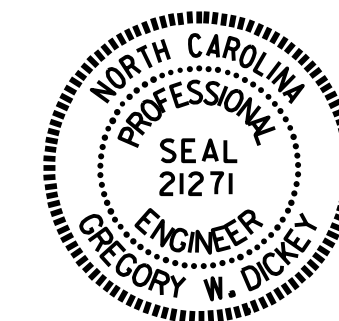


SECTION Y-Y

WING DETAILS

PROJECT NO. B-5360  
 RANDOLPH COUNTY  
 STATION: 23+68.00 -L-

SHEET 3 OF 4



STATE OF NORTH CAROLINA  
 DEPARTMENT OF TRANSPORTATION  
 RALEIGH

SUBSTRUCTURE  
 END BENT  
 WING DETAILS

ASSEMBLED BY : A. K. PATEL	DATE : 11/24/15
CHECKED BY : W. F. PARKER	DATE : 3/16
DRAWN BY : WJH 12/11	REV. 4/15
CHECKED BY : AAC 12/11	MAA/TMG

DOCUMENT NOT CONSIDERED  
 FINAL UNLESS ALL  
 SIGNATURES COMPLETED

REVISIONS						SHEET NO.
NO.	BY:	DATE:	NO.	BY:	DATE:	S-15
1			3			TOTAL SHEETS
2			4			38