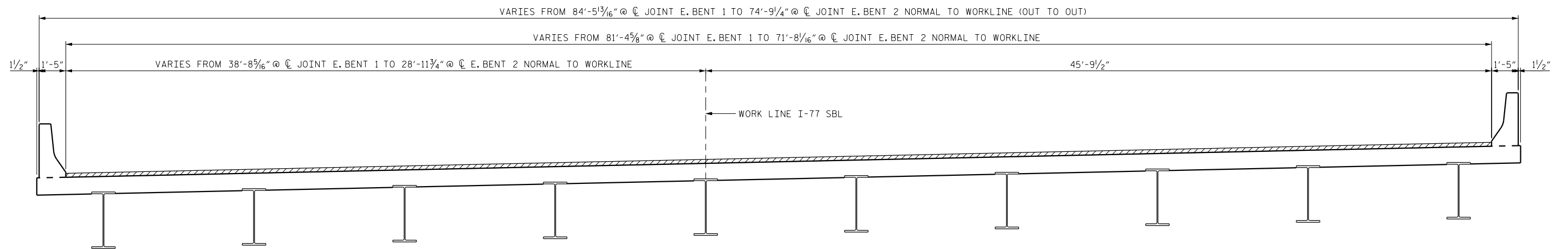
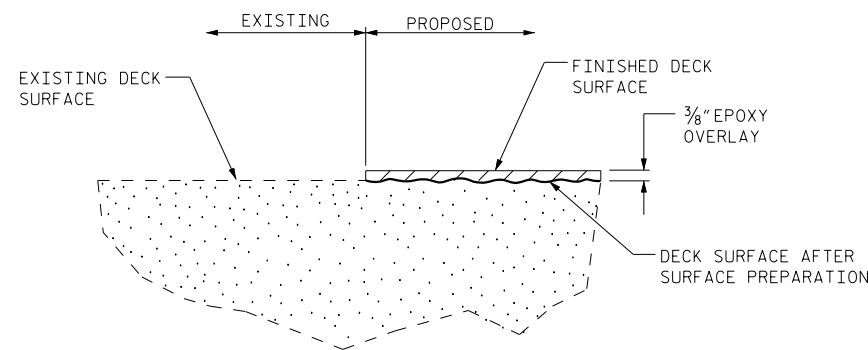


TYPICAL SECTION
(EXISTING)

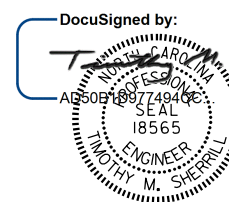


TYPICAL SECTION
(PROPOSED)



DETAIL OF EPOXY OVERLAY

PROJECT NO. I-5768
MECKLENBURG COUNTY
 BRIDGE NO. 116



STATE OF NORTH CAROLINA
 DEPARTMENT OF TRANSPORTATION
 RALEIGH

SUPERSTRUCTURE
 TYPICAL SECTION
 & EPOXY CONCRETE
 DETAILS

8/12/2016

DOCUMENT NOT CONSIDERED
 FINAL UNLESS ALL
 SIGNATURES COMPLETED

| REVISIONS | | | | | | SHEET NO. |
|-----------|-----|-------|-----|-----|-------|--------------|
| NO. | BY: | DATE: | NO. | BY: | DATE: | S-15 |
| 1 | | | 3 | | | TOTAL SHEETS |
| 2 | | | 4 | | | 21 |

DRAWN BY : D.V. JOYNER DATE : 6/2016
 CHECKED BY : W. SMITH DATE : 8/2016