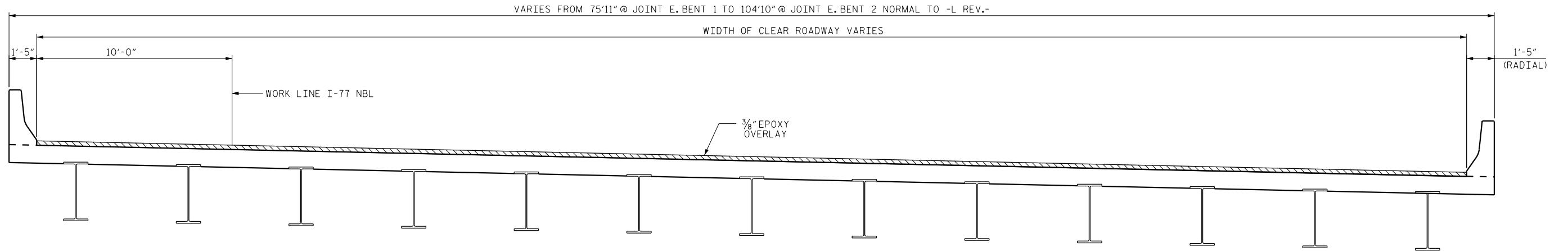
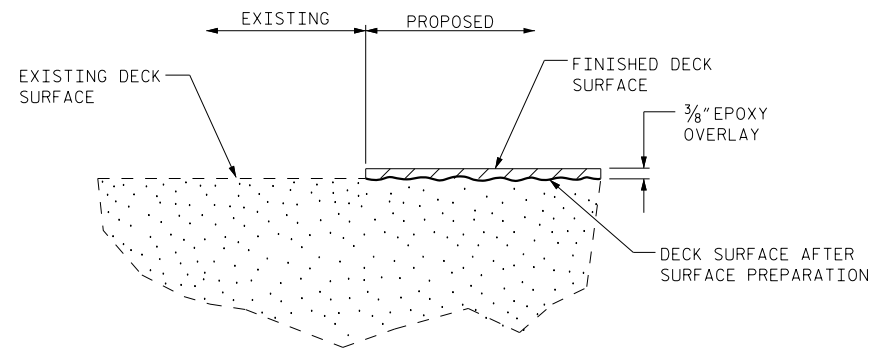


TYPICAL SECTION
(EXISTING)

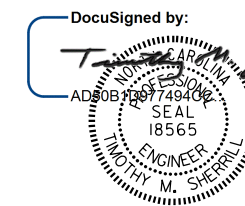


TYPICAL SECTION
(PROPOSED)



DETAIL OF EPOXY OVERLAY

PROJECT NO. I-5768
MECKLENBURG COUNTY
 BRIDGE NO. 70



8/12/2016

STATE OF NORTH CAROLINA DEPARTMENT OF TRANSPORTATION RALEIGH						SHEET NO.
SUPERSTRUCTURE TYPICAL SECTION & EPOXY CONCRETE DETAILS						S-8
REVISIONS						TOTAL SHEETS
NO.	BY:	DATE:	NO.	BY:	DATE:	21
1			3			
2			4			

DRAWN BY : D.V. JOYNER DATE : 6/2016
 CHECKED BY : W. SMITH DATE : 8/2016

DOCUMENT NOT CONSIDERED
FINAL UNLESS ALL
SIGNATURES COMPLETED