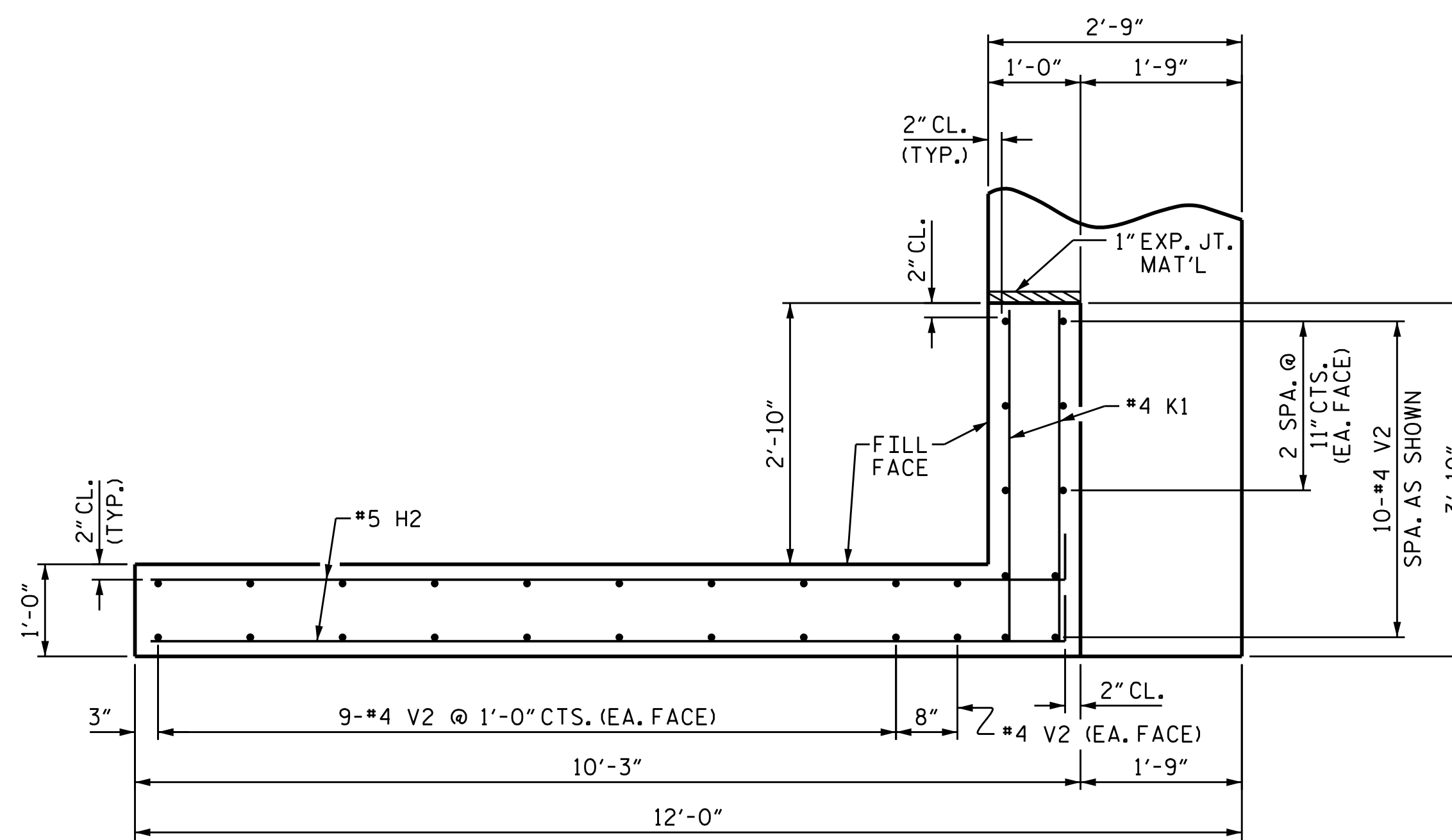
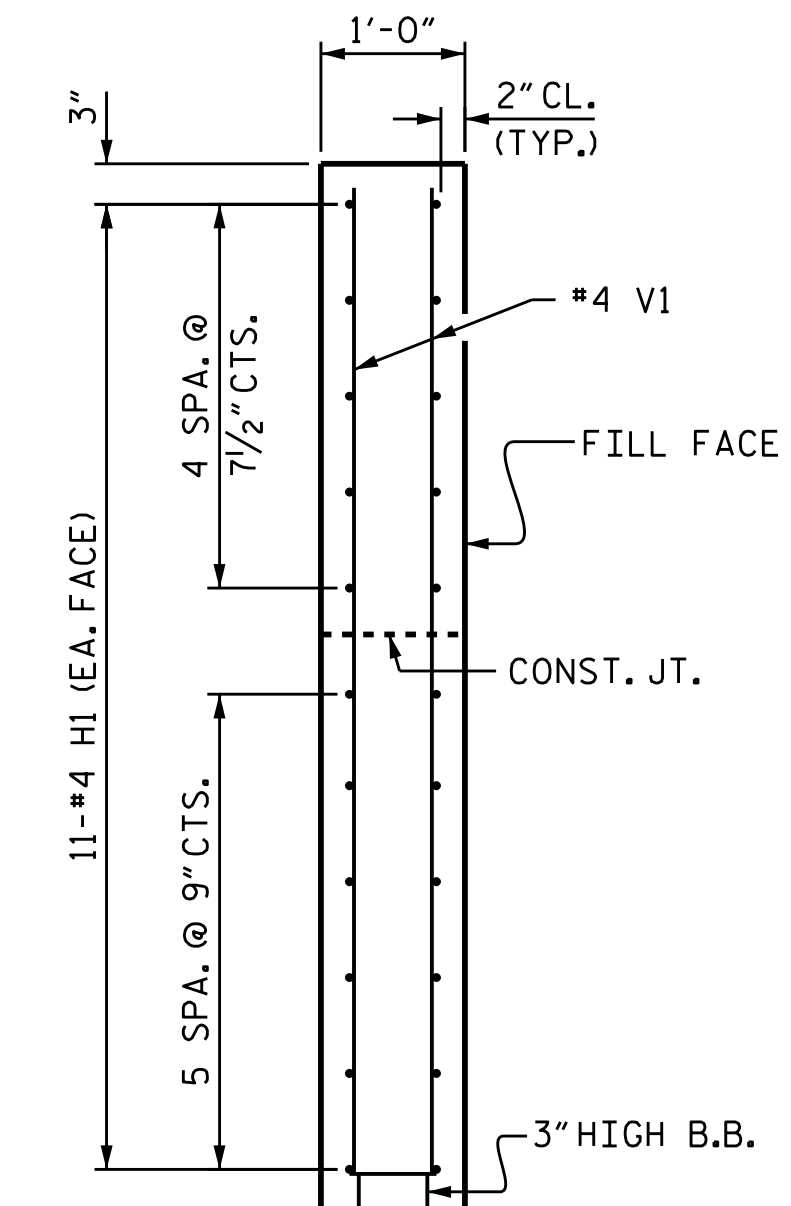


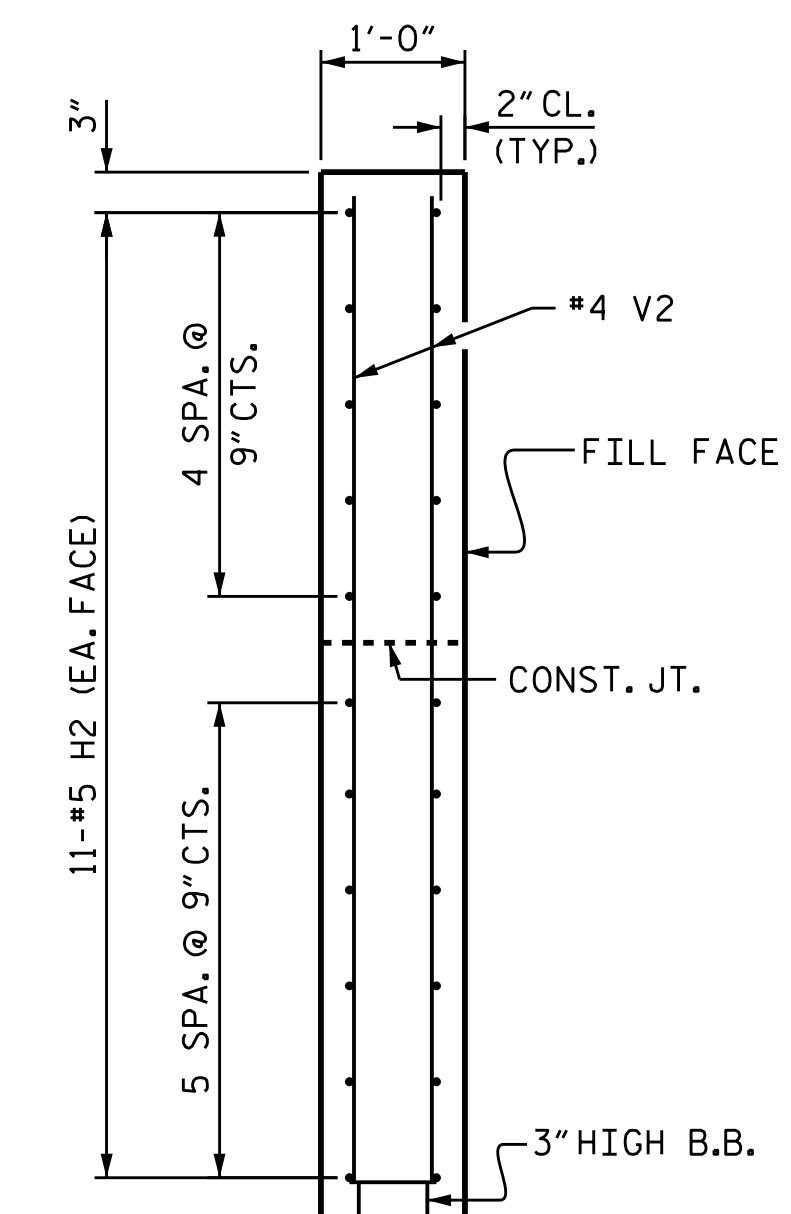
PLAN OF WING (W1)



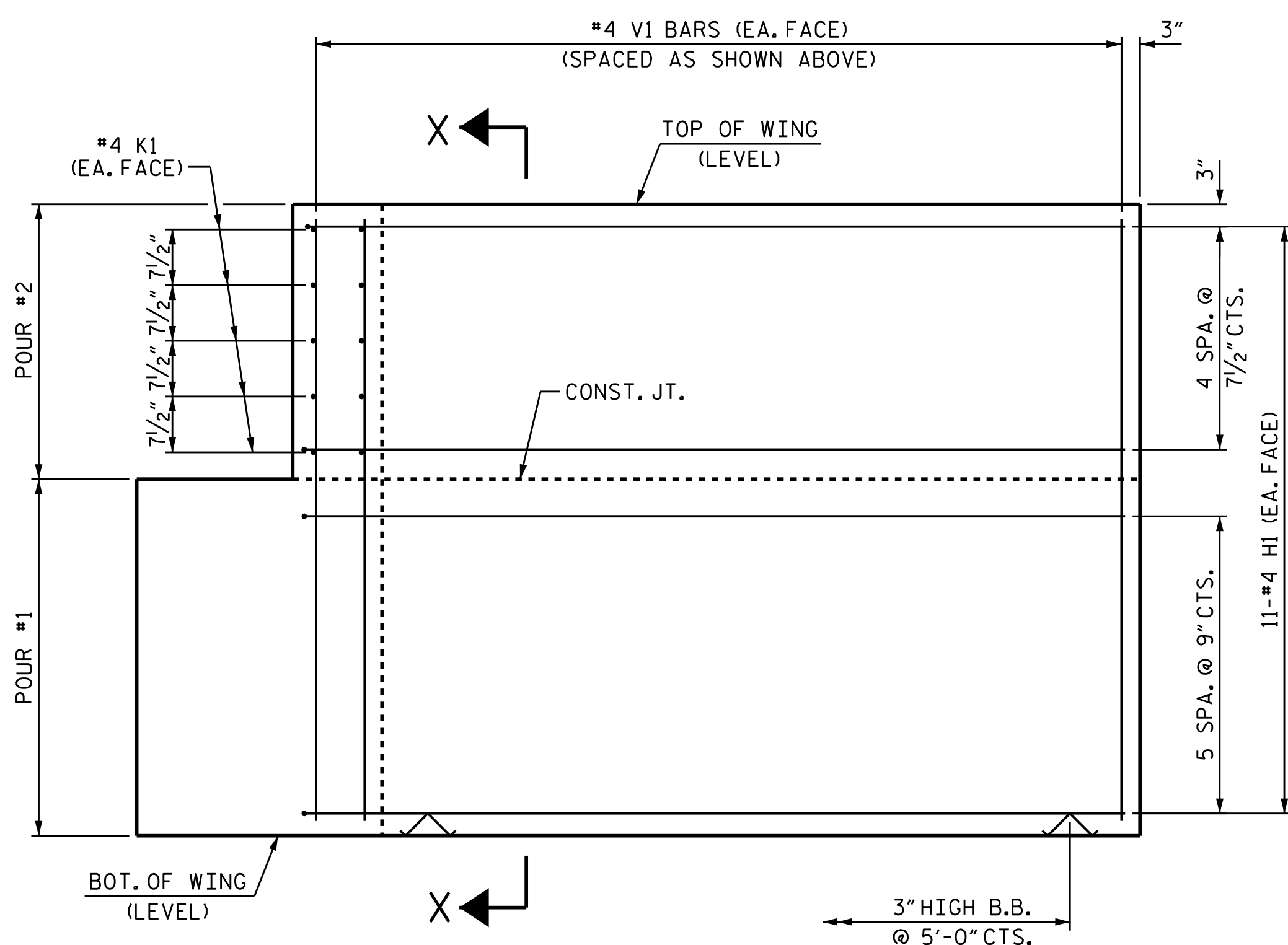
PLAN OF WING (W2)



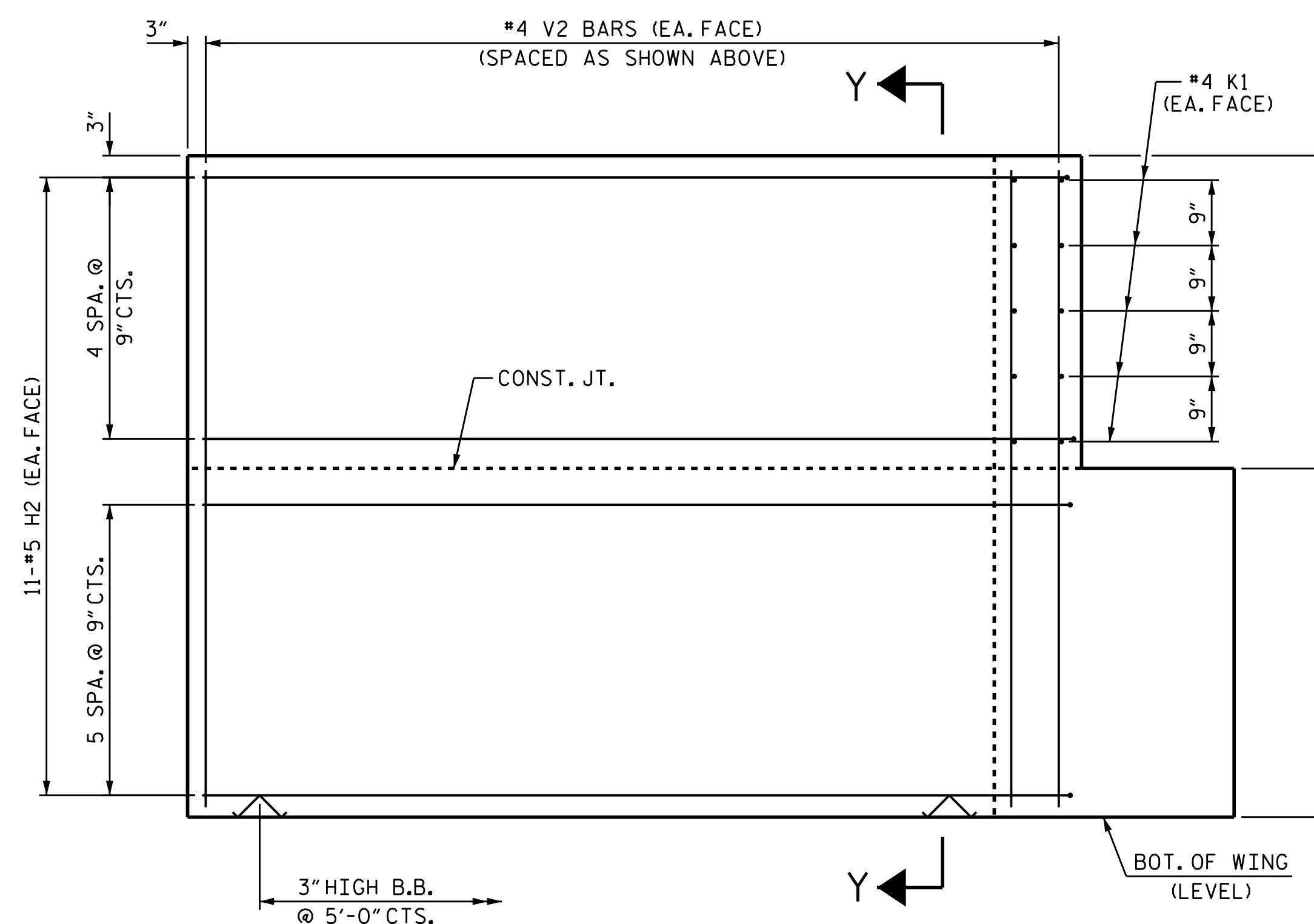
SECTION X-X



SECTION Y-Y



ELEVATION OF WING (W1)

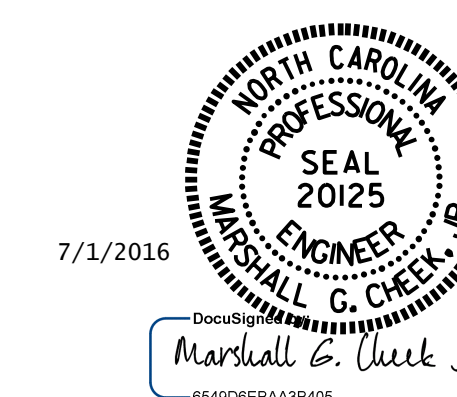


ELEVATION OF WING (W2)

WING DETAILS

PROJECT NO. B-5125
 MACON COUNTY
 STATION: 13+25.89 -L-

SHEET 2 OF 3



STATE OF NORTH CAROLINA
 DEPARTMENT OF TRANSPORTATION
 RALEIGH

SUBSTRUCTURE
 END BENT No. 2
 WING DETAILS

DRAWN BY : B.N. GRADY DATE : 4/16
 CHECKED BY : H. T. BARBOUR DATE : 4-18-16
 DESIGN ENGINEER OF RECORD: W.J. HARRIS DATE : 5-16

DOCUMENT NOT CONSIDERED
 FINAL UNLESS ALL
 SIGNATURES COMPLETED

REVISIONS						SHEET NO.
NO.	BY:	DATE:	NO.	BY:	DATE:	TOTAL SHEETS
1			3			S-35
2			4			43