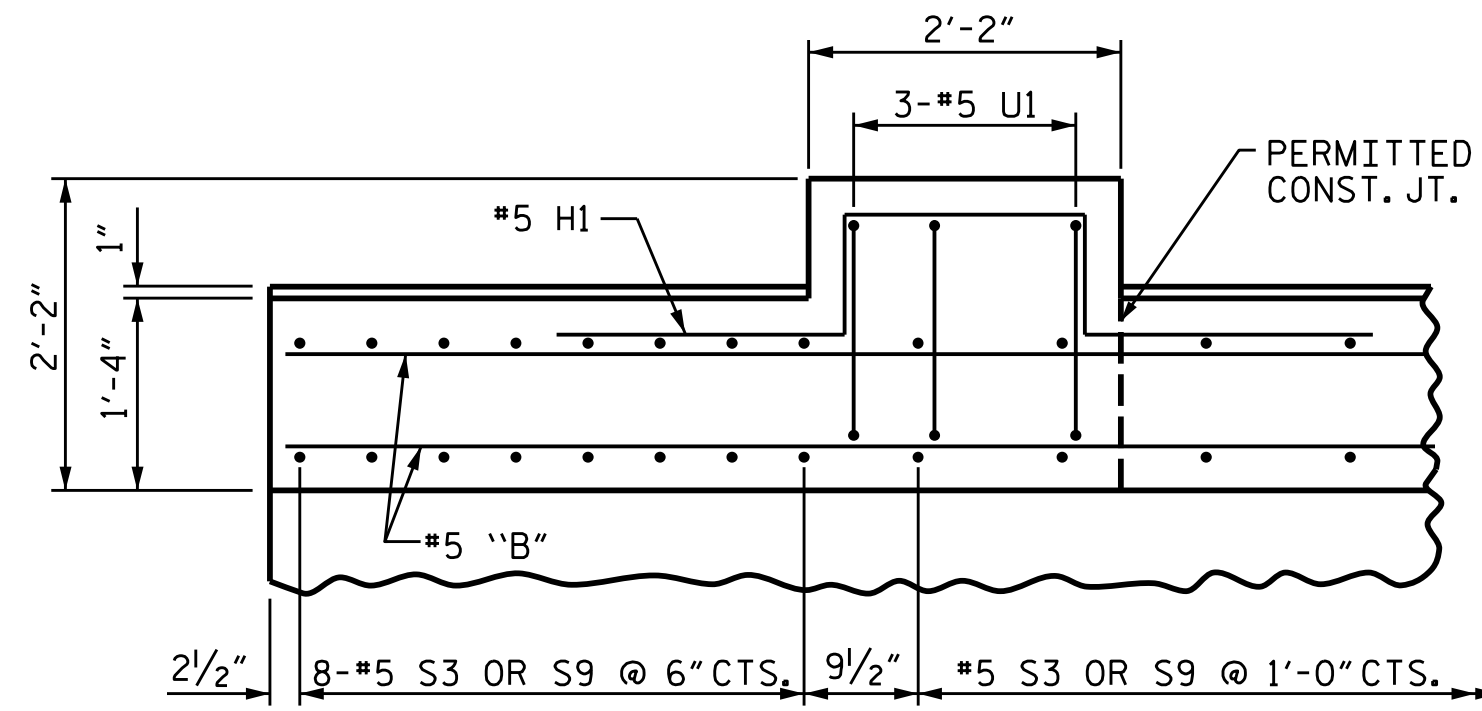
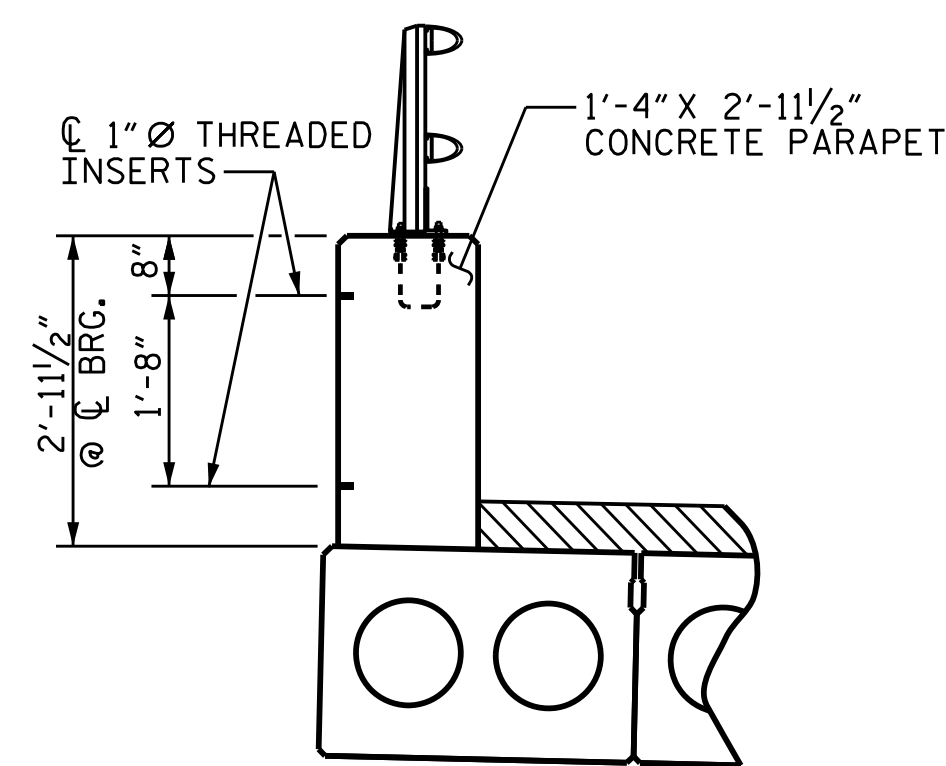


PLAN OF END POST



PLAN OF PARAPET & LAMP PEDESTAL

PARAPET AT END BENT NO. 1 SHOWN.
PARAPET AT END BENT NO. 2 SIMILAR

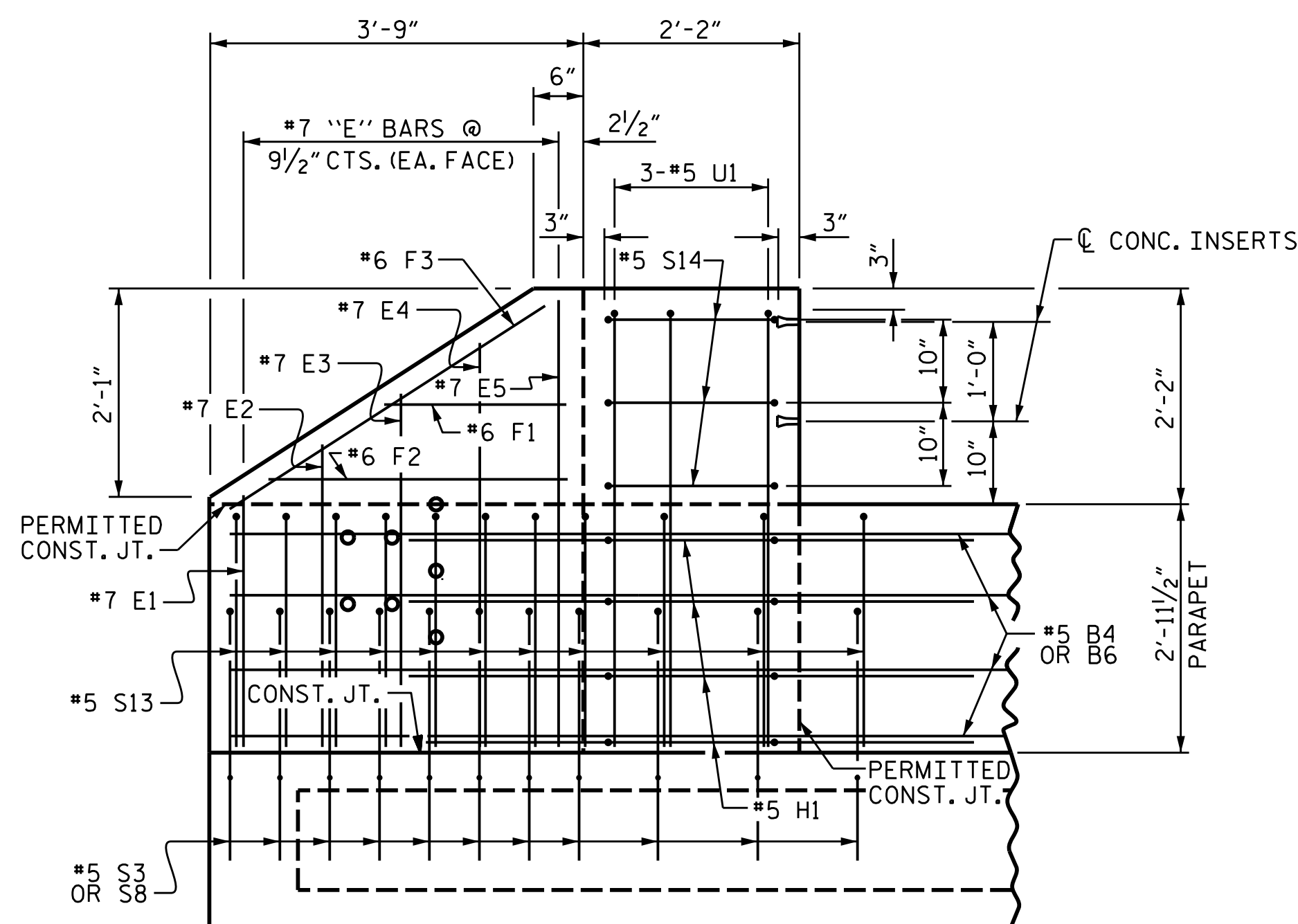


1" Ø CONCRETE INSERT DETAIL

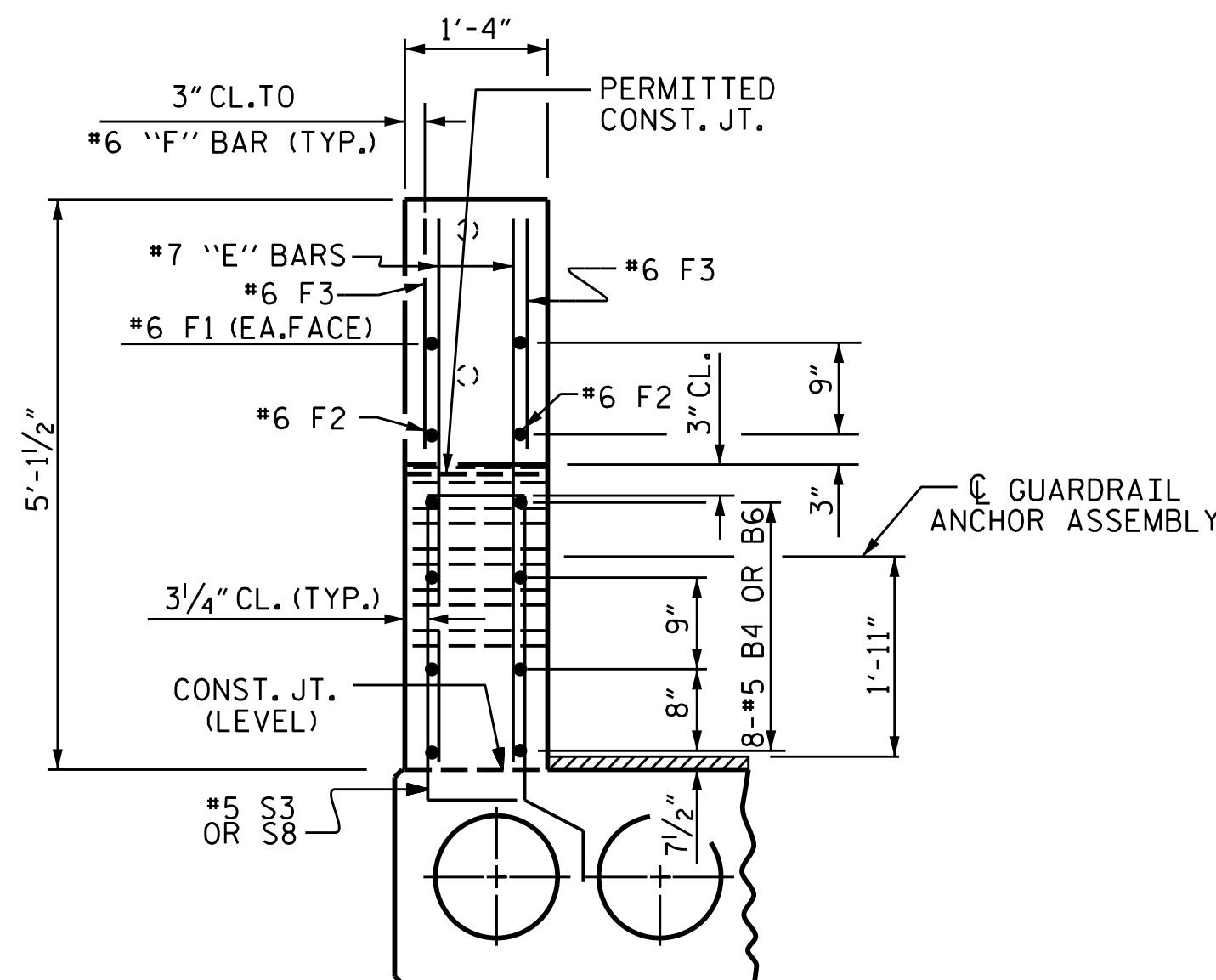
THE 1" Ø THREADED INSERTS IN THE 1'-4" X 2'-11 1/2" CONCRETE PARAPET ARE FOR FUTURE UTILITY ATTACHMENT. THE COST OF THE 1" Ø THREADED INSERTS & INSERT PLUGS SHALL BE INCLUDED IN THE PRICE BID FOR THE 1'-4" X 2'-11 1/2" CONCRETE PARAPET.

PROVIDE PLUGS FOR THE 1" Ø THREADED INSERTS THAT CLOSELY MATCH THE COLORATION OF THE SIMULATED STONE PATTERN AS DIRECTED BY THE ENGINEER.

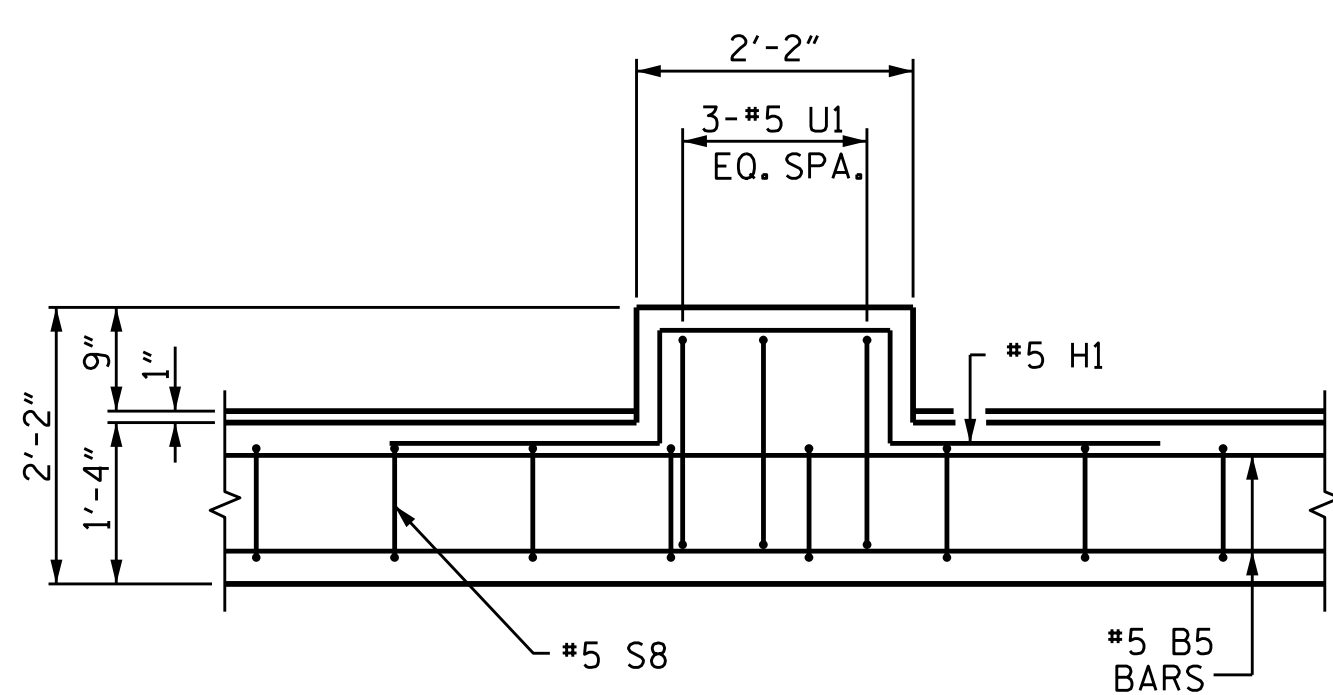
| 1" THREADED CONCRETE INSERTS (GALVANIZED) FERRULE-TYPE OR COIL-TYPE | |
|--|-----------------------------|
| APPLIED TENSION: | 3,000 LB (UNFACTORED) |
| APPLIED SHEAR: | 1,200 LB (UNFACTORED) |
| APPLIED TENSION: | 4,200 LB (ACI 318 FACTORED) |
| APPLIED SHEAR: | 1,700 LB (ACI 318 FACTORED) |



ELEVATION

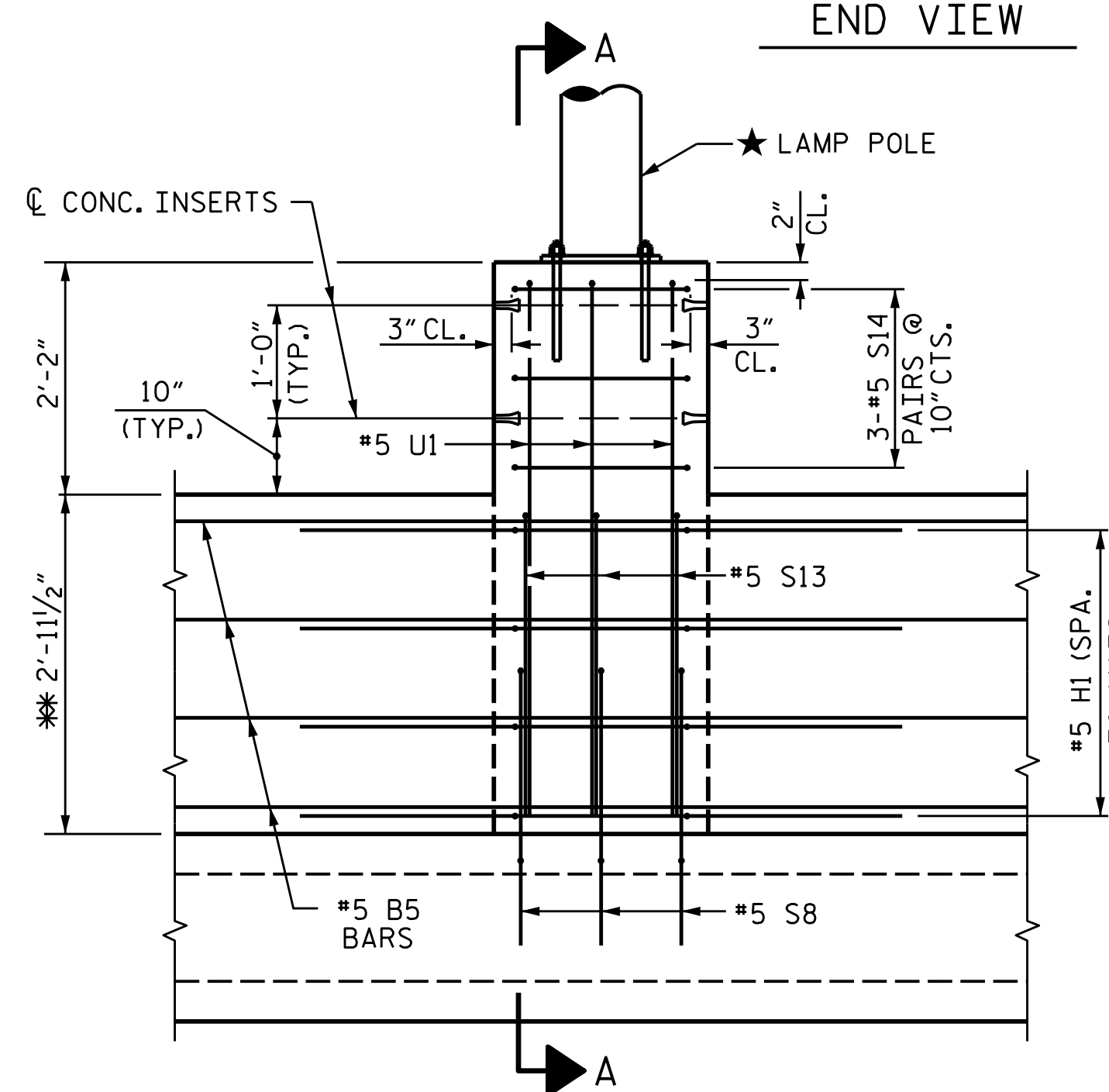


END VIEW



PLAN OF LAMP PEDESTAL

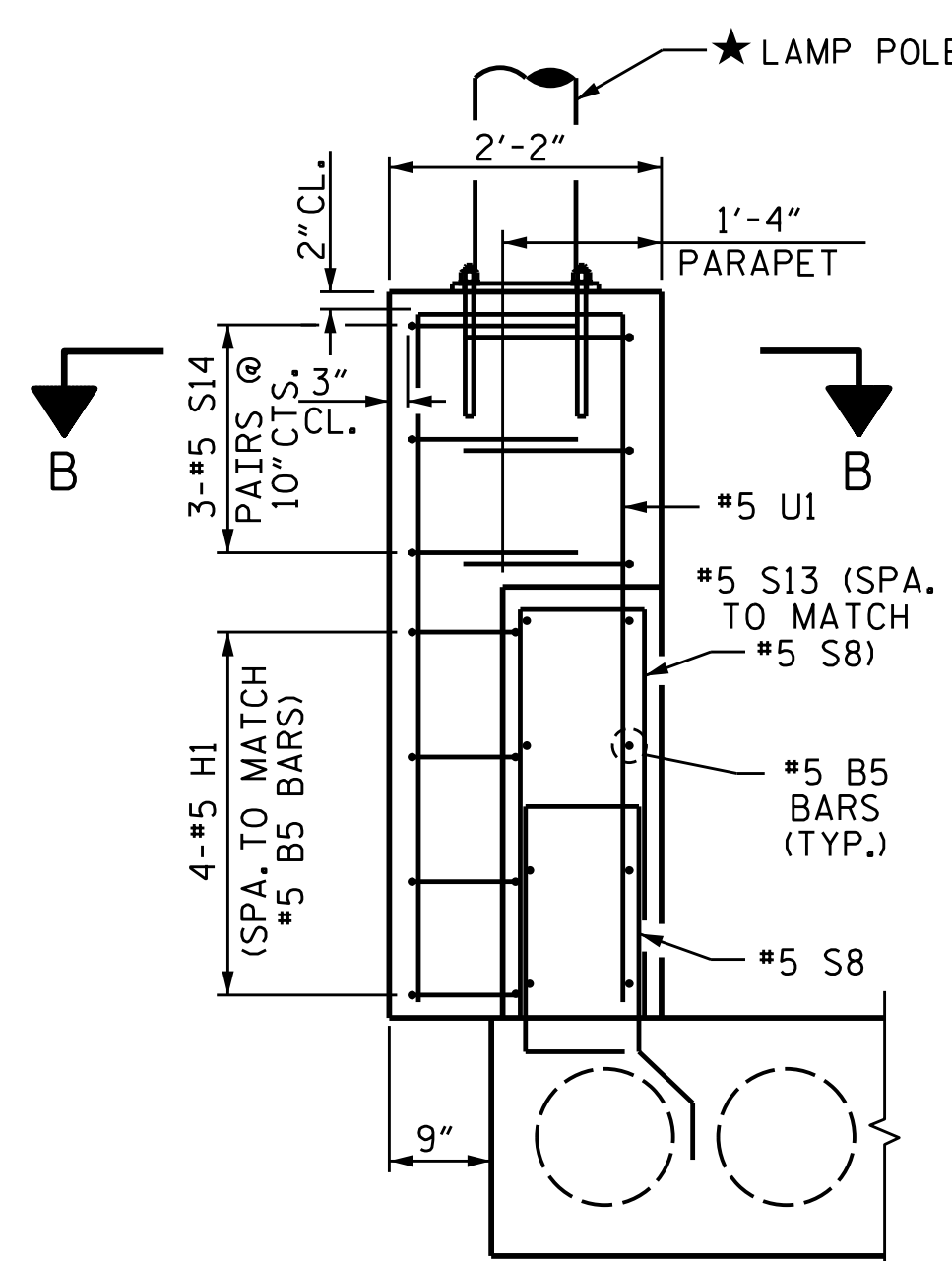
* THE MAXIMUM PARAPET HEIGHT IS SHOWN. THE HEIGHT OF THE PARAPET VARIES WHILE THE TOP OF THE PARAPET FOLLOWS THE PROFILE OF THE CONCRETE WEARING SURFACE.



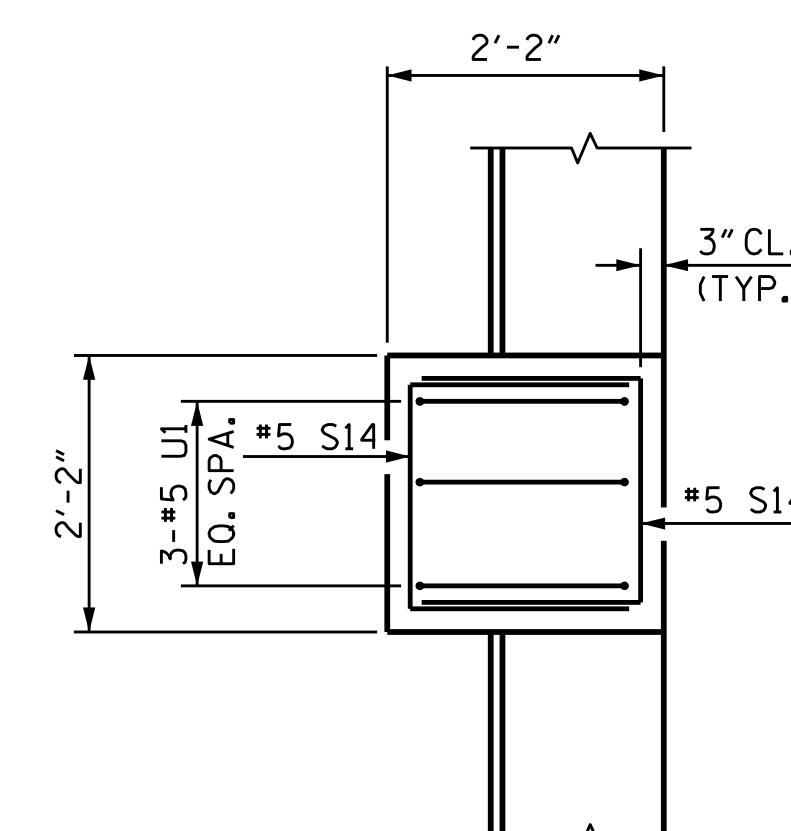
ELEVATION (FRONT VIEW)

LAMP PEDESTAL DETAILS

(★ LAMP POLE & ANCHORAGE TO BE PROVIDED BY OTHERS.)

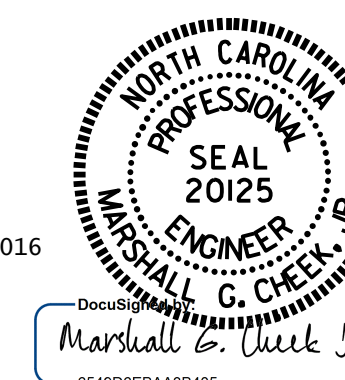


SECTION A-A



SECTION B-B

7/1/2016

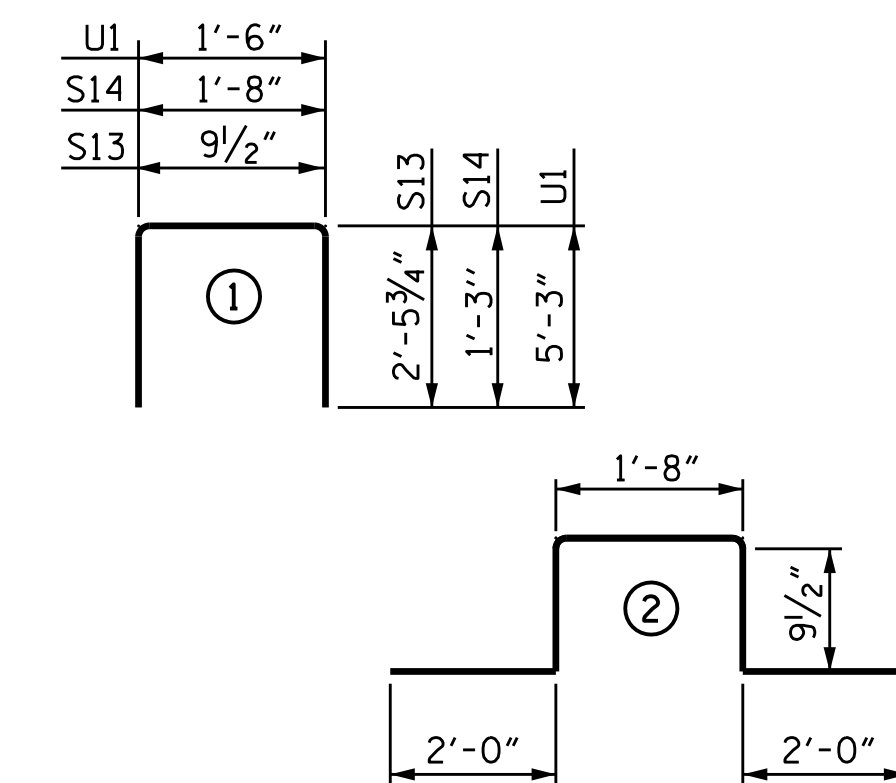


BILL OF MATERIAL FOR
1'-4" X 2'-11 1/2" PARAPET,
3 LAMP PEDESTALS, & 2 END POSTS

| BAR | NO. | SIZE | TYPE | LENGTH | WEIGHT |
|-------|-----|------|------|--------|--------|
| * B4 | 16 | #5 | STR | 19'-7" | 327 |
| * B5 | 48 | #5 | STR | 24'-7" | 1231 |
| * B6 | 16 | #5 | STR | 29'-7" | 494 |
| * E1 | 4 | #7 | STR | 2'-11" | 24 |
| * E2 | 4 | #7 | STR | 3'-5" | 28 |
| * E3 | 4 | #7 | STR | 3'-11" | 32 |
| * E4 | 4 | #7 | STR | 4'-5" | 36 |
| * E5 | 4 | #7 | STR | 4'-9" | 39 |
| * F1 | 4 | #6 | STR | 2'-0" | 12 |
| * F2 | 4 | #6 | STR | 3'-2" | 19 |
| * F3 | 4 | #6 | STR | 3'-10" | 23 |
| * H1 | 12 | #5 | 2 | 7'-3" | 91 |
| * S13 | 282 | #5 | 1 | 5'-9" | 1691 |
| * S14 | 18 | #5 | 1 | 4'-2" | 78 |
| * U1 | 9 | #5 | 1 | 12'-0" | 113 |

| | | |
|--|-----------------|------|
| * EPOXY COATED REINFORCING STEEL | LBS. | 4238 |
| CLASS AA CONCRETE | CU.YDS. | 38.8 |
| 1'-4" X 2'-11 1/2" CONCRETE PARAPET | 250.38 LIN. FT. | |
| ARCHITECTURAL CONCRETE SURFACE TREATMENT | 1450 SQ. FT. | |

BAR TYPES



ALL BAR DIMENSIONS ARE OUT TO OUT

PROJECT NO. B-5125
MACON COUNTY
STATION: 13+25.89 -L-

SHEET 2 OF 3

STATE OF NORTH CAROLINA
DEPARTMENT OF TRANSPORTATION
RALEIGH

1'-4" X 2'-11 1/2"
PARAPET,
END POSTS
AND
LAMP PEDESTALS

DRAWN BY: W.J. HARRIS DATE: 4/16
CHECKED BY: M.G. CHEEK DATE: 4/29/16
DESIGN ENGINEER OF RECORD: W.J. HARRIS DATE: 5/16

DOCUMENT NOT CONSIDERED
FINAL UNLESS ALL
SIGNATURES COMPLETED

| REVISIONS | | | | | | SHEET NO. |
|-----------|-----|-------|-----|-----|-------|--------------|
| NO. | BY: | DATE: | NO. | BY: | DATE: | TOTAL SHEETS |
| 1 | | | 3 | | | 17 |
| 2 | | | 4 | | | 43 |