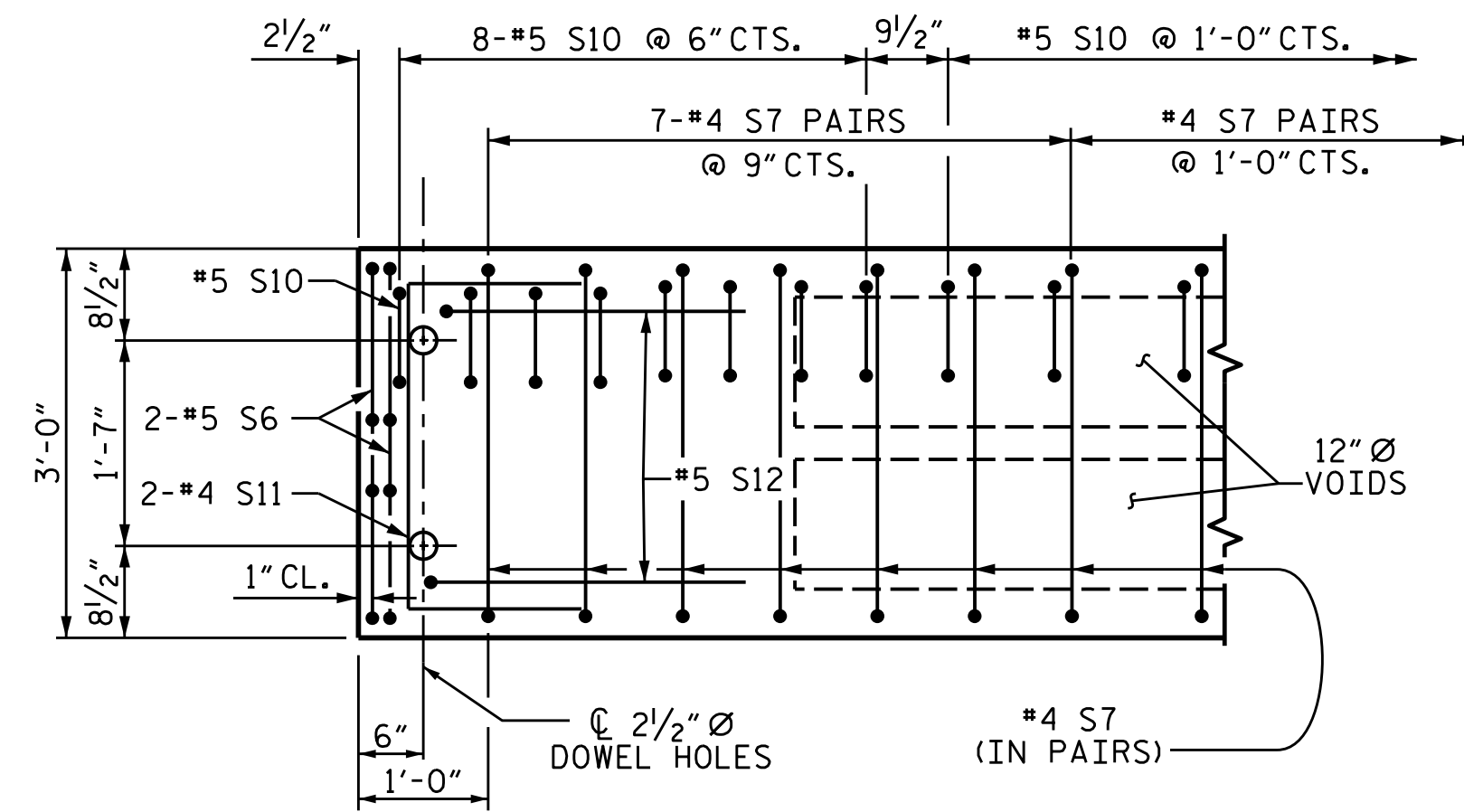


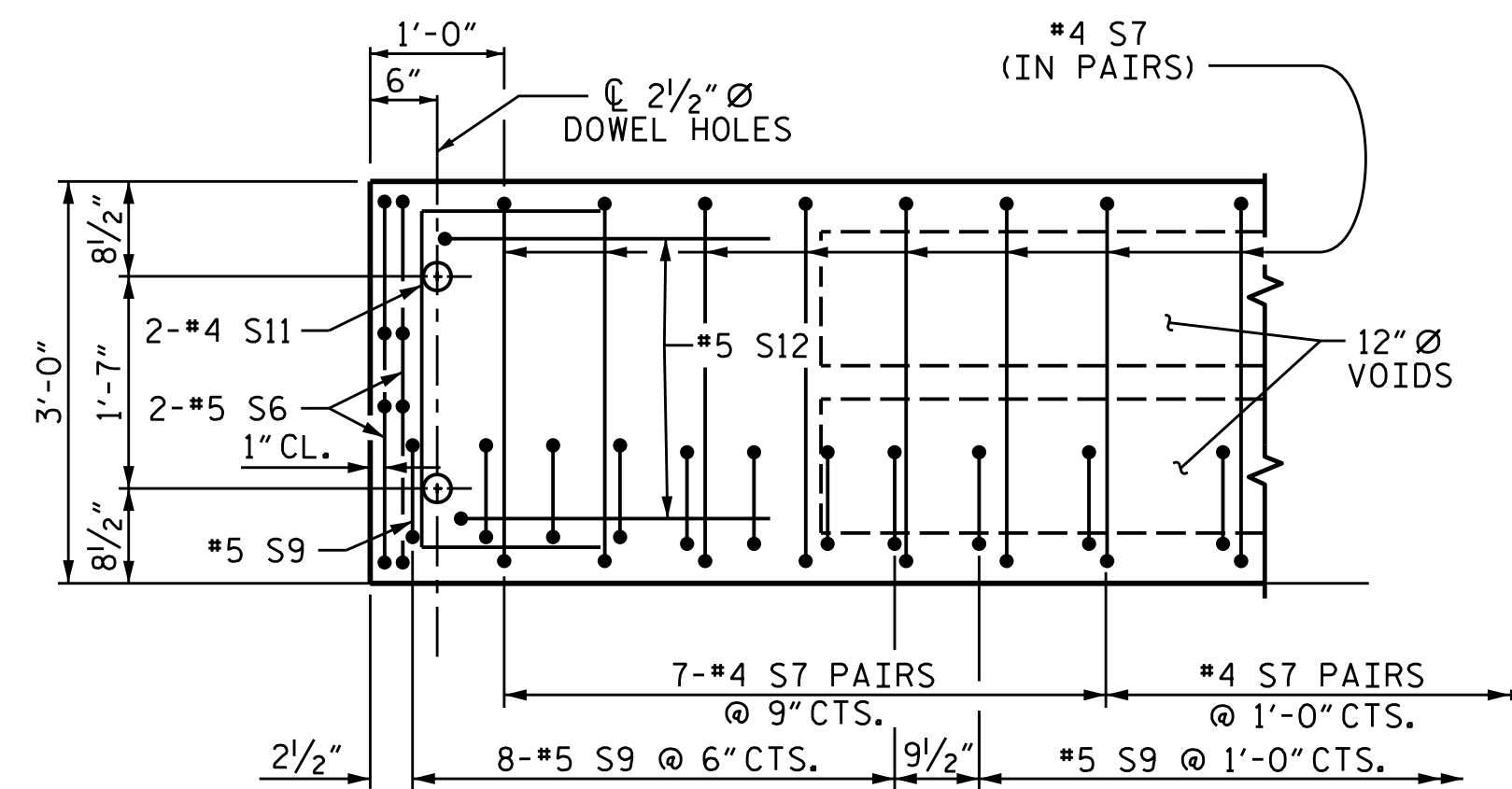
DETAIL "A"

(TYPICAL EACH END OF UNIT)
 (TYPICAL SPAN B, C & D)
 NOTE: TYPE I UNIT SHOWN - INTERIOR
 UNIT SIMILAR EXCEPT OMIT #5 S8 BARS.



DETAIL "C"

(TYPICAL EACH END OF UNIT)
 (TYPICAL SPAN B, C & D)



DETAIL "B"

(TYPICAL EACH END OF UNIT)
 (TYPICAL SPAN B, C & D)

PROJECT NO. B-5125
MACON COUNTY
 STATION: 13+25.89 -L-

SHEET 7 OF 8



STATE OF NORTH CAROLINA
 DEPARTMENT OF TRANSPORTATION
 RALEIGH

END OF
 CORED SLAB DETAILS
 SPAN B, C & D

DRAWN BY : W.J. HARRIS DATE : 4/16
 CHECKED BY : M.G. CHEEK DATE : 4/29/16
 DESIGN ENGINEER OF RECORD: W.J. HARRIS DATE : 5/16

DOCUMENT NOT CONSIDERED
 FINAL UNLESS ALL
 SIGNATURES COMPLETED

REVISIONS						SHEET NO.
NO.	BY:	DATE:	NO.	BY:	DATE:	TOTAL SHEETS
1			3			S-13
2			4			43