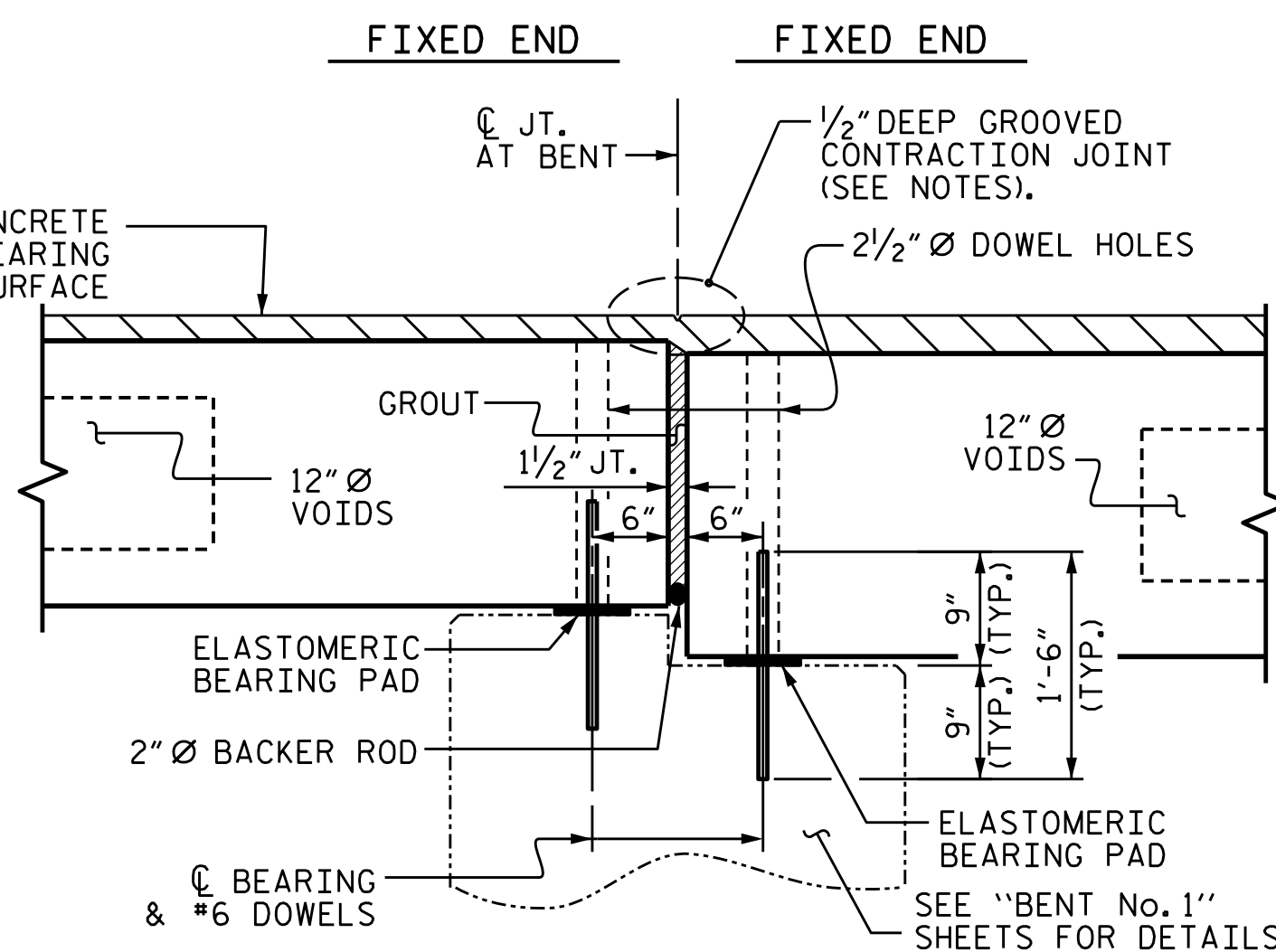
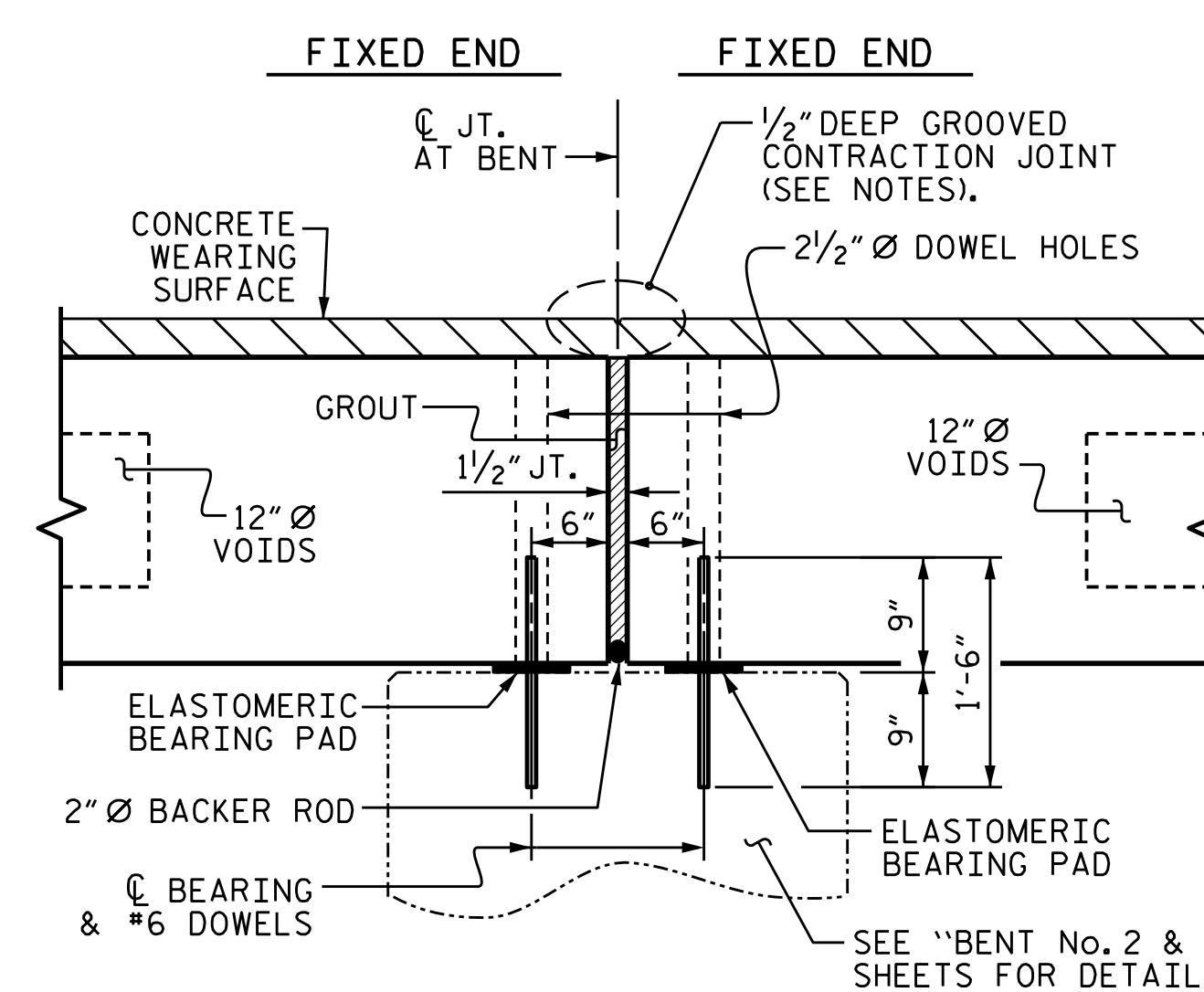


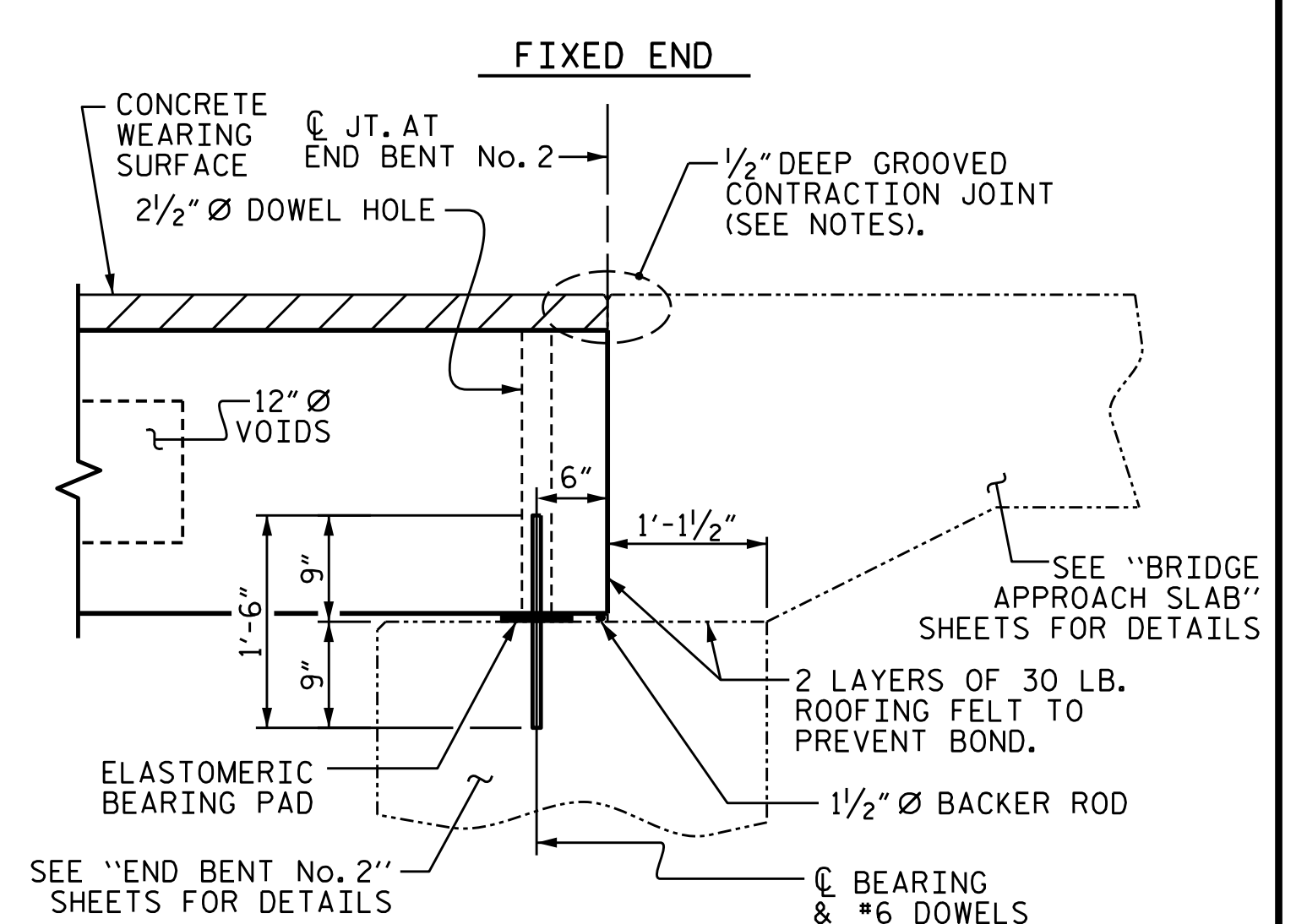
SECTION AT END BENT No. 1



SECTION AT BENT No. 1

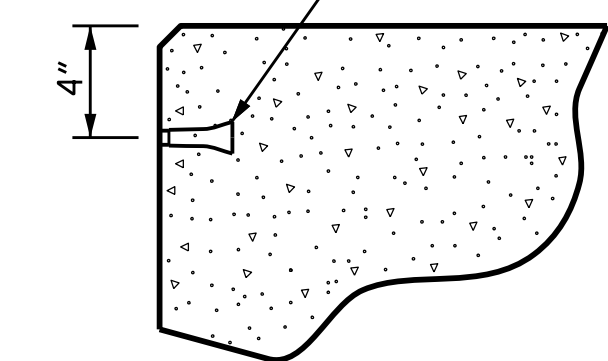


SECTION AT BENTS No. 2 & No. 3

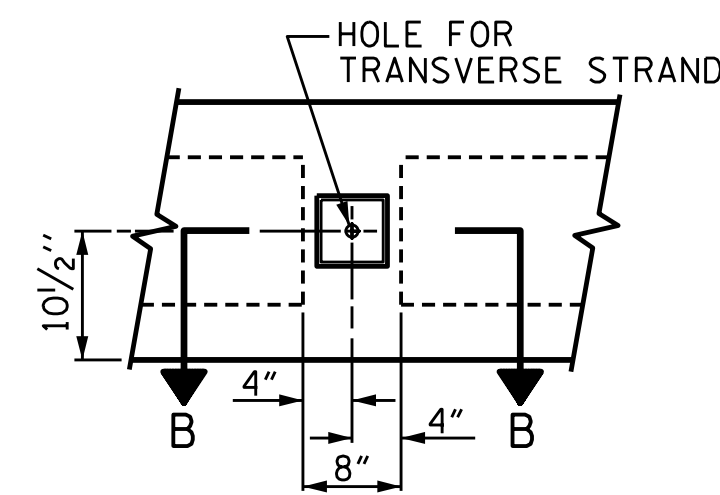


SECTION AT END BENT No. 2

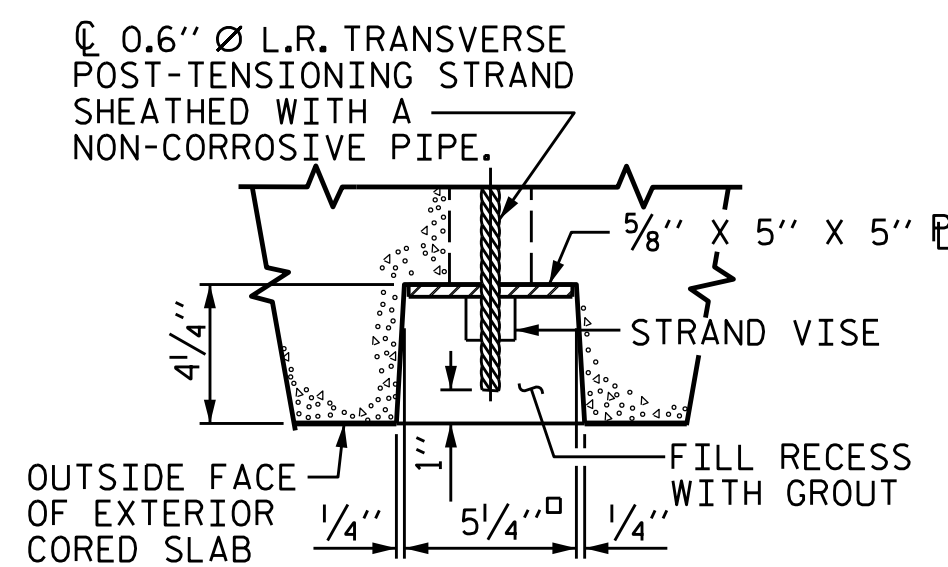
PERMITTED THREADED INSERT CAST IN OUTSIDE FACE OF EXTERIOR UNIT AND RECESSED 3/8" SIZE TO BE DETERMINED BY CONTRACTOR.



THREADED INSERT DETAIL



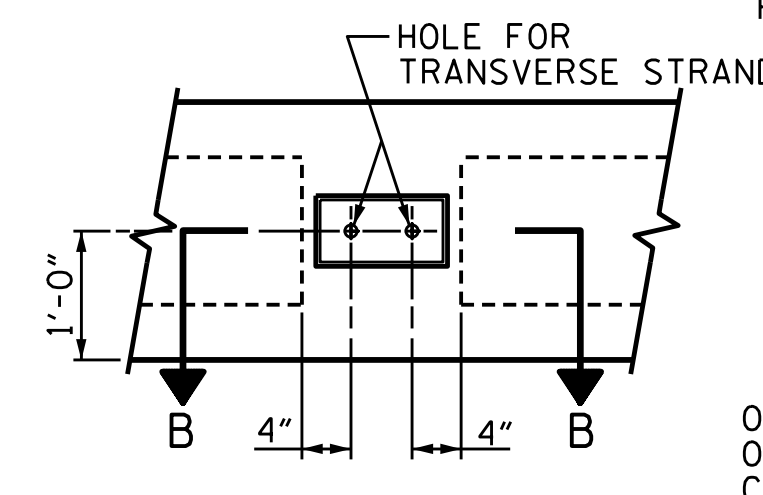
ELEVATION VIEW



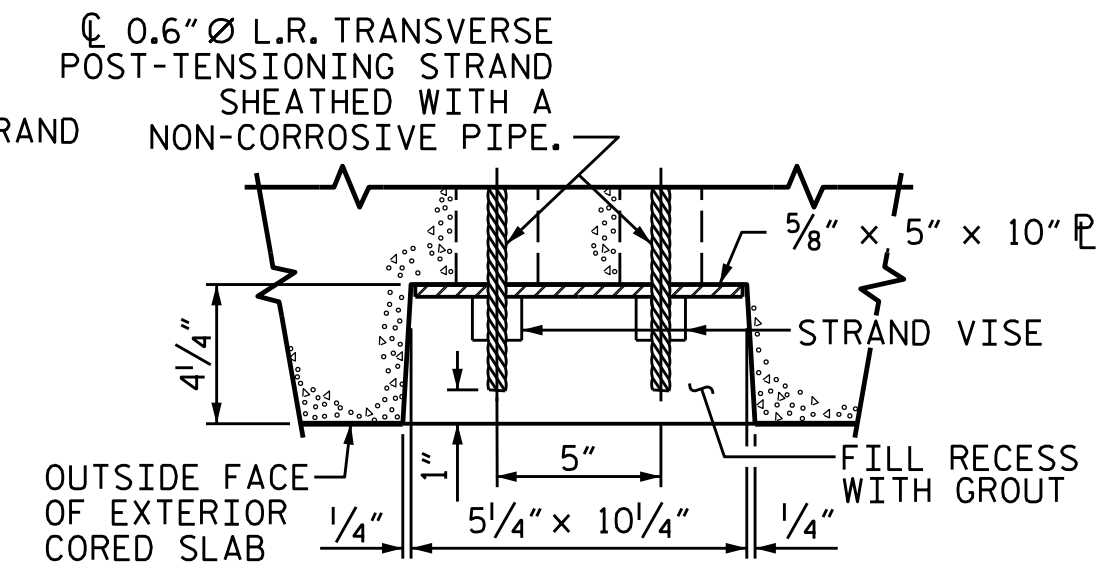
SECTION B-B

GROUTED RECESS AT END OF POST-TENSIONED STRAND OF CORED SLABS

SPAN A



ELEVATION VIEW



SECTION B-B

GROUTED RECESS AT END OF POST-TENSIONED STRAND OF CORED SLABS

SPAN B, C & D

PROJECT NO. B-5125

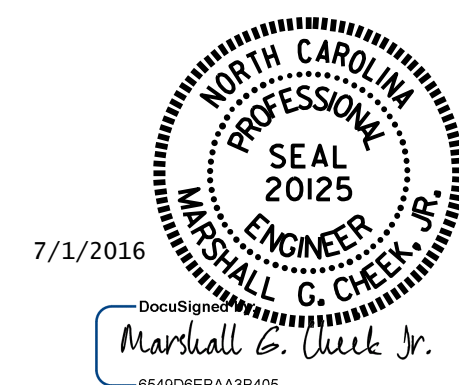
MACON COUNTY

STATION: 13+25.89 -L-

SHEET 3 OF 8

STATE OF NORTH CAROLINA
DEPARTMENT OF TRANSPORTATION
RALEIGH

PRESTRESSED CONCRETE
CORED SLAB UNIT
DETAILS



REVISIONS						SHEET NO.
NO.	BY:	DATE:	NO.	BY:	DATE:	TOTAL SHEETS
1			3			S-9
2			4			43

DRAWN BY: W.J. HARRIS DATE: 4/16
CHECKED BY: M.G. CHEEK DATE: 4/29/16
DESIGN ENGINEER OF RECORD: W.J. HARRIS DATE: 5/16

DOCUMENT NOT CONSIDERED
FINAL UNLESS ALL
SIGNATURES COMPLETED