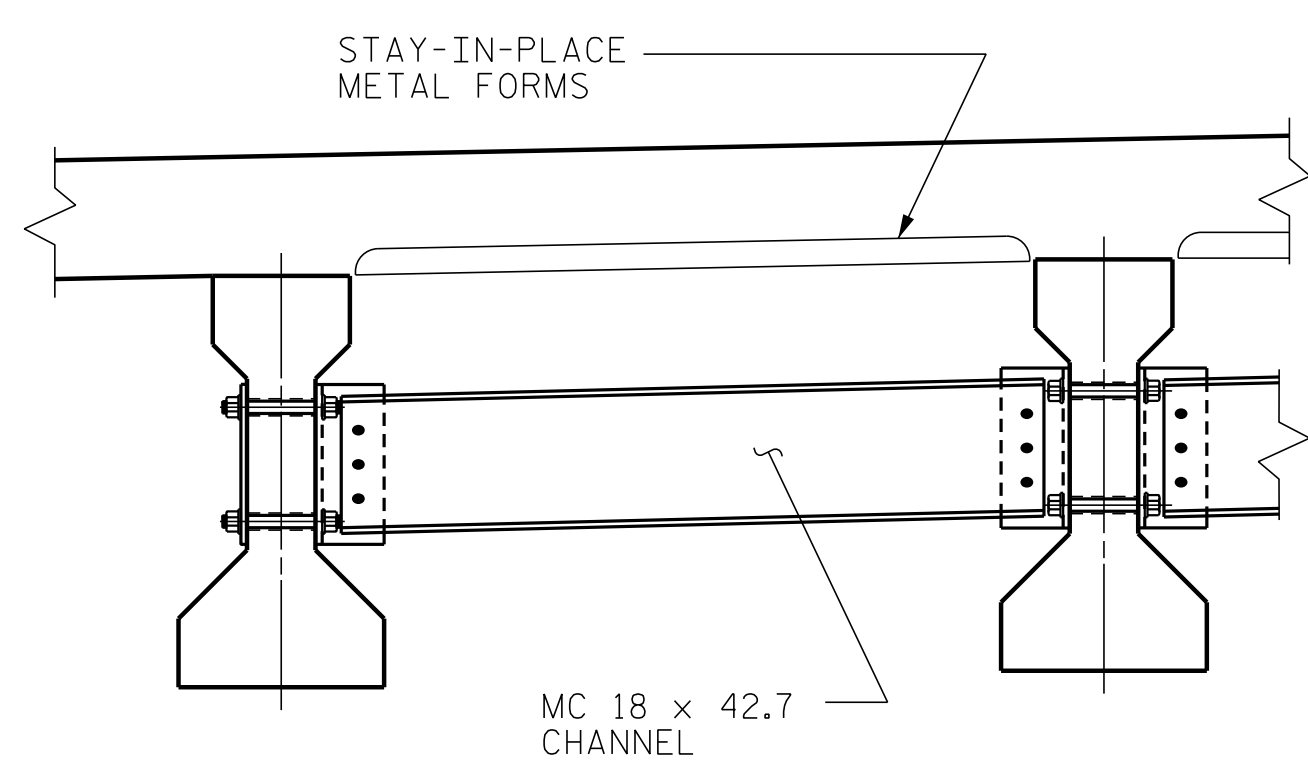
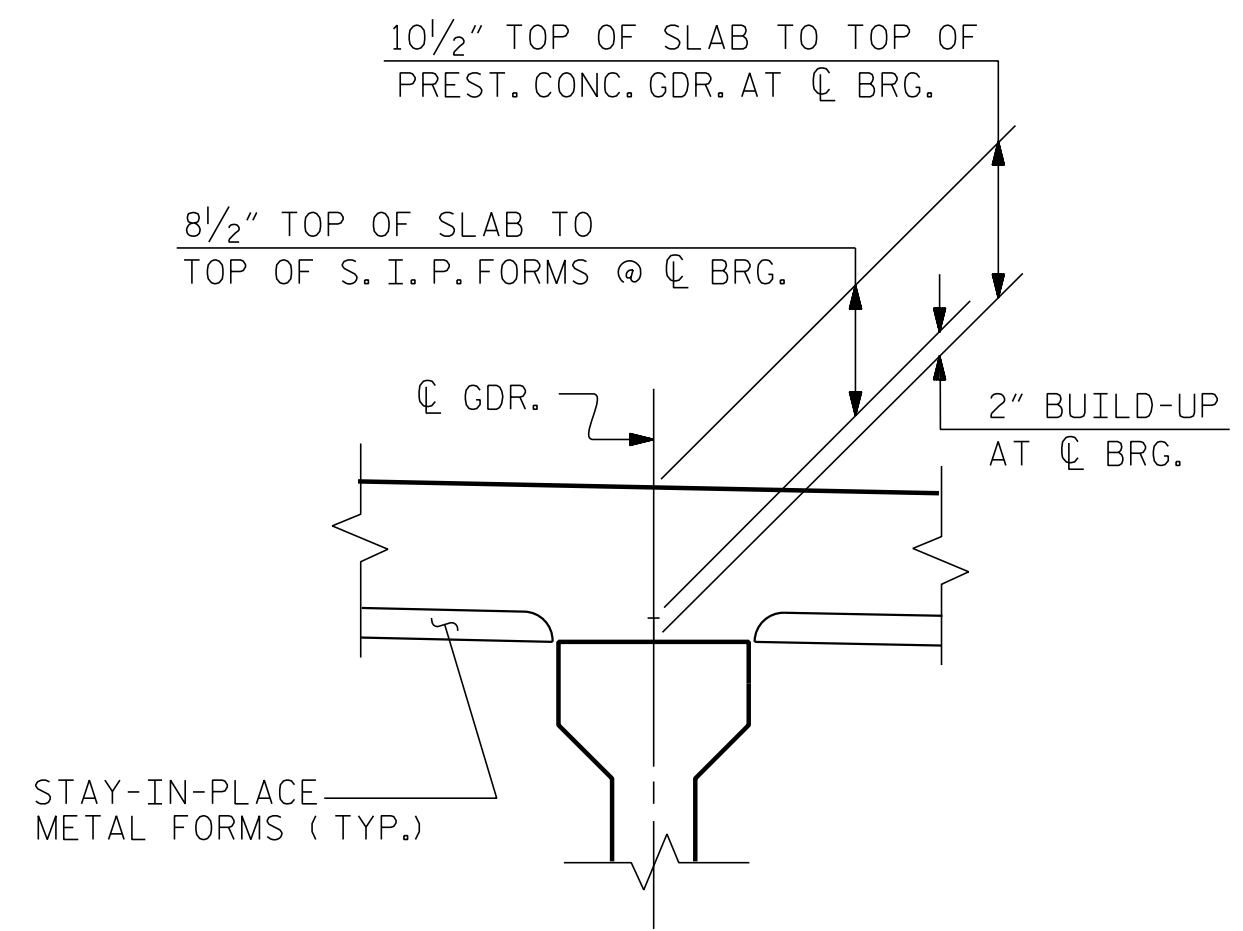


TYPICAL SECTION



TYPICAL INTERMEDIATE DIAPHRAGM

SEE "INTERMEDIATE STEEL DIAPHRAGMS FOR TYPE IV PRESTRESSED CONCRETE GIRDERS" SHEET FOR DETAILS



DETAIL "A"

PROJECT NO. R-5769
JOHNSTON COUNTY
 STATION: 33+26.33 -L-
 SHEET 1 OF 2

ENGINEER OF RECORD

1223 Jones Franklin Rd.
 Raleigh, N.C. 27606
 Bus: 919 851 8077
 Fax: 919 851 8107
 LICENSE NO. F-0377

STATE OF NORTH CAROLINA DEPARTMENT OF TRANSPORTATION RALEIGH			
SUPERSTRUCTURE TYPICAL SECTION			
REVISIONS			
NO.	BY:	DATE:	SHEET NO.
1			S-5
2			TOTAL SHEETS
			23

DRAWN BY : D. HODGE DATE : 3/16
 CHECKED BY : G.M. GILLAND DATE : 3/16

DOCUMENT NOT CONSIDERED FINAL
 UNLESS ALL SIGNATURES COMPLETED

P:\2016\AR-5769\Structures\DCM\AR5769_SD_STR.LTS.dgn
 8/16/2016 9:38:59 AM