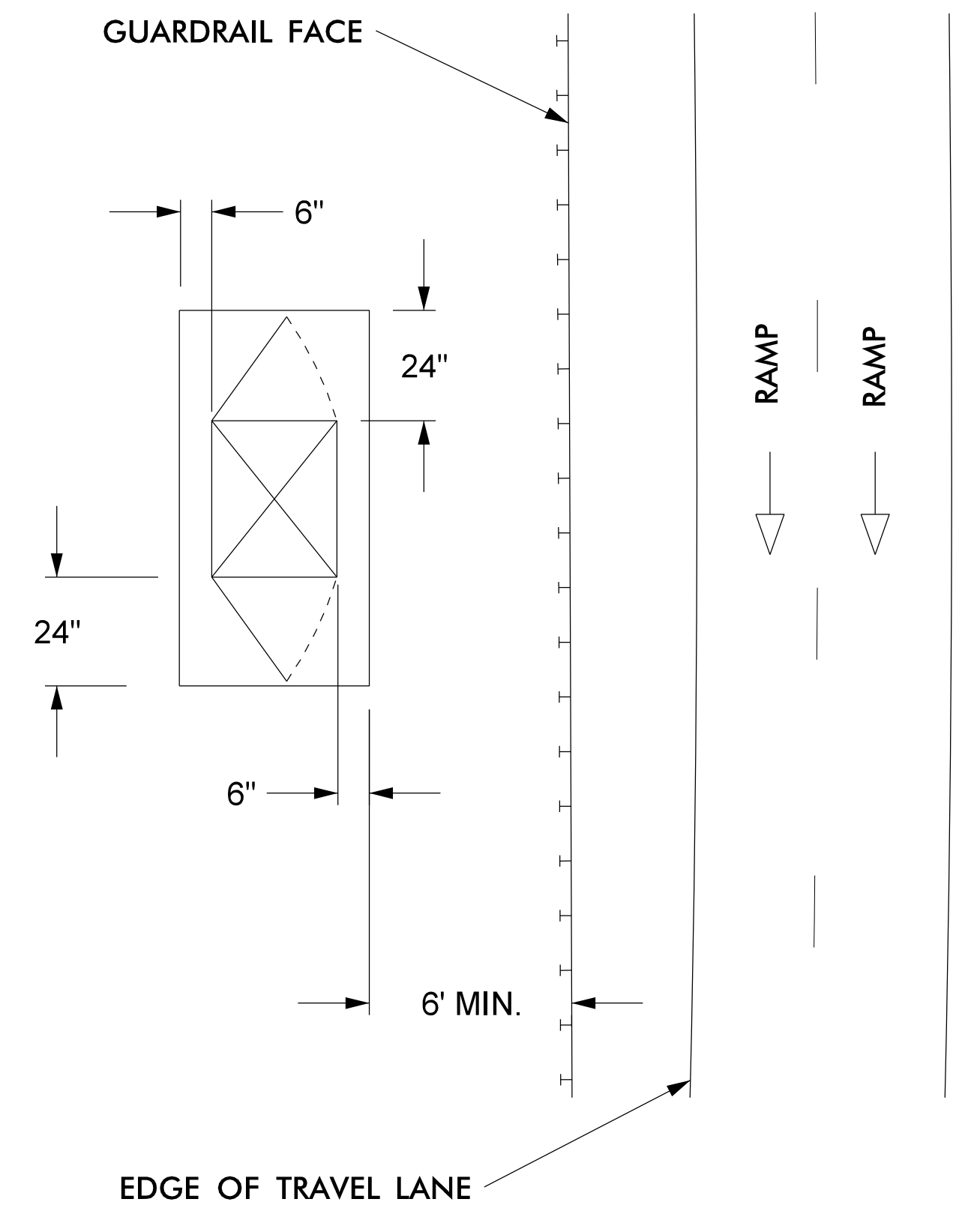
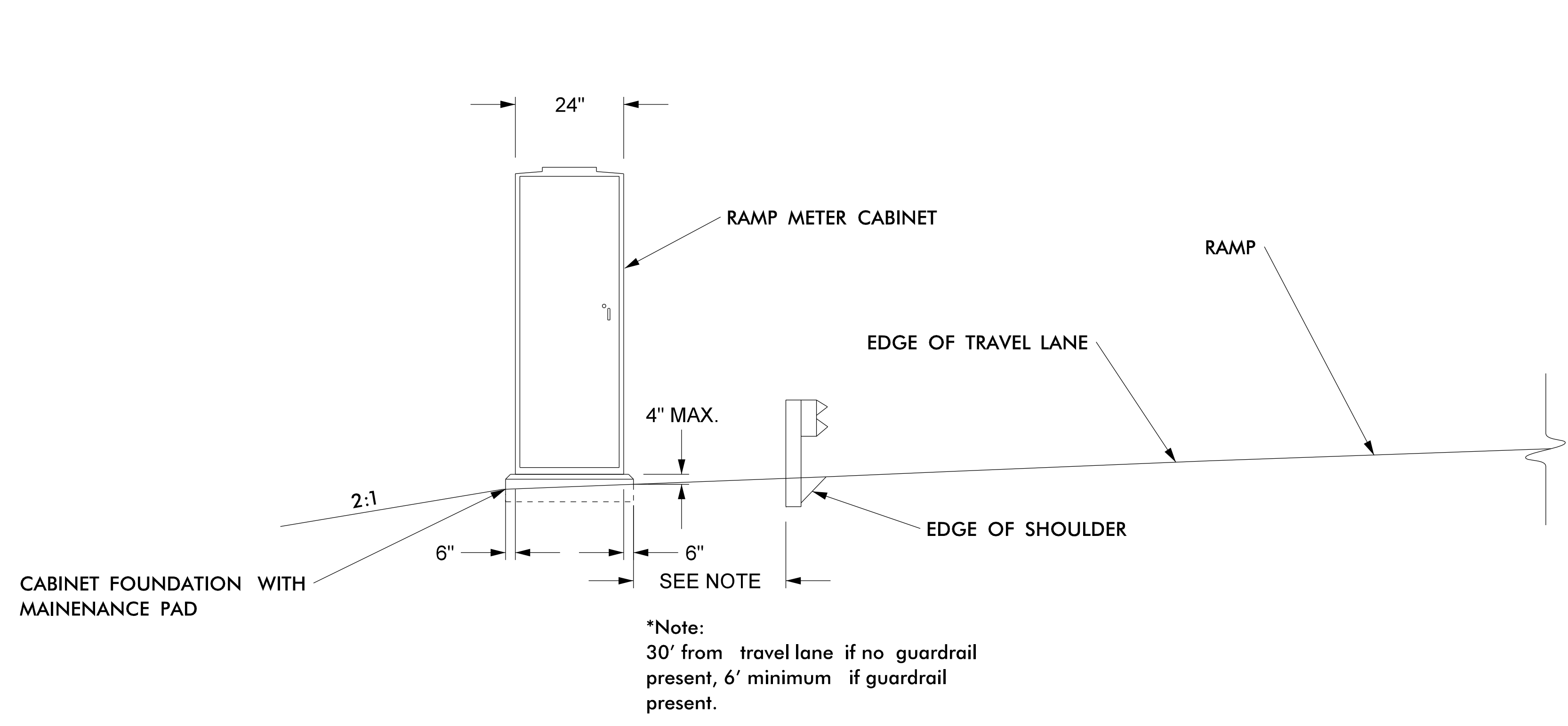
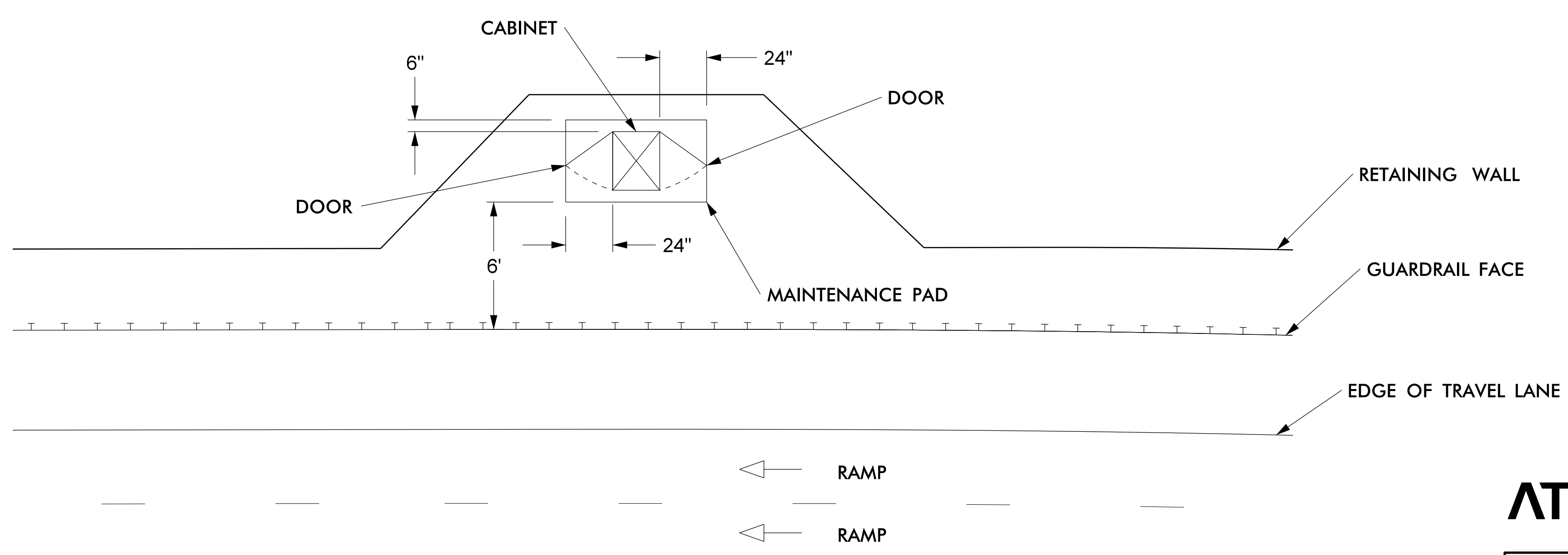


**LEESVILLE ROAD, CREEDMOOR ROAD,
AND SIX FORKS ROAD**



FALLS OF NEUSE ROAD



ATKINS 5200 77 CENTER DR., SUITE 500
CHARLOTTE, NC 28217
704.665.4411 NCBEES #F-0326

**DOCUMENT NOT CONSIDERED FINAL
UNLESS ALL SIGNATURES COMPLETED**

	I-540 Ramp Metering Cabinet Placement Details	
	DIVISION 05 WAKE CO RALEIGH PLAN DATE: JUNE 2016 REVIEWED BY: H A BADGETT PREPARED BY: G B SPELL REVIEWED BY: J T BROOKS	REVISIONS INIT. DATE N.T.S.

DocuSigned by:
Alfred Badgett 6/27/2016
DATE

CADD Filename: ITS-24 I-540 Cab net P

27-JUN-2016 15:55
 I:\Product\For\ITS\NCDOT\00042047 I-540 Ramp Meter Design\Mobility and Safety TD\ITS Task 3 and 4 - ITS Plans\ITS-24 I-540 Cabinet Placement Details.dgn
 WLE2054 AT DUS300019