

**QUANTITIES FOR ONE PRECAST CONCRETE PILE**

LENGTH	APPROX. PILE WT. TONS	ONE PICK-UP POINT		TWO PICK-UP POINT	
		0.300L	0.700L	0.207L	0.586L
10'-0"	1.56	3'-0"	7'-0"		
15'-0"	2.35	4'-6"	10'-6"		
20'-0"	3.14	6'-0"	14'-0"		
25'-0"	3.93	7'-6"	17'-6"		
30'-0"	4.70	9'-0"	21'-0"		
35'-0"	5.49	10'-6"	24'-6"		
40'-0"	6.28	12'-0"	28'-0"		
45'-0"	7.05	13'-6"	31'-6"		
50'-0"	7.84	15'-0"	35'-0"		
55'-0"	8.63			11'-4 1/2"	32'-3"
60'-0"	9.42			12'-5"	35'-2"

**NOTES**

CONCRETE DESIGN DATA :  $f'_c = 5,000$  PSI

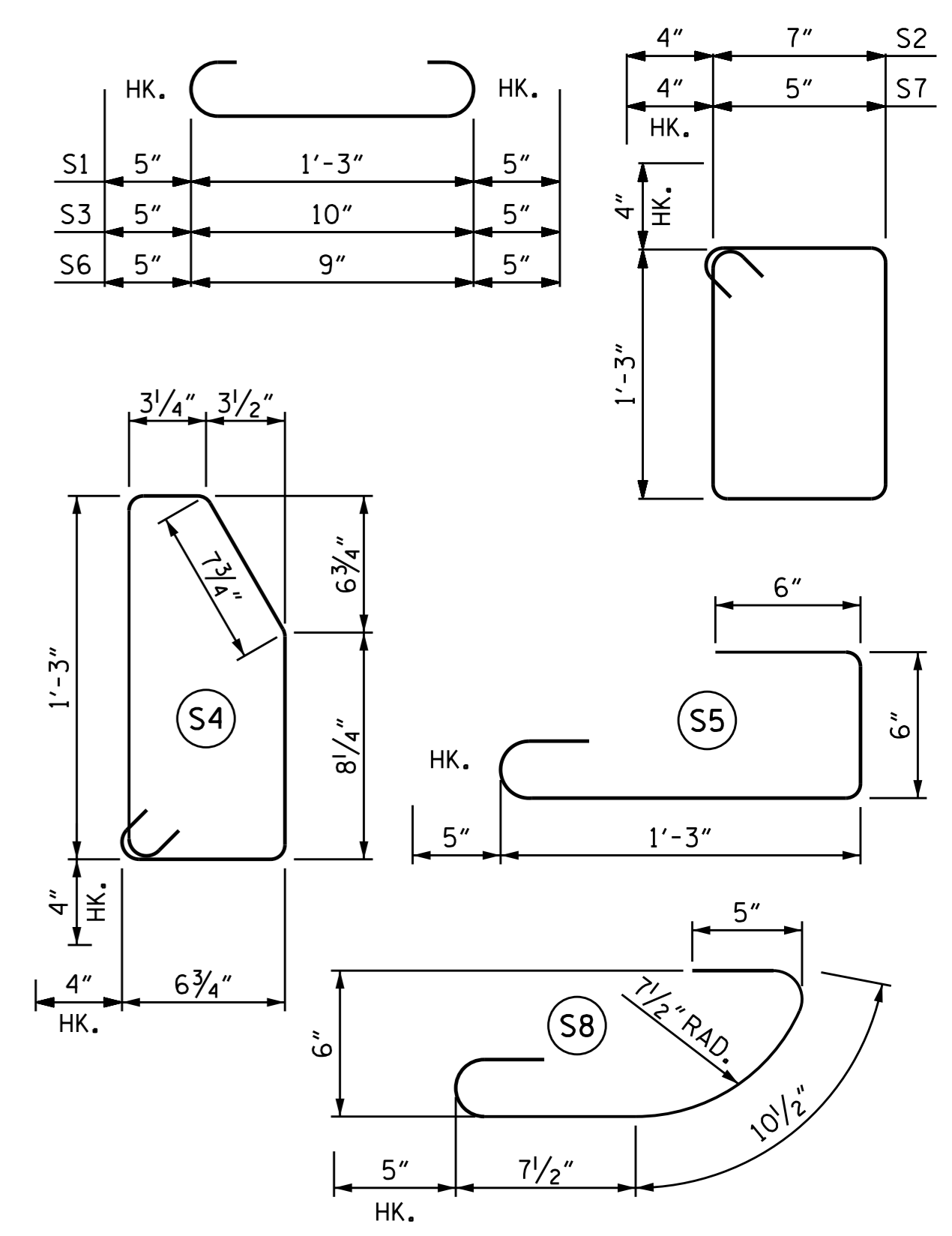
PROPOSED DEVICES FOR LIFTING PILES, RECESS DETAILS, AND PATCHING MATERIAL SHALL BE DETAILED IN SHOP DRAWINGS. AFTER ATTACHMENTS HAVE BEEN REMOVED, OPENINGS SHALL BE REPAIRED SUCH THAT THE APPEARANCE OF THE PILE IS UNIFORM.

WHERE CAST-IN-PLACE LIFTING DEVICES ARE NOT USED, PICK-UP POINTS TO BE INDICATED WITH A BLACK MARK 2" WIDE.

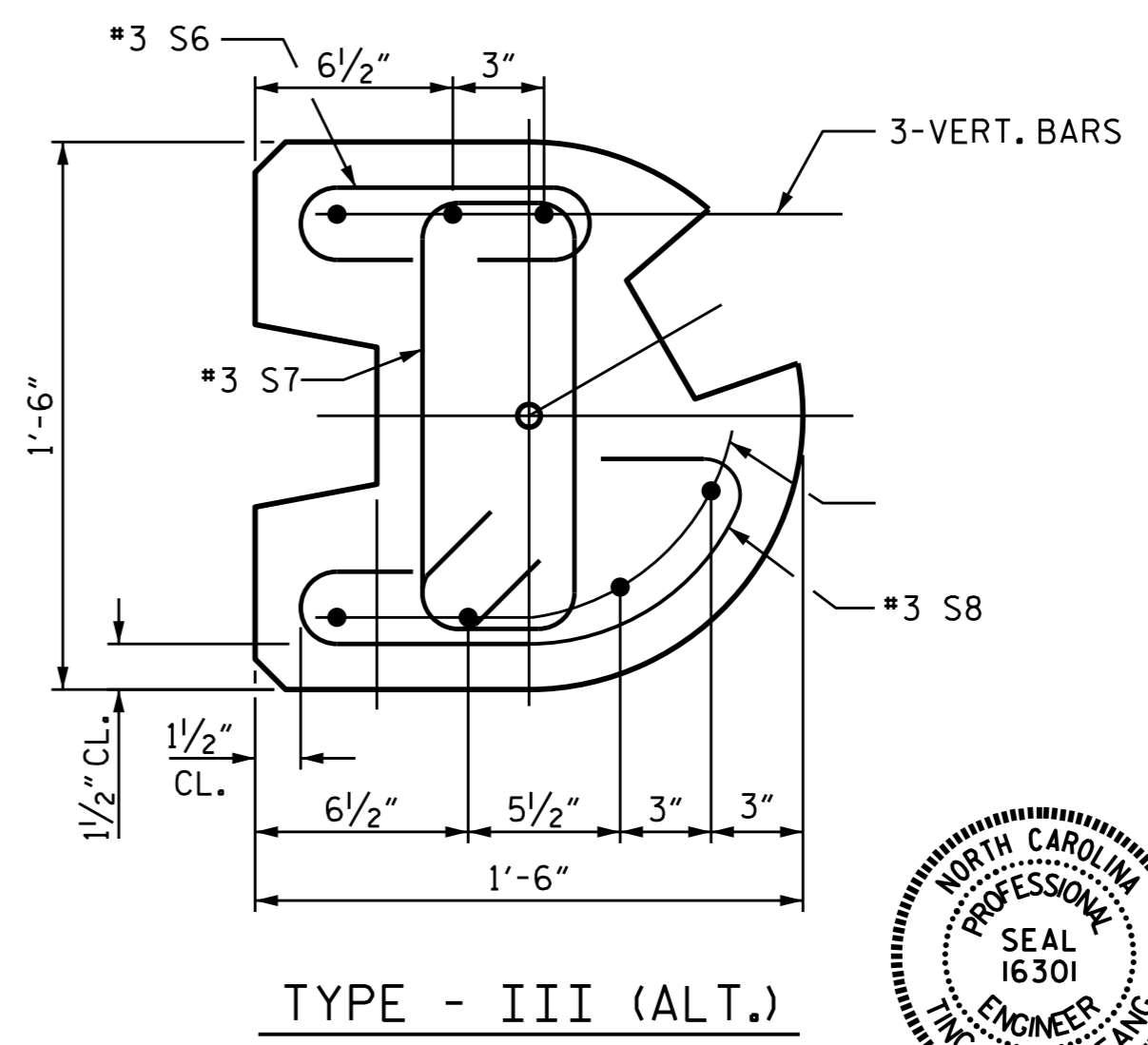
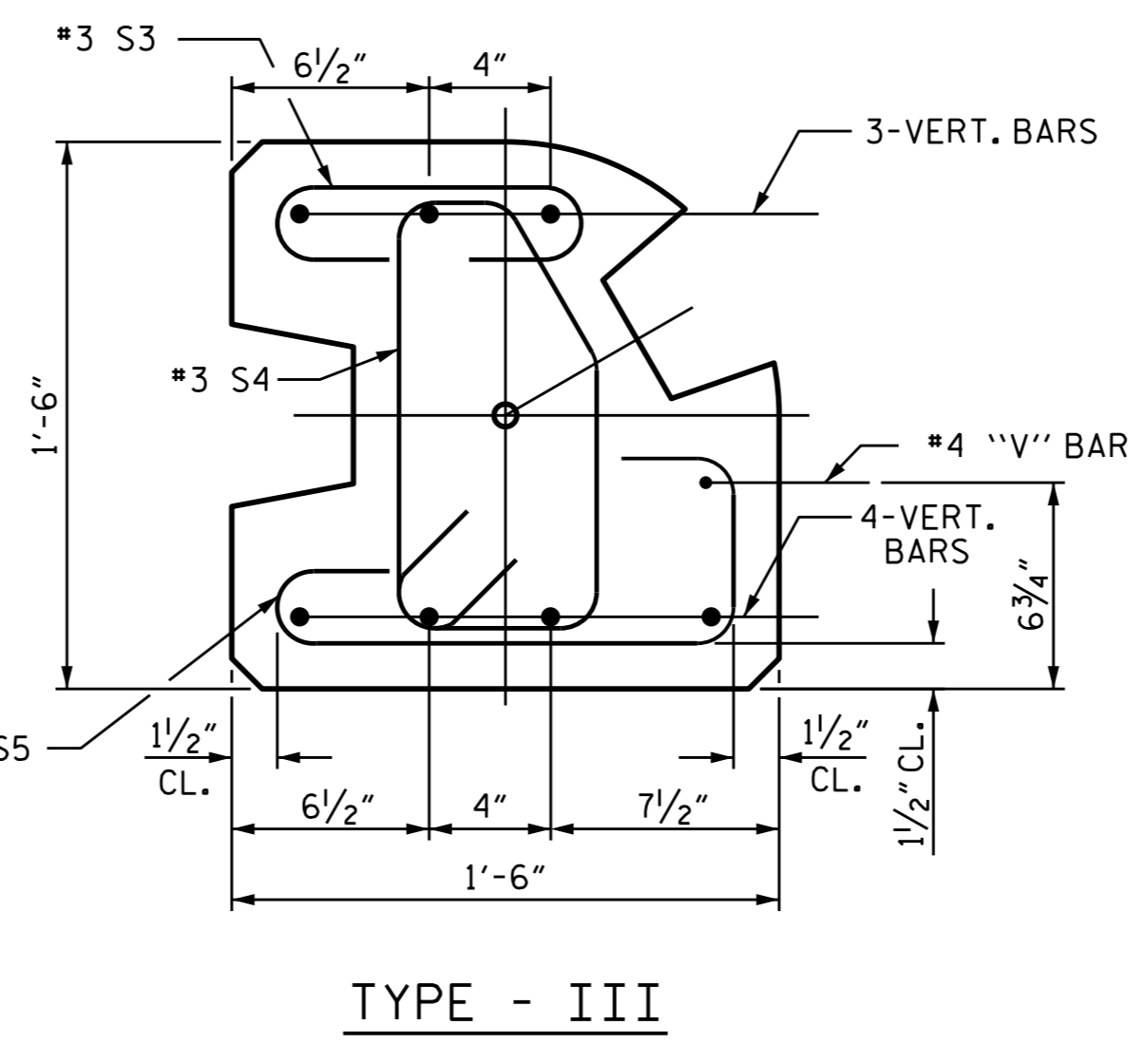
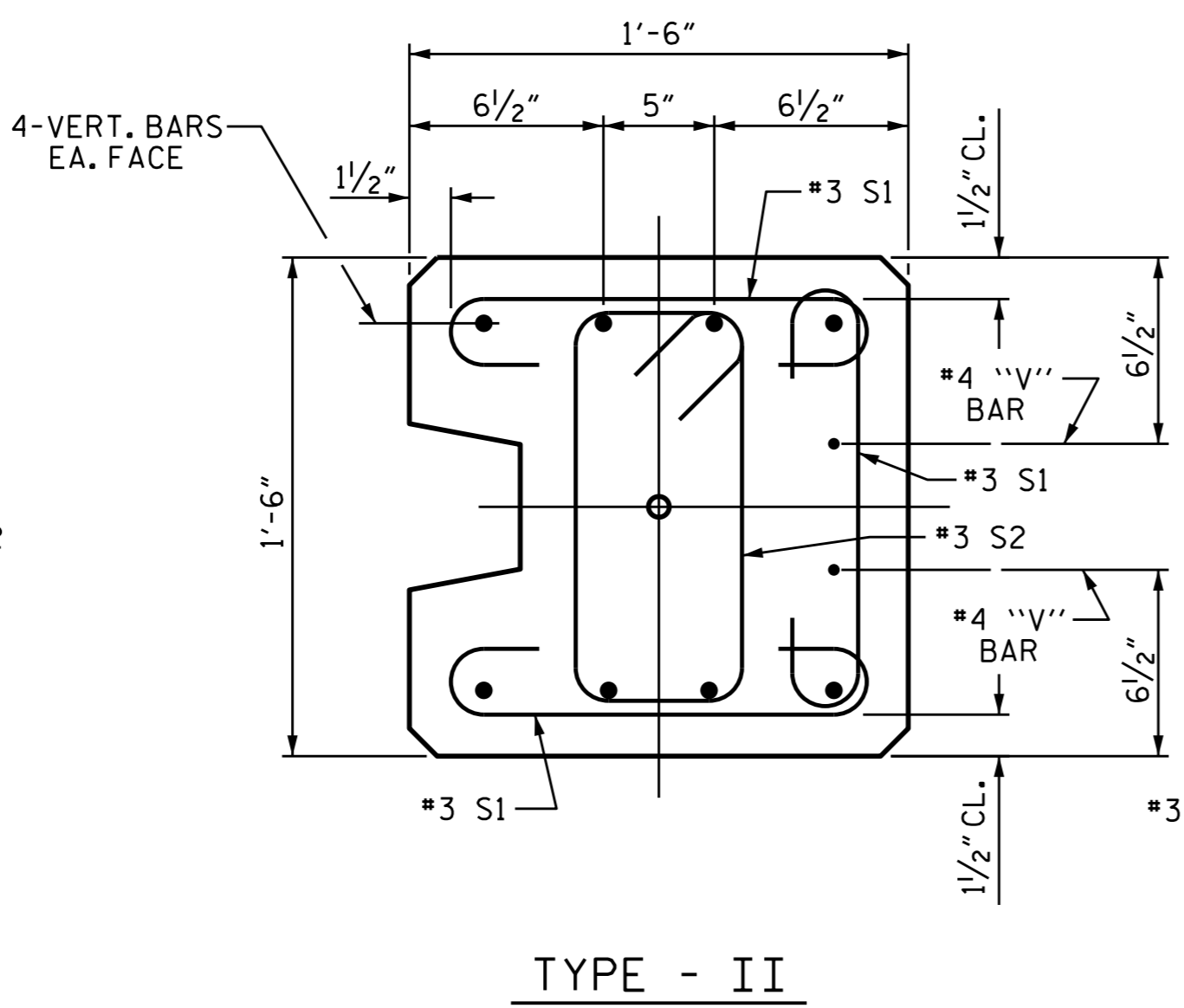
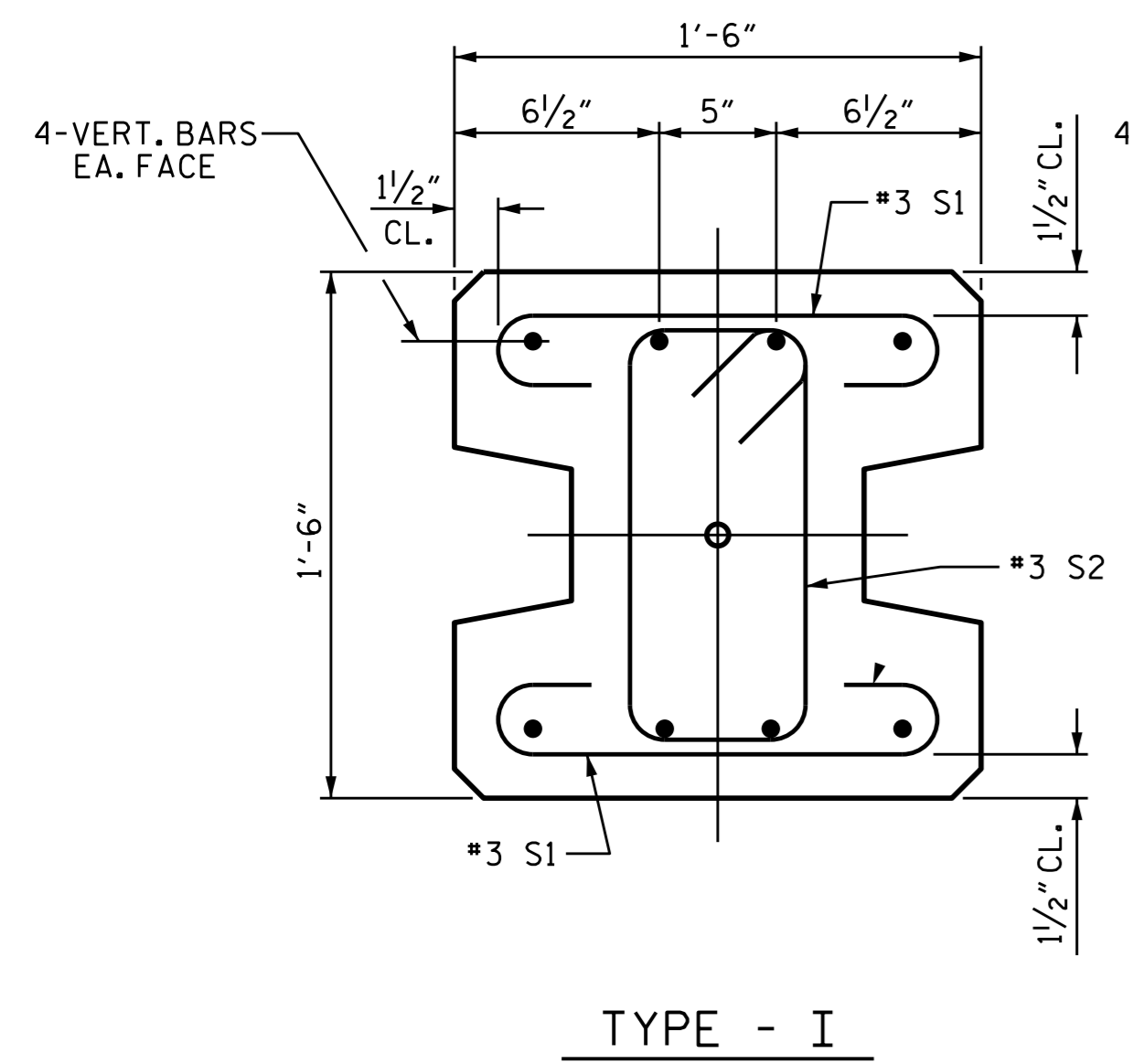
THE SLIP-FORM METHOD OF CASTING PILES WILL NOT BE PERMITTED.

ALL CORNERS TO BE CHAMFERED 1".

**BAR TYPES**



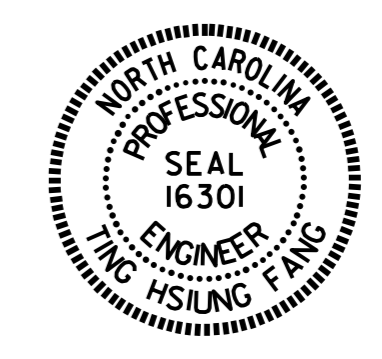
ALL BAR DIMENSIONS ARE OUT TO OUT.



**PILE DETAIL**

FOR PILE VERTICAL BAR REINFORCING FOR EACH SOUND BARRIER WALL, SEE STD. SHEET NO. SBW1

PROJECT NO. U-2524D  
 GUILFORD COUNTY  
 STATION: 422+43.04 -L-  
 SHEET 9 OF 9



STATE OF NORTH CAROLINA  
 DEPARTMENT OF TRANSPORTATION  
 RALEIGH  
 STANDARD  
 SOUND BARRIER WALL  
 PRECAST PILE  
 DETAILS

ASSEMBLED BY : M. SHAHIDI DATE : 4/19/16  
 CHECKED BY : T. H. FANG DATE : 4/20/16  
 DRAWN BY : MAA 6/II  
 CHECKED BY : GM 6/II

ADDED 8/31/11  
 REV. 1/15/14 RWW/TMG

DocuSigned by:  
 Ting Fang  
 E72088400977435  
 7/1/2016  
 DOCUMENT NOT CONSIDERED  
 FINAL UNLESS ALL  
 SIGNATURES COMPLETED

REVISIONS						SHEET NO. 9
NO.	BY:	DATE:	NO.	BY:	DATE:	
1			3			TOTAL SHEETS 9
2			4			