

LOAD AND RESISTANCE FACTOR RATING (LRFR) SUMMARY FOR REINFORCED CONCRETE BOX CULVERTS

LEVEL	VEHICLE	WEIGHT (W) (TONS)	CONTROLLING LOAD RATING #	MINIMUM RATING FACTORS (RF)	TONS = W x RF	STRENGTH I LIMIT STATE								COMMENT NUMBER		
						MOMENT				SHEAR						
						LIVE-LOAD FACTORS (LL)	RATING FACTOR	BOX NO.	ELEMENT TYPE	DISTANCE FROM LEFT END OF ELEMENT (ft)	RATING FACTOR	BOX NO.	ELEMENT TYPE		DISTANCE FROM LEFT END OF ELEMENT (ft)	
DESIGN LOAD RATING	HL-93 (INVENTORY)	N/A	①	1.27	--	1.75	1.55	1	TOP SLAB	5.33	1.27	1	BOTTOM SLAB	0.90		
	HL-93 (OPERATING)	N/A		1.64	--	1.35	2.01	1	TOP SLAB	5.33	1.64	1	BOTTOM SLAB	0.90		
	HS-20 (INVENTORY)	36.000	②	1.65	59.29	1.75	2.12	1	TOP CORNER WALL	0.58	1.65	1	BOTTOM SLAB	0.90		
	HS-20 (OPERATING)	36.000		2.13	76.86	1.35	2.75	1	TOP CORNER WALL	0.58	2.13	1	BOTTOM SLAB	0.90		
LEGAL LOAD RATING	SINGLE VEHICLE (SV)	SNSH	13.500		2.98	40.19	1.40	3.66	1	BOT CORNER WALL	7.36	2.98	1	BOTTOM SLAB	0.90	
		SNGARBS2	20.000		2.80	56.09	1.40	3.44	1	TOP CORNER WALL	0.58	2.80	1	BOTTOM SLAB	0.90	
		SNAGRIS2	22.000		2.98	65.50	1.40	3.66	1	BOT CORNER WALL	7.36	2.98	1	BOTTOM SLAB	0.90	
		SNCOTTS3	27.250	③	1.59	43.22	1.40	1.91	1	TOP CORNER WALL	0.58	1.59	1	BOTTOM SLAB	0.90	
		SNAGGRS4	34.925		1.60	55.85	1.40	2.05	1	TOP CORNER WALL	0.58	1.60	1	BOTTOM SLAB	9.76	
		SNS5A	35.550		1.65	58.80	1.40	2.06	1	TOP CORNER WALL	0.58	1.65	1	BOTTOM SLAB	0.90	
		SNS6A	39.950		1.64	65.51	1.40	2.06	1	TOP CORNER WALL	0.58	1.64	1	BOTTOM SLAB	0.90	
		SNS7B	42.000		1.64	68.88	1.40	2.06	1	TOP CORNER WALL	0.58	1.64	1	BOTTOM SLAB	0.90	
	TRUCK TRACTOR SEMI-TRAILER (TTST)	TNAGRIT3	33.000		2.58	85.14	1.40	3.20	1	TOP CORNER WALL	0.58	2.58	1	BOTTOM SLAB	0.90	
		TNT4A	33.075		1.88	62.14	1.40	2.23	1	TOP CORNER WALL	0.58	1.88	1	BOTTOM SLAB	0.90	
		TNT6A	41.600		1.60	66.53	1.40	2.02	1	TOP CORNER WALL	0.58	1.60	1	BOTTOM SLAB	9.76	
		TNT7A	42.000		1.76	73.89	1.40	2.17	1	TOP CORNER WALL	0.58	1.76	1	BOTTOM SLAB	9.76	
		TNT7B	42.000		1.65	69.47	1.40	2.07	1	TOP CORNER WALL	0.58	1.65	1	BOTTOM SLAB	0.90	
		TNAGRIT4	43.000		1.79	77.05	1.40	2.14	1	TOP CORNER WALL	0.58	1.79	1	BOTTOM SLAB	0.90	
		TNAGT5A	45.000		1.83	82.15	1.40	2.18	1	TOP CORNER WALL	0.58	1.83	1	BOTTOM SLAB	0.90	
		TNAGT5B	45.000		1.88	84.54	1.40	2.23	1	TOP CORNER WALL	0.58	1.88	1	BOTTOM SLAB	0.90	

LOAD FACTORS:

DESIGN LOAD RATING FACTORS

LOAD TYPE	MAX FACTOR	MIN FACTOR
DC	1.25	0.90
DW	1.50	0.65
EV	1.30	0.90
EH	1.35	0.90
ES	1.35	0.90
LS	1.75	--
WA	1.00	--

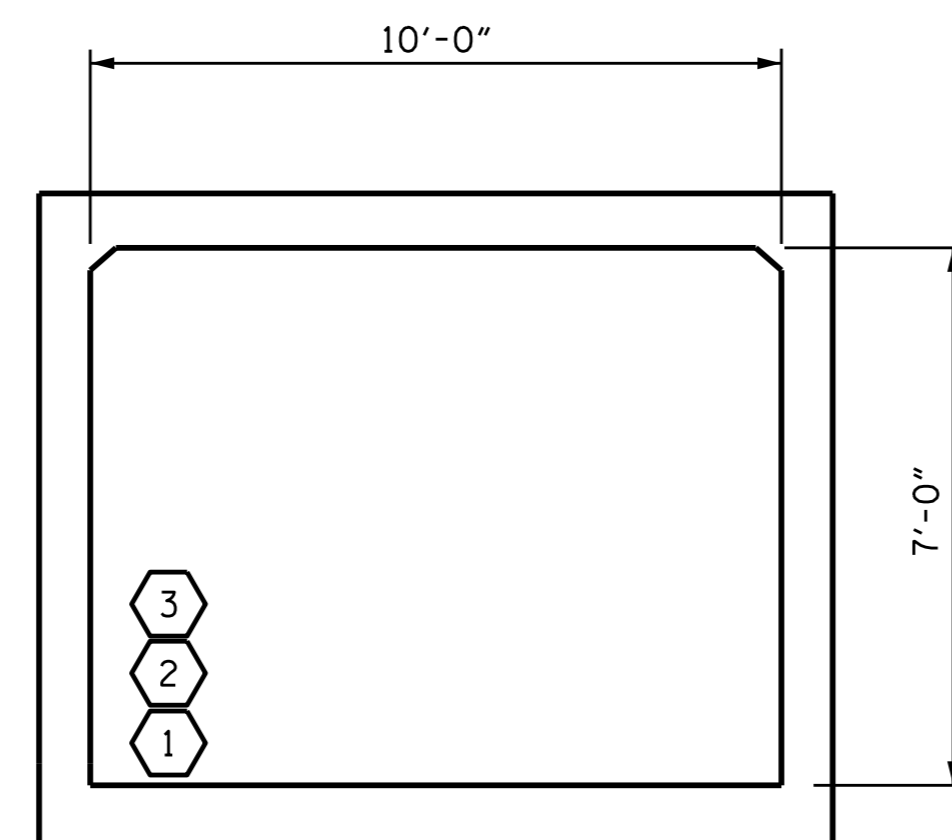
NOTE:

RATING FACTORS ARE BASED ON THE STRENGTH I LIMIT STATE.

COMMENTS:

- 1.
- 2.
- 3.
- 4.

#	CONTROLLING LOAD RATING
①	DESIGN LOAD RATING (HL-93)
②	DESIGN LOAD RATING (HS-20)
③	LEGAL LOAD RATING **
** SEE CHART FOR VEHICLE TYPE	



LRFR SUMMARY
(LOOKING DOWNSTREAM)

PROJECT NO. U-2524D
GUILFORD COUNTY
 STATION: 2+22.93 -SPCY8-

SHEET 5 OF 5



DocuSigned by:
Ting Hsing Yang
7/14/2016

STATE OF NORTH CAROLINA
 DEPARTMENT OF TRANSPORTATION
 RALEIGH
 STANDARD
 LRFR SUMMARY FOR
 REINFORCED CONCRETE
 BOX CULVERTS
 (NON-INTERSTATE TRAFFIC)
 SINGLE BARREL

REVISIONS						SHEET NO.
NO.	BY:	DATE:	NO.	BY:	DATE:	C-27
1			3			TOTAL SHEETS
2			4			34

DOCUMENT NOT CONSIDERED
 FINAL UNLESS ALL
 SIGNATURES COMPLETED

CUL #3

STD. NO. LRFR5

ASSEMBLED BY : P. K. NEWTON	DATE : 7/8/16
CHECKED BY : T. H. FANG	DATE : 7/11/16
DRAWN BY : WMC 7/11	REV. 10/1/11 MAA/GM
CHECKED BY : GM 7/11	